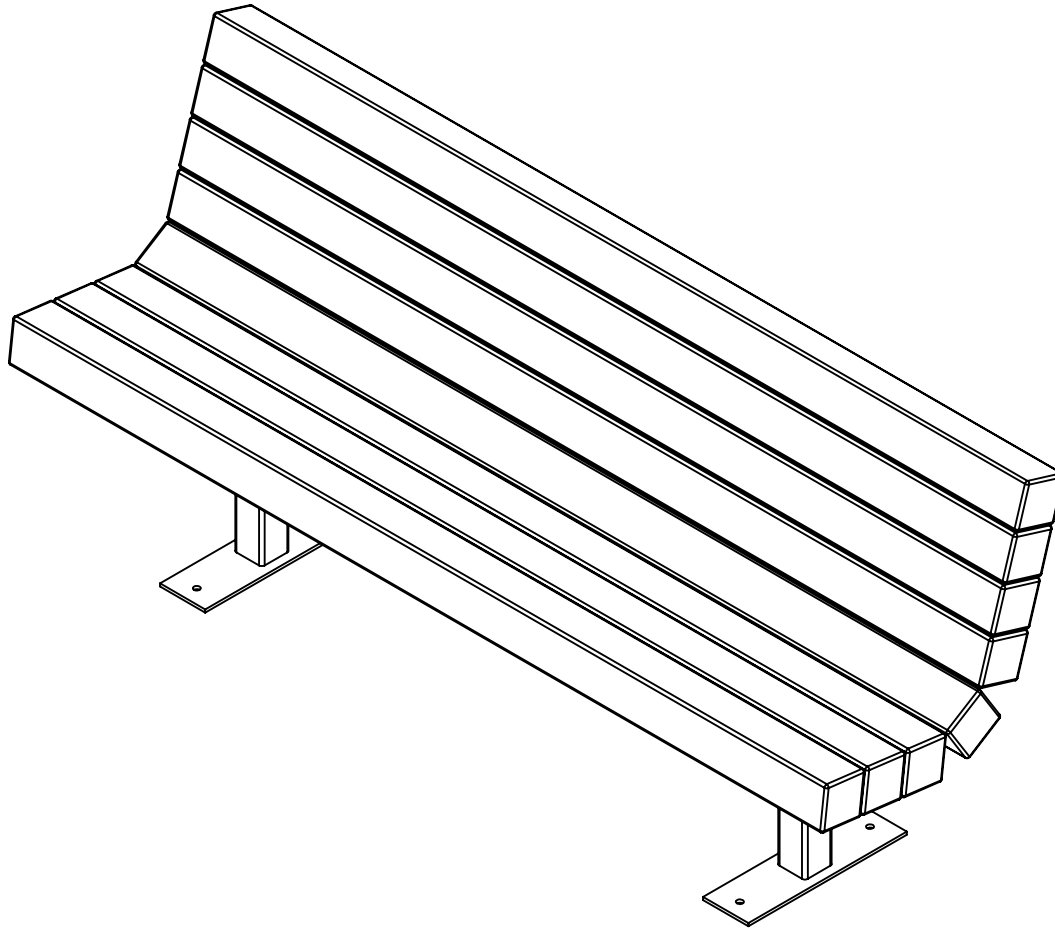


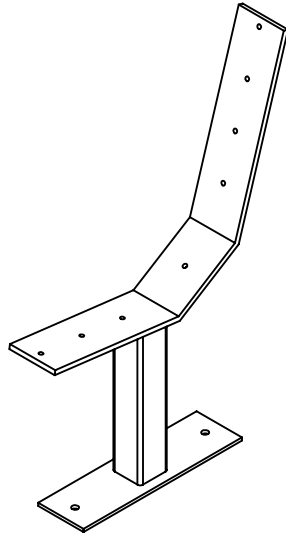
BENCH INSTRUCTIONS

BC1270 REV# 2 7-15-2016

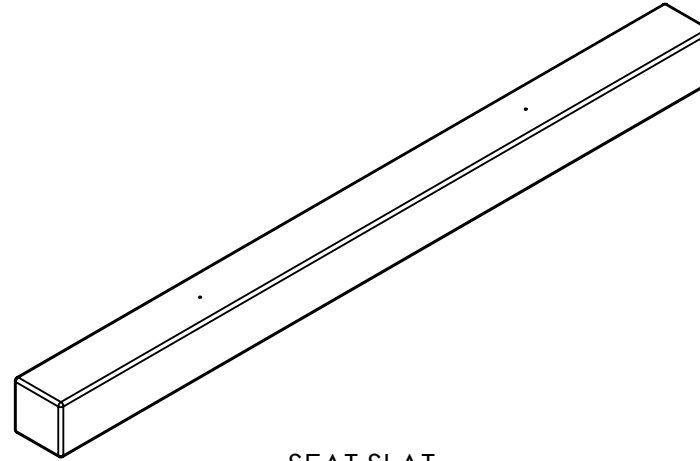
BC1271
BC1272
BC1273
BC1310
BC1311
BC1312
BC1313



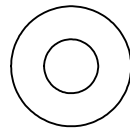
BENCH INSTRUCTIONS



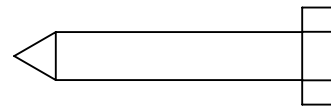
BENCH END
ABC-SS11005
X2



SEAT SLAT
X8



1/4" FLAT WASHER
X16
F0001

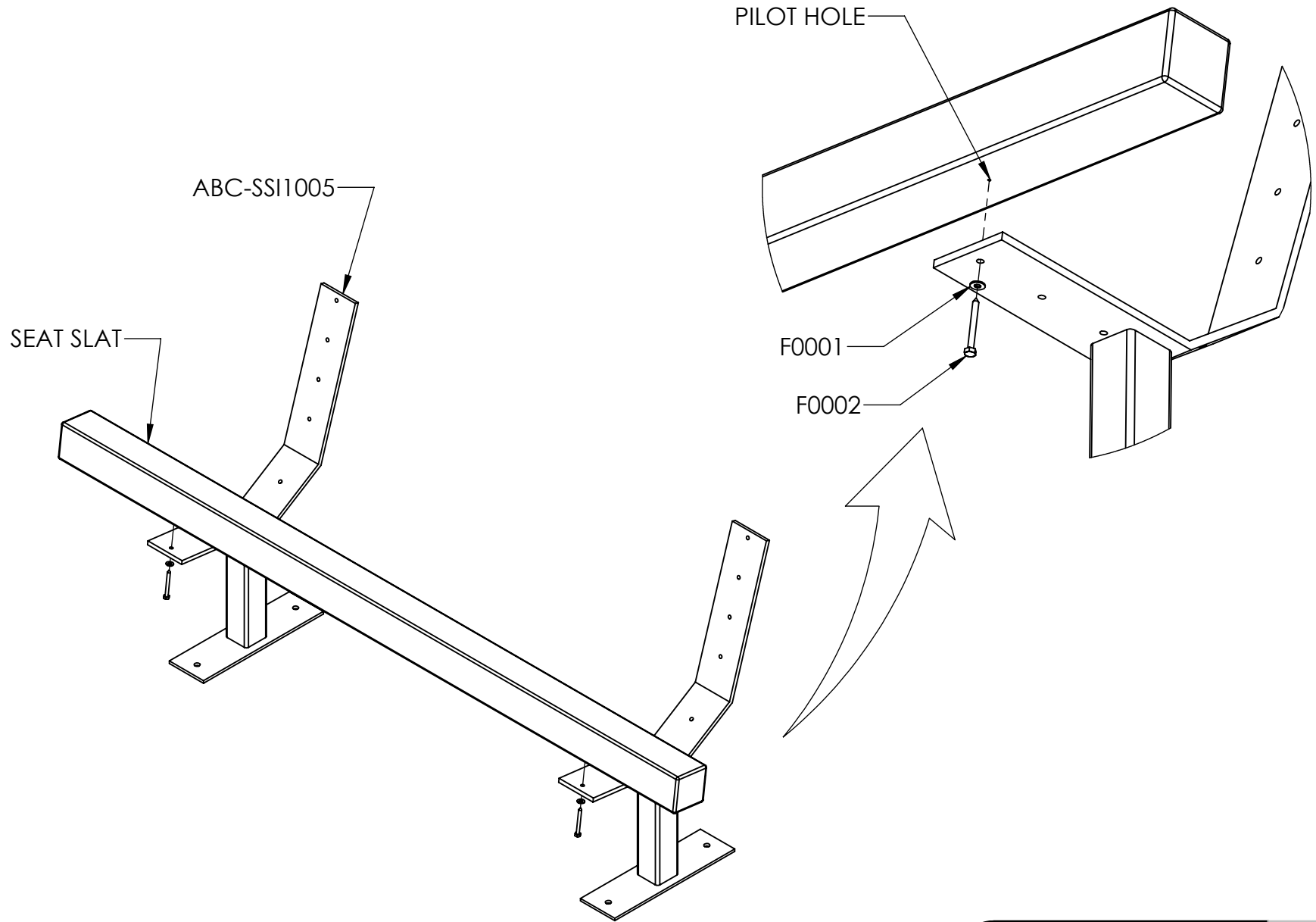


1/4" X 1.50" LAG SCREW
X16
F0002

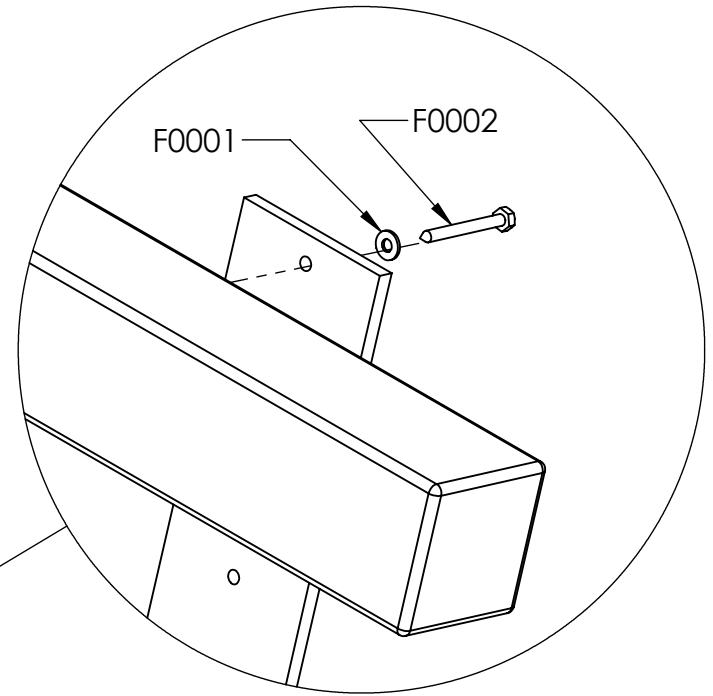
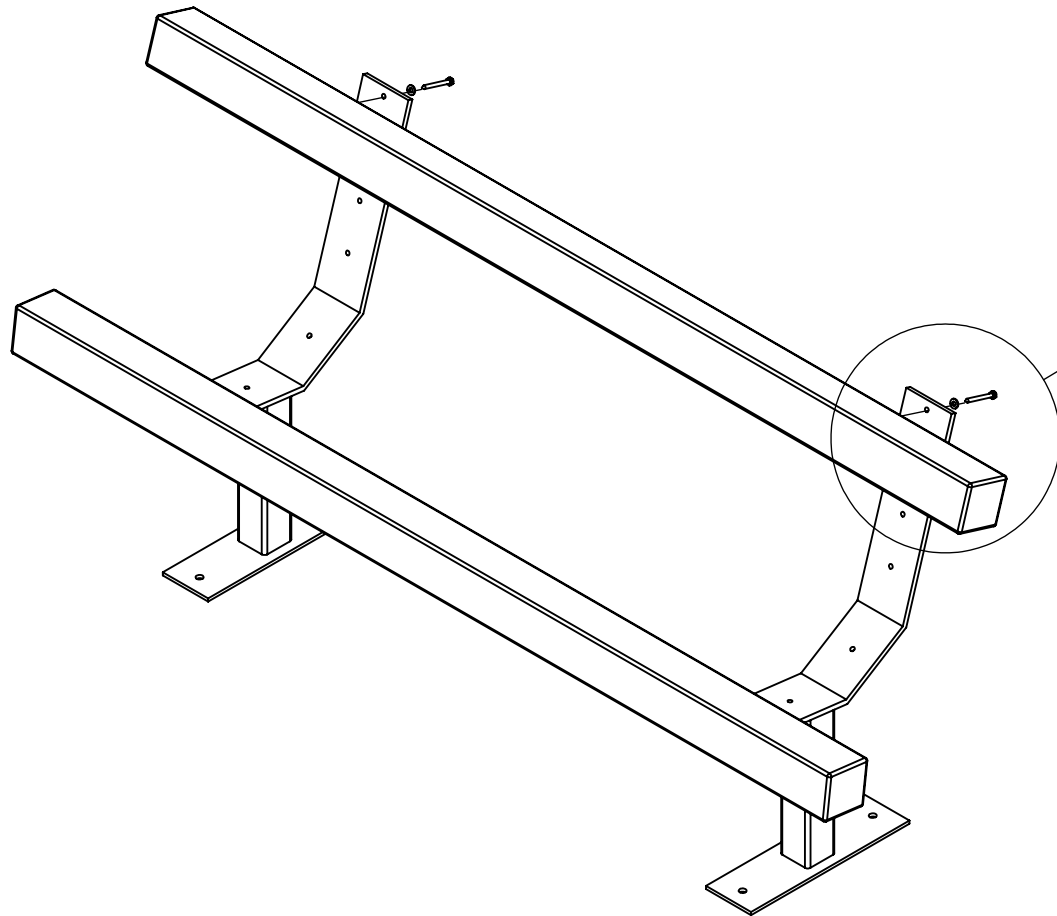
REQUIRED TOOLS:
-(1) SCREW GUN
-(1) 7/16" SOCKET

**INCLUDED HARDWARE &
REQUIRED TOOLS FOR
ASSEMBLY**

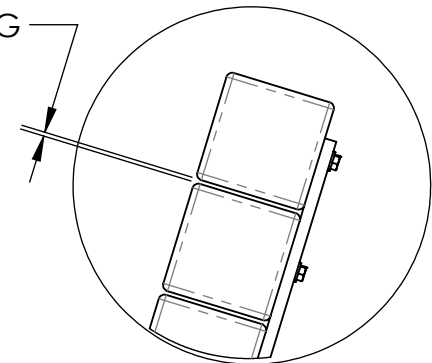
BENCH INSTRUCTIONS



BENCH INSTRUCTIONS



1/8" SPACING



SPACING DETAIL

REPEAT STEP FOR REMAINING SEAT SLATS.

**KEEP SPACING BETWEEN BOARDS
APPROXIMATELY 1/8".**

ATTACH SEAT SLAT

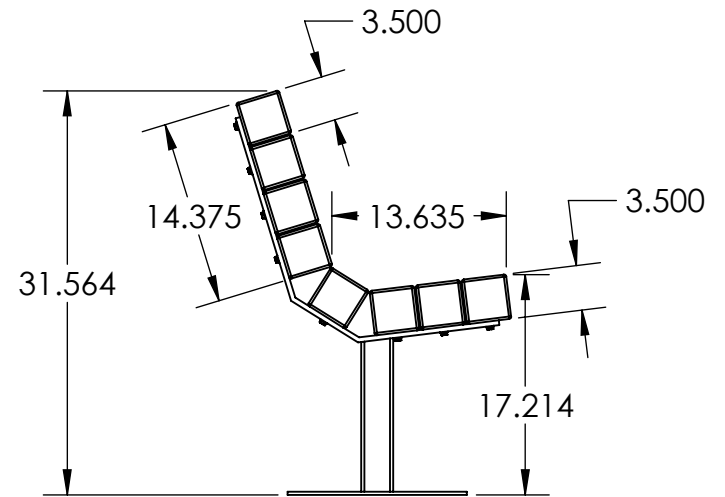
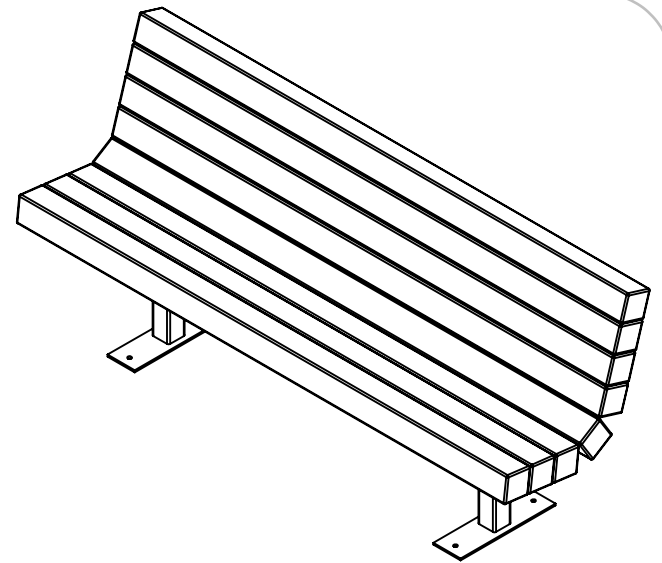
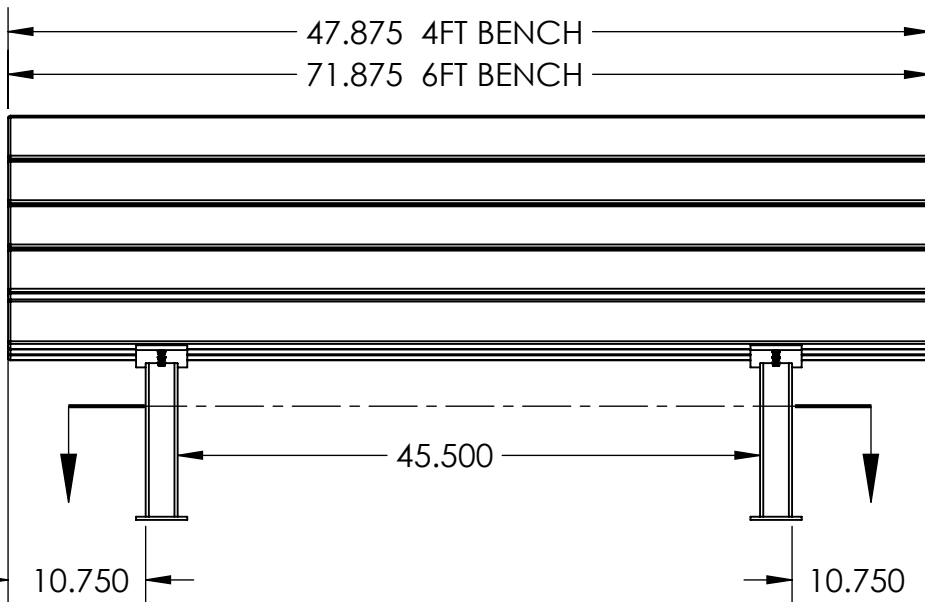
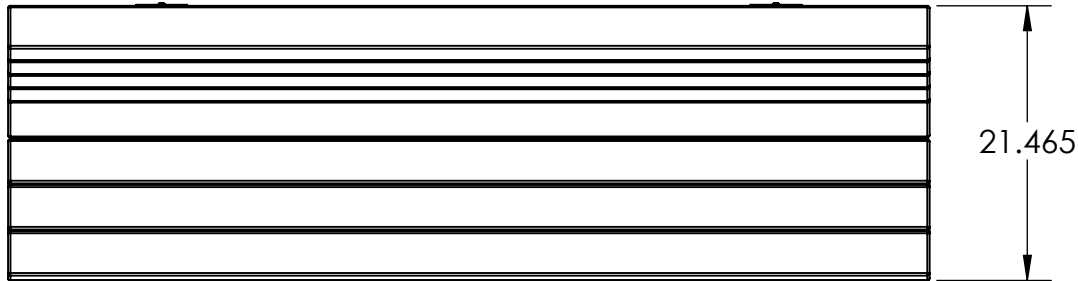
4/5

BENCH SPECIFICATIONS

ALL DIMENSIONS SHOWN IN INCHES

- BC1270
- BC1271
- BC1272
- BC1273
- BC1310
- BC1311
- BC1312
- BC1313

TOP VIEW



CONSTRUCTION MATERIALS:
Recycled Plastic, Powder Coated Steel
HARDWARE:
Stainless Steel

MOUNTING DETAIL

