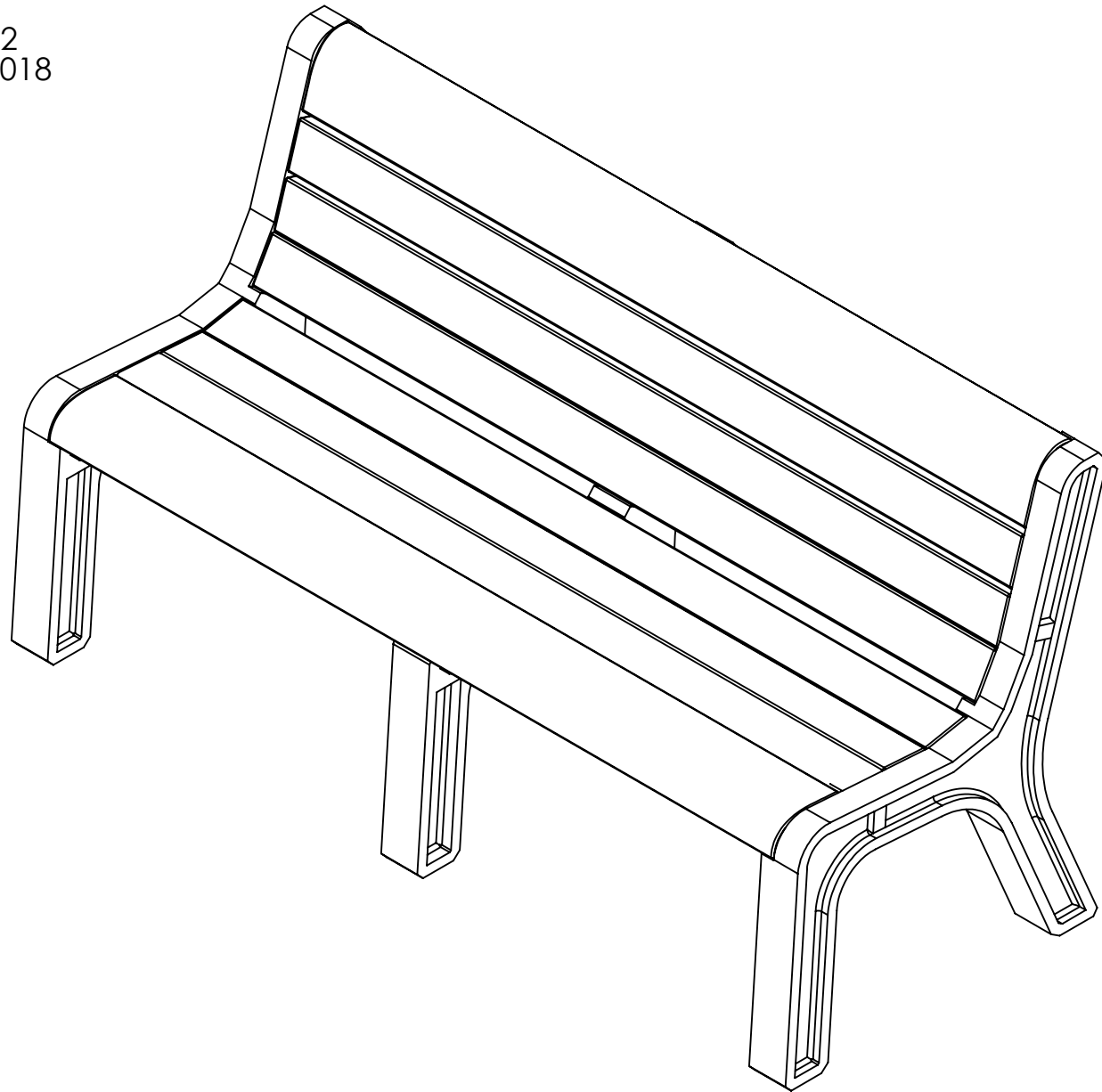


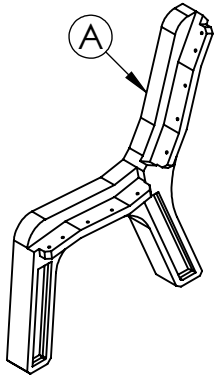
# BENCH INSTRUCTIONS

BC2050  
BC2051  
BC2052  
BC2053  
BC2054

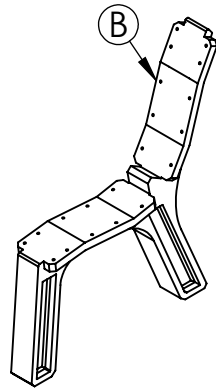
REV# 2  
3/14/2018



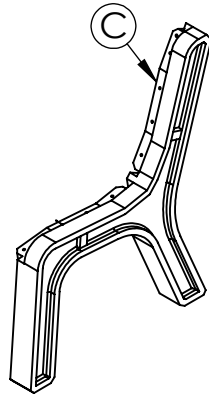
# BENCH INSTRUCTIONS



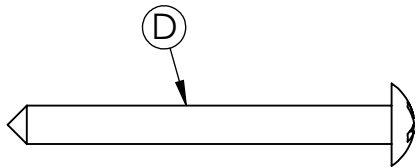
1  
LEFT SIDE  
BENCH END  
PRI7209L



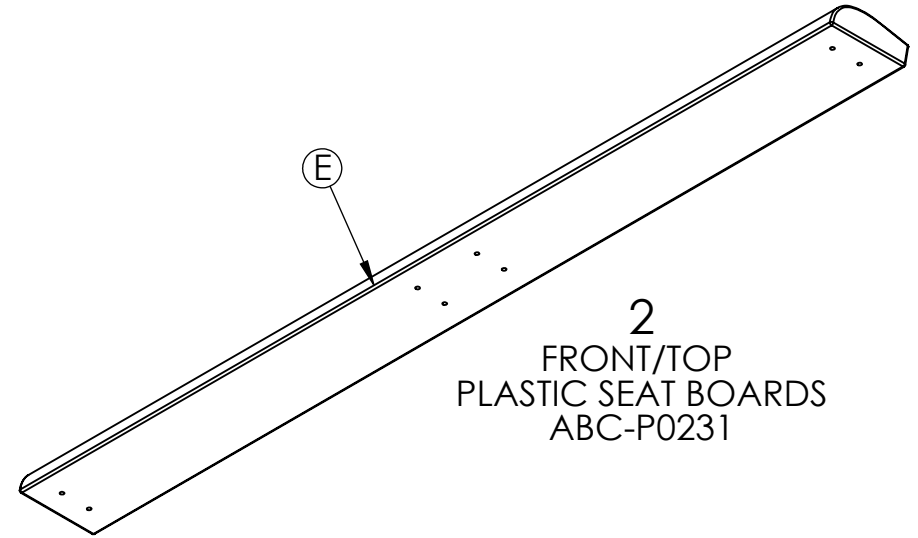
1  
CENTER  
BENCH END  
PRI7209C



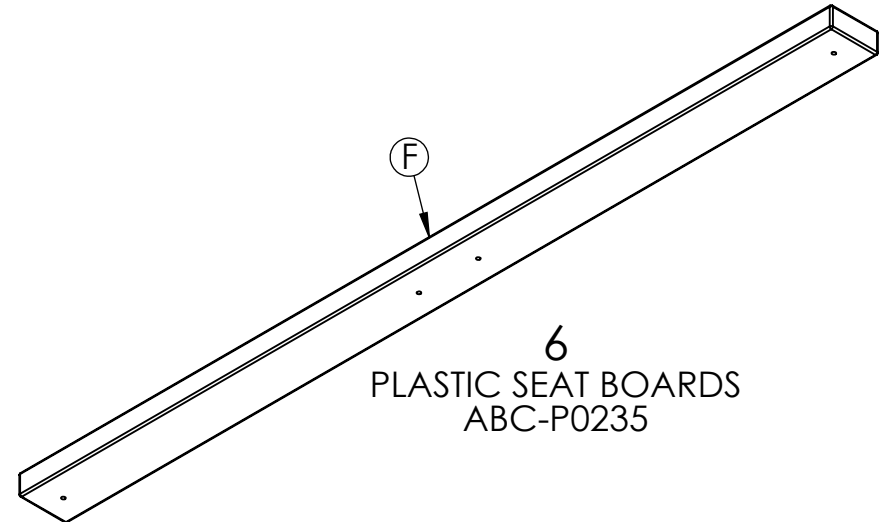
1  
RIGHT SIDE  
BENCH END  
PRI7209R



40  
#12 X 2" PAN HEAD SCREWS  
SMPP012C200A188



2  
FRONT/TOP  
PLASTIC SEAT BOARDS  
ABC-P0231



6  
PLASTIC SEAT BOARDS  
ABC-P0235

## REQUIRED TOOLS (NOT INCLUDED)

- POWER DRILL
- #2 PHILLIPS BIT

**NOTE: IT IS IMPORTANT TO KEEP ALL SCREWS LOOSE DURING ASSEMBLY UNTIL ENTIRE BENCH IS ASSEMBLED**

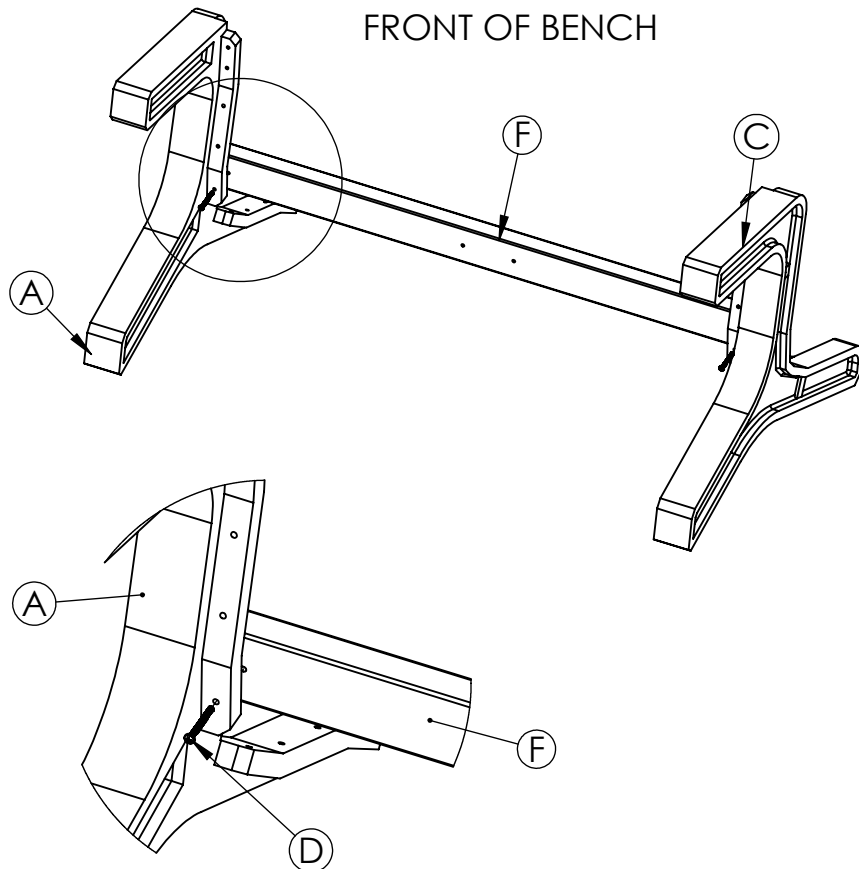
**HARDWARE &  
TOOLS REQUIRED  
FOR ASSEMBLY**

**2/6**

# BENCH INSTRUCTIONS

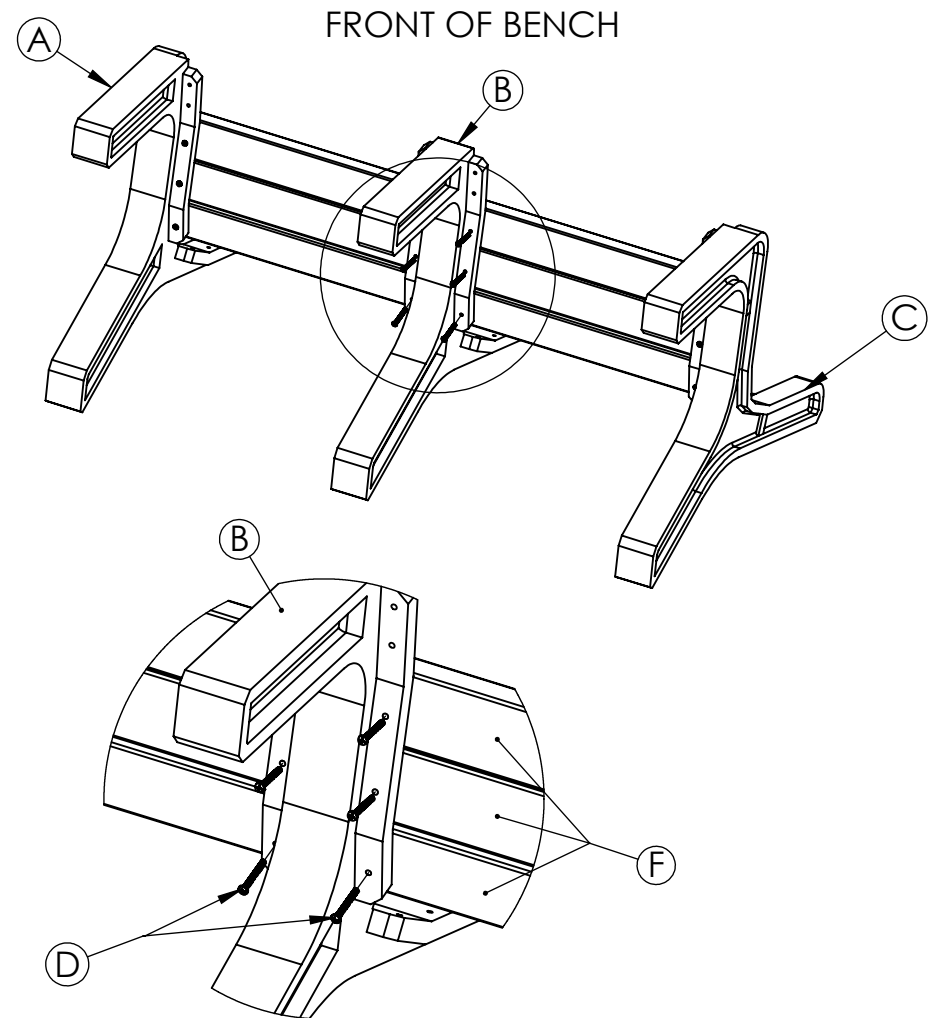
## STEP 1 Seat Assembly

- Lay Left Bench End (A) and Right Bench End (C) on its back with the front legs pointing up
- Lay a Plastic Seat Board (F) over the bench ends (A & C) closest to the rear leg on the seat
- Align the marks in the Plastic Seat Board (F) with the predrilled holes in the Bench Ends (A & C)
- Secure the Plastic Seat Board (F) with the #12 x 2 screws (D)
- Repeat for 2 more Plastic Seat Boards (F) starting at the rear and working toward the front



## STEP 2 Seat Assembly

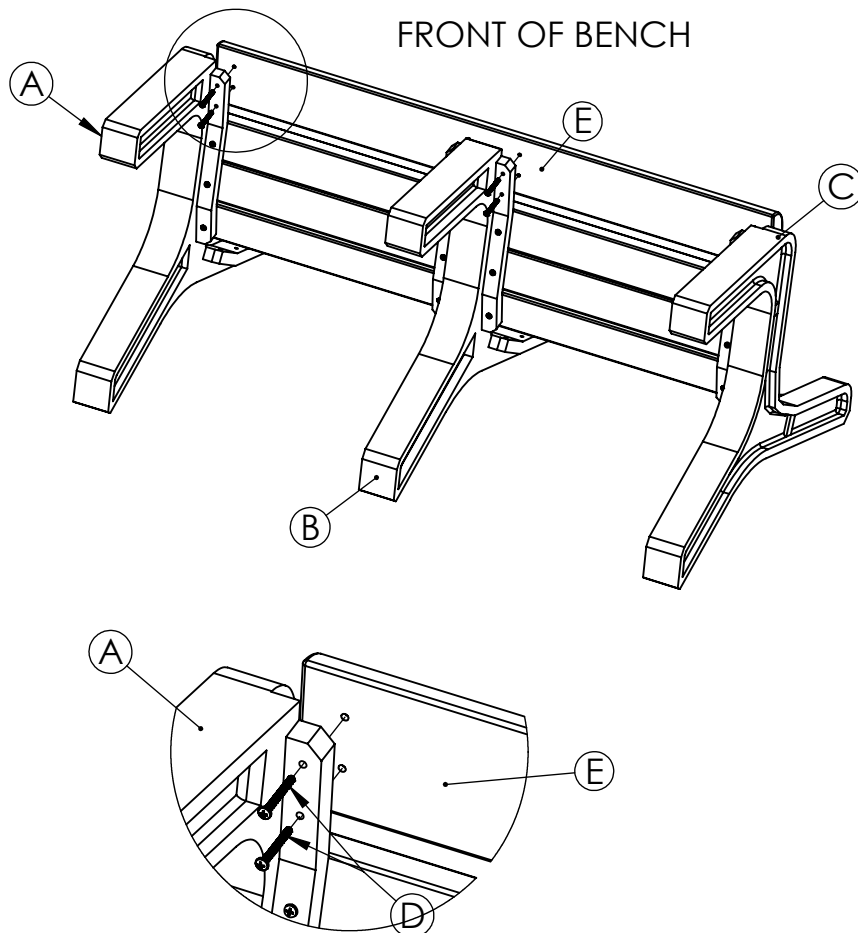
- With the bench still on its back, lay the Center Bench End (B) onto Plastic Seat Boards (F)
- Align the marks in the Plastic Seat Board (F) with the predrilled holes in the Center Bench End (B)
- Secure the three Plastic Seat Boards (F) with the #12 x 2 screws (D) to the Center Bench End (B)



# BENCH INSTRUCTIONS

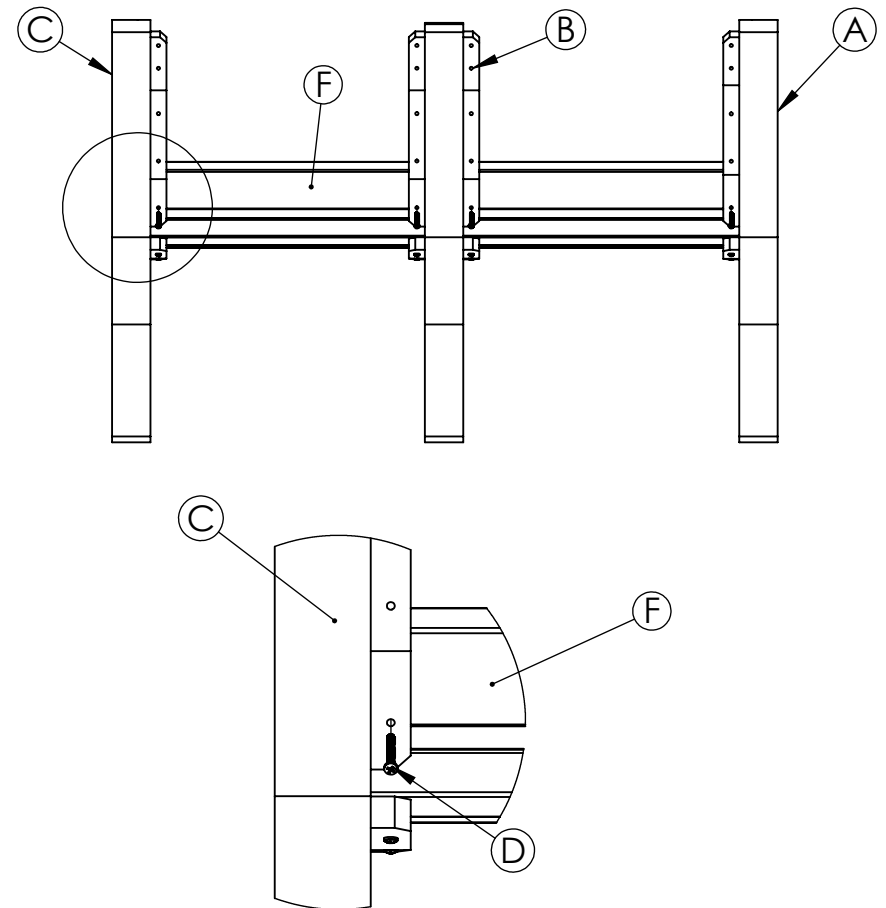
## STEP 3 Seat Assembly

- With the bench still on its back, lay the Front/Top Plastic Seat Board (E) onto the Bench Ends (A,B,C)
- Align the marks in the Plastic Seat Board (E) with the predrilled holes in the Bench Ends (A,B,C)
- Secure the three Plastic Seat Boards (F) with the #12 x 2 screws (D) to the Bench Ends (A,B,C)



## STEP 4 Back Assembly

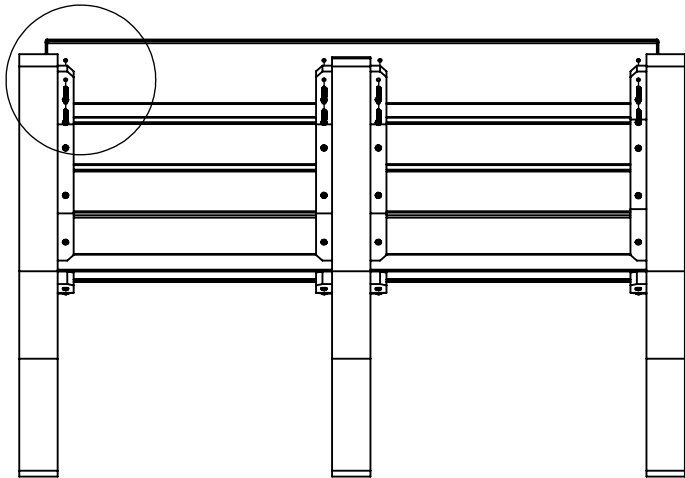
- Turn bench upright
- Lay a Plastic Seat Board (F) over the bench ends (A,B,C) closest to the seat
- Align the marks in the Plastic Seat Board (F) with the predrilled holes in the Bench Ends (A,B,C)
- Secure the Plastic Seat Board (F) with the #12 x 2 screws (D)
- Repeat for 2 more Plastic Seat Boards (F) starting at the seat and working toward the top



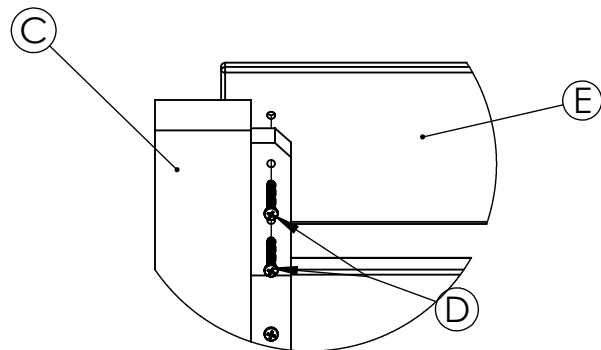
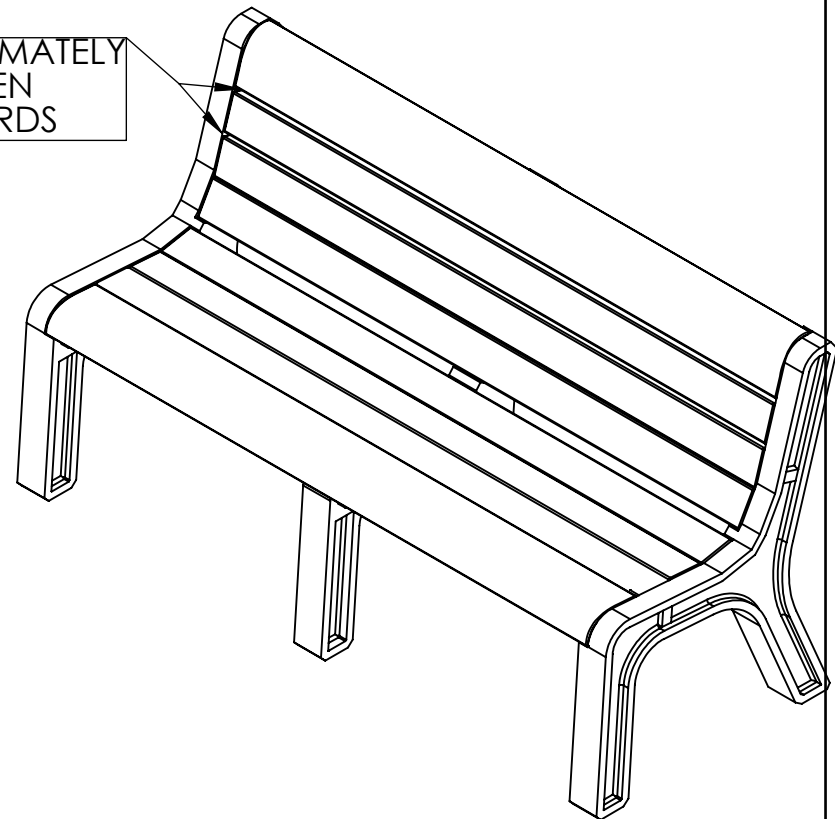
# BENCH INSTRUCTIONS

## STEP 5 Back Assembly

- Lay a Front/Top Plastic Seat Board (E) over the bench ends (A,B,C) at the top of the bench
- Align the marks in the Front/Top Plastic Seat Board (F) with the predrilled holes in the Bench Ends (A,B,C)
- Secure the Front/Top Plastic Seat Board (F) with the #12 x 2 screws (D)



**NOTE:** THERE IS APPROXIMATELY A 0.5" GAP BETWEEN THE TOP THREE BOARDS

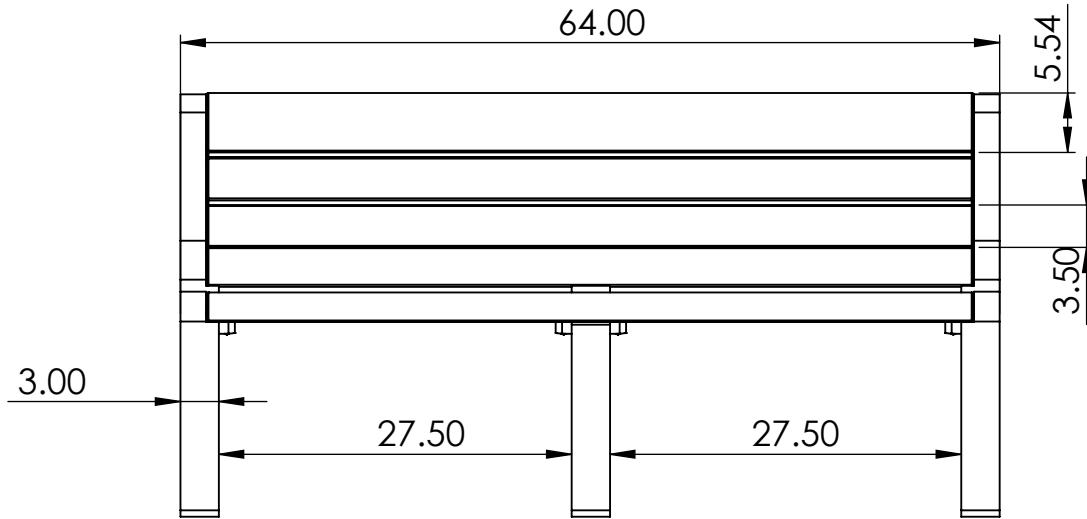
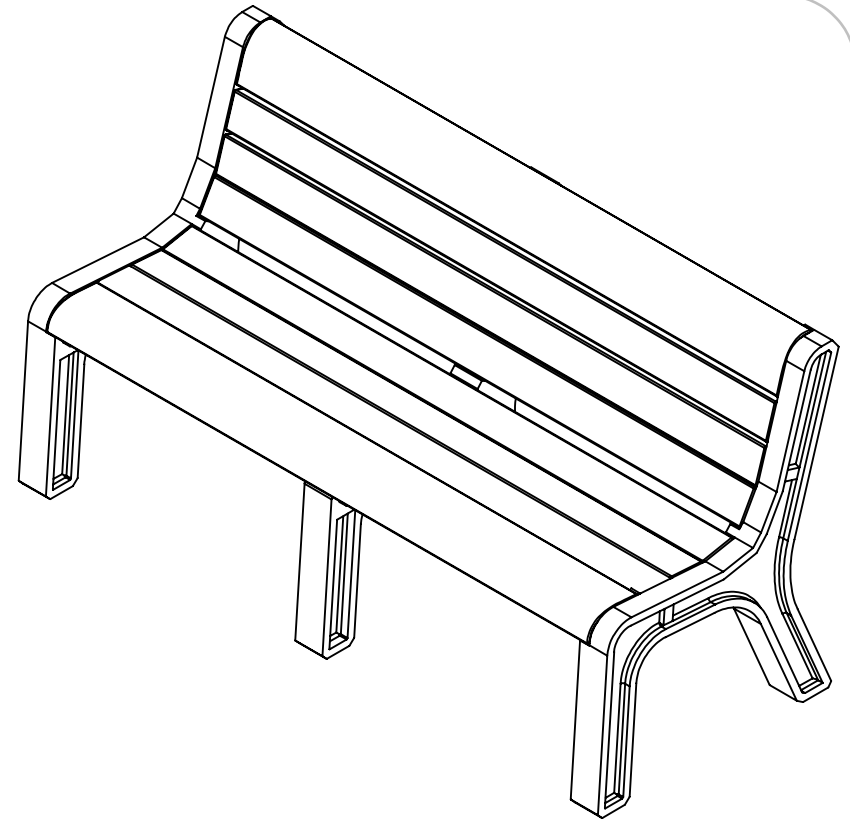
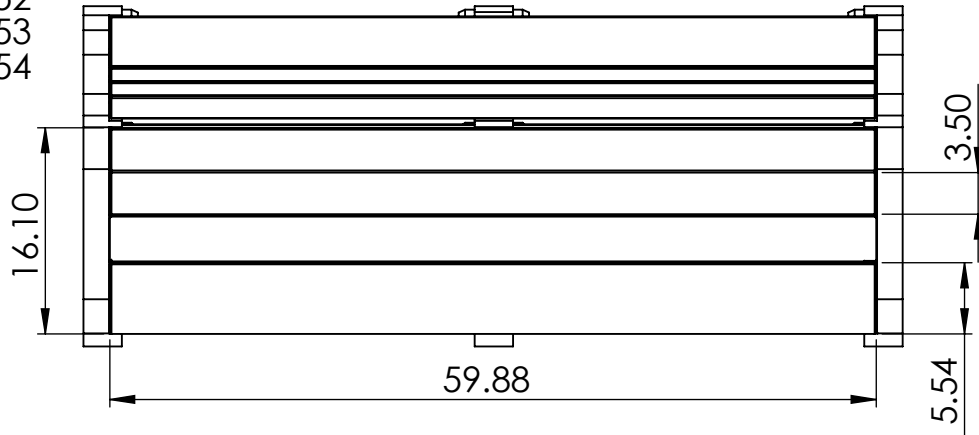


# BENCH SPECIFICATIONS

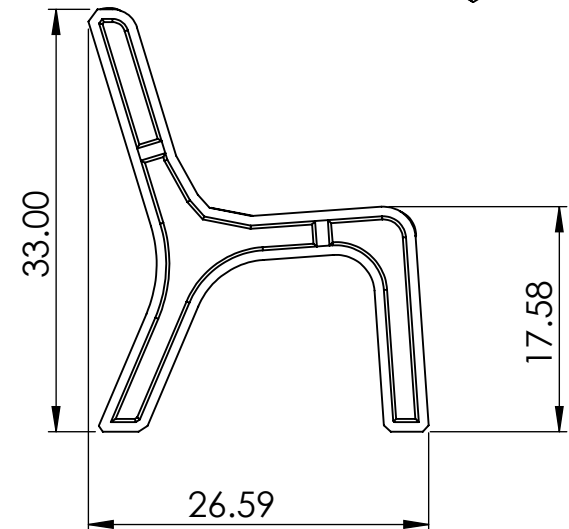
REV# 2  
3/14/2018

BC2050  
BC2051  
BC2052  
BC2053  
BC2054

**TOP**



**FRONT**



**SIDE**

**CONSTRUCTION MATERIALS:**  
Recycled Plastic  
**HARDWARE:**  
Stainless Steel

ALL DIMENSIONS ARE SHOWN IN INCHES