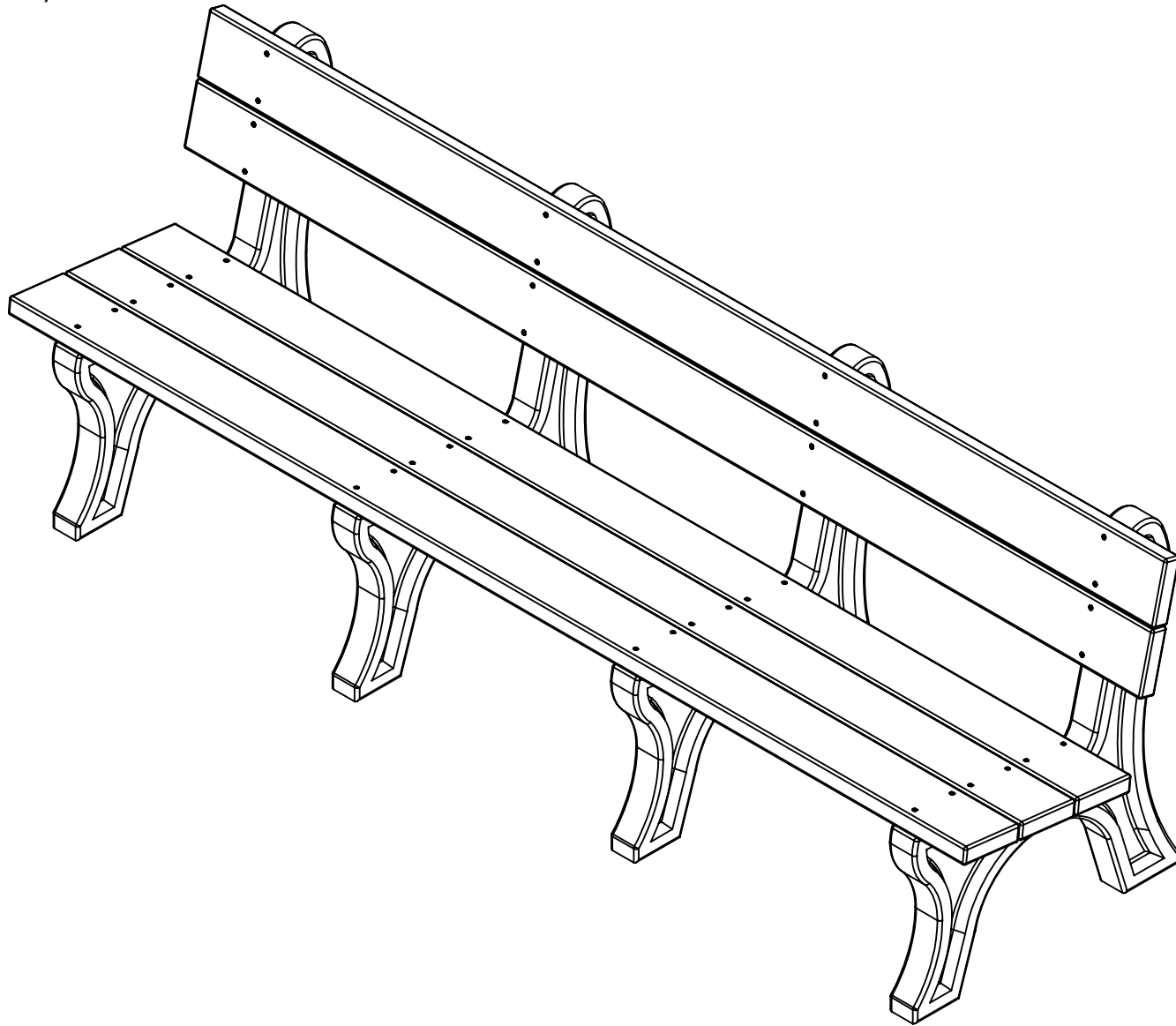


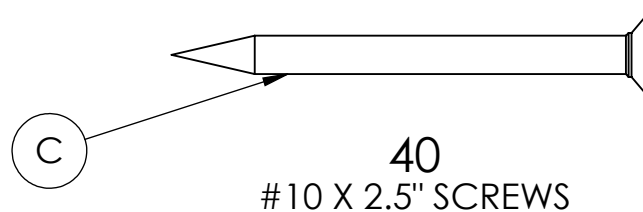
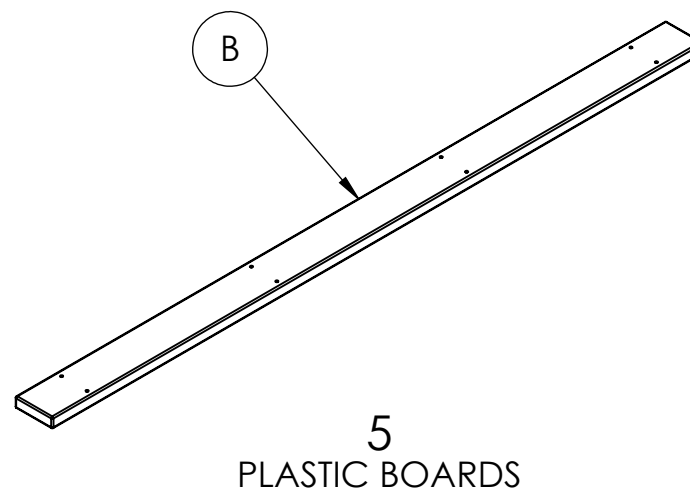
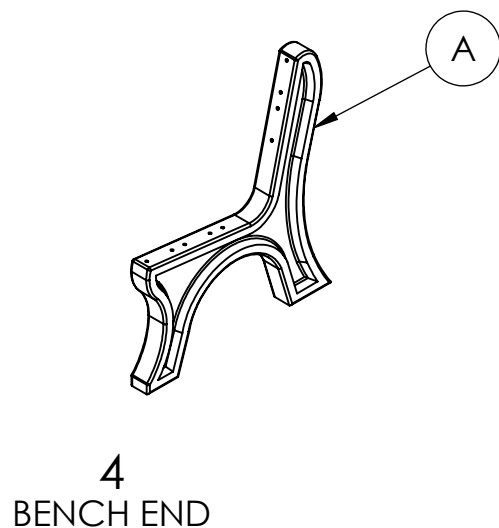
BENCH INSTRUCTIONS

BC1475
BC1495
BC1500
BC1515
BC1520

REV# 3
1/22/2018



BENCH INSTRUCTIONS



REQUIRED TOOLS (NOT INCLUDED)

- POWER DRILL
- #2 SQUARE DRIVE

NOTE: IT IS IMPORTANT TO KEEP ALL SCREWS LOOSE DURING ASSEMBLY UNTIL ENTIRE BENCH IS ASSEMBLED

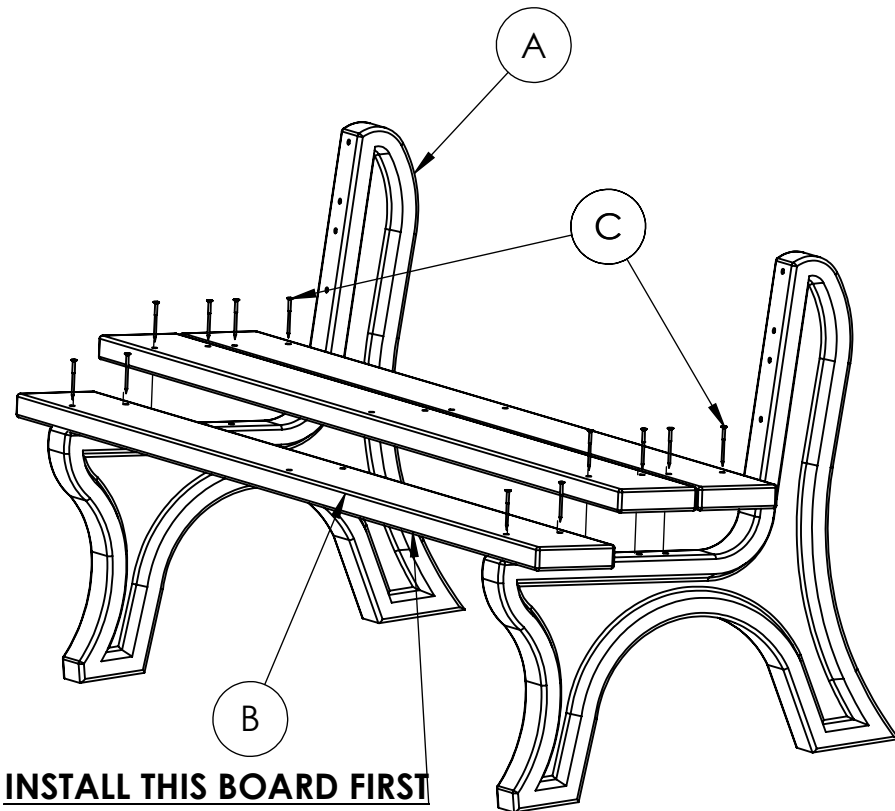
**HARDWARE &
TOOLS REQUIRED
FOR ASSEMBLY**

2/5

BENCH INSTRUCTIONS

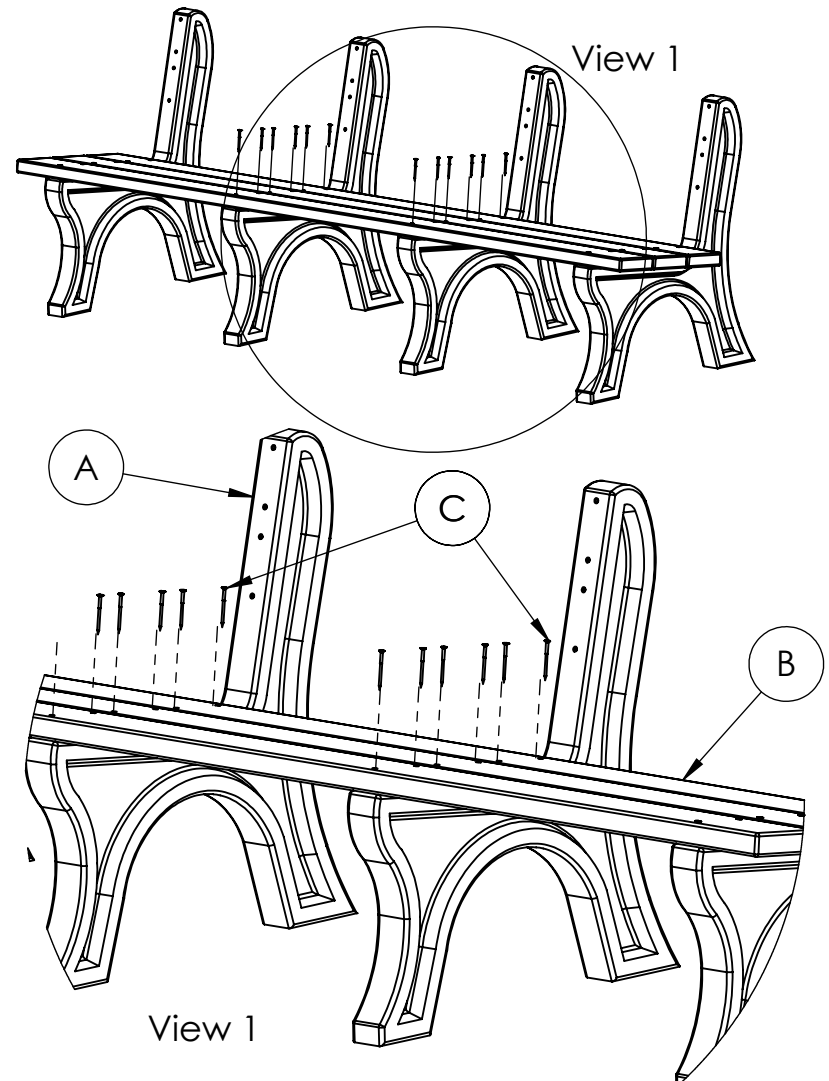
STEP 1 Seat Assembly

- Stand two outer bench ends (A) upright
- Lay a plastic board (B) over the bench ends (A) closest to the end
- Align the holes in the plastic board with the predrilled holes in the bench ends
- Secure the board with the #10 x 2.5" screws (C)
- Repeat for each plastic board starting at the front seat board and working toward the back



STEP 2 Seat Assembly

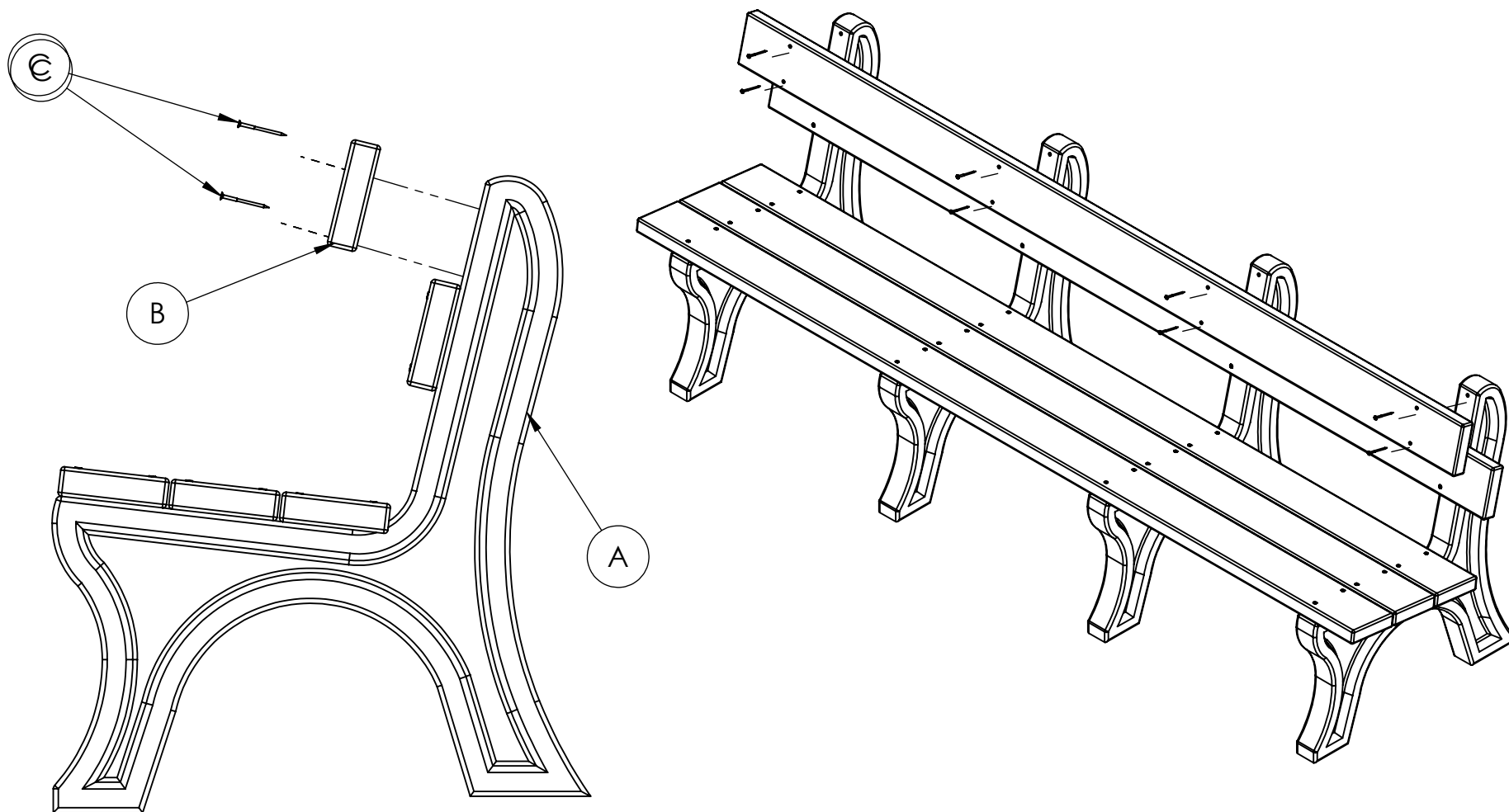
- Move the remaining bench ends (A) under the bench seat
- Align the predrilled holes in the bench ends with holes in the plastic board (B)
- Secure each plastic board to the bench ends with #10 x 2.5" screws (C)



BENCH INSTRUCTIONS

STEP 3 Backrest Assembly

- Hold a plastic board (B) up to the back rest portion of the bench end (A)
- Align the predrilled holes in the bench end (A) with holes in the plastic board (B)
- Secure each plastic board to the bench end with #10 x 2.5" screws (C)
- Square all components and tighten all screws

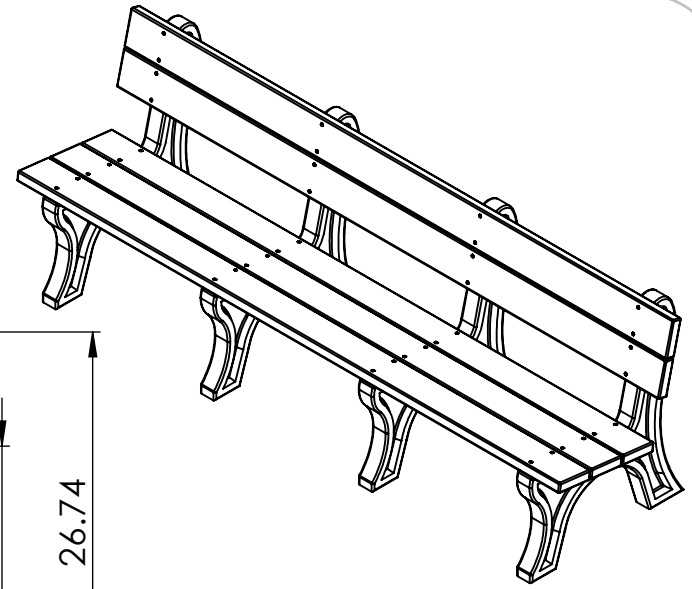
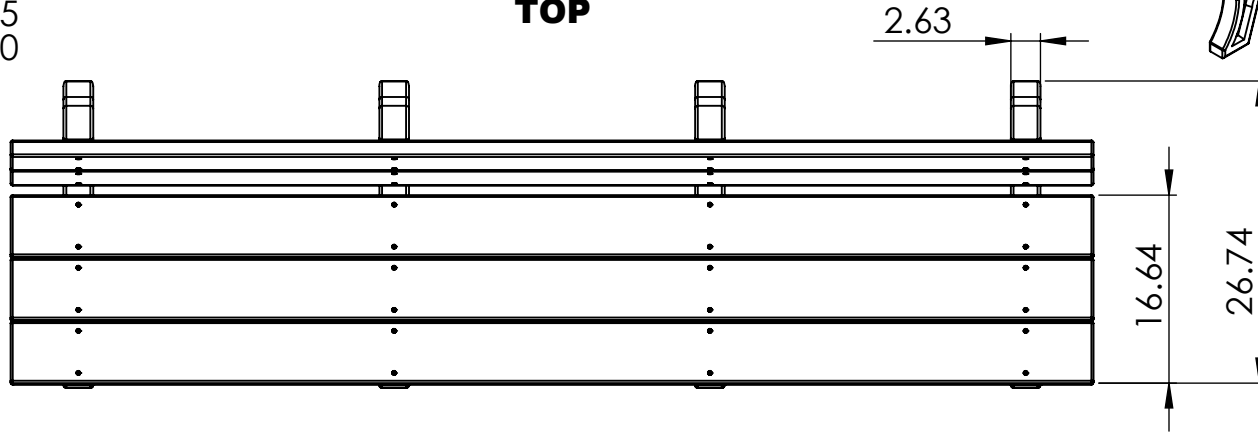


BENCH SPECIFICATIONS

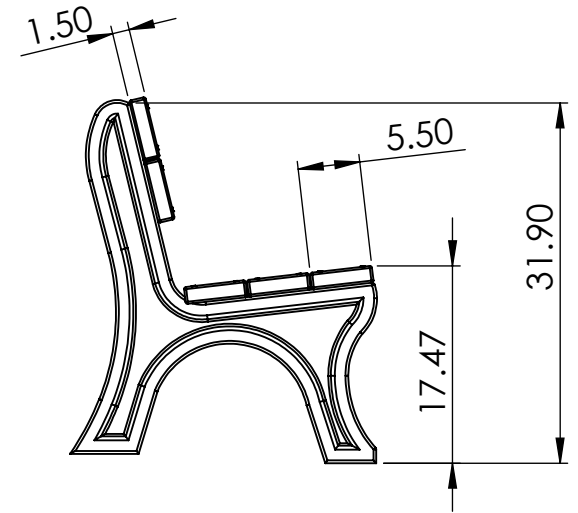
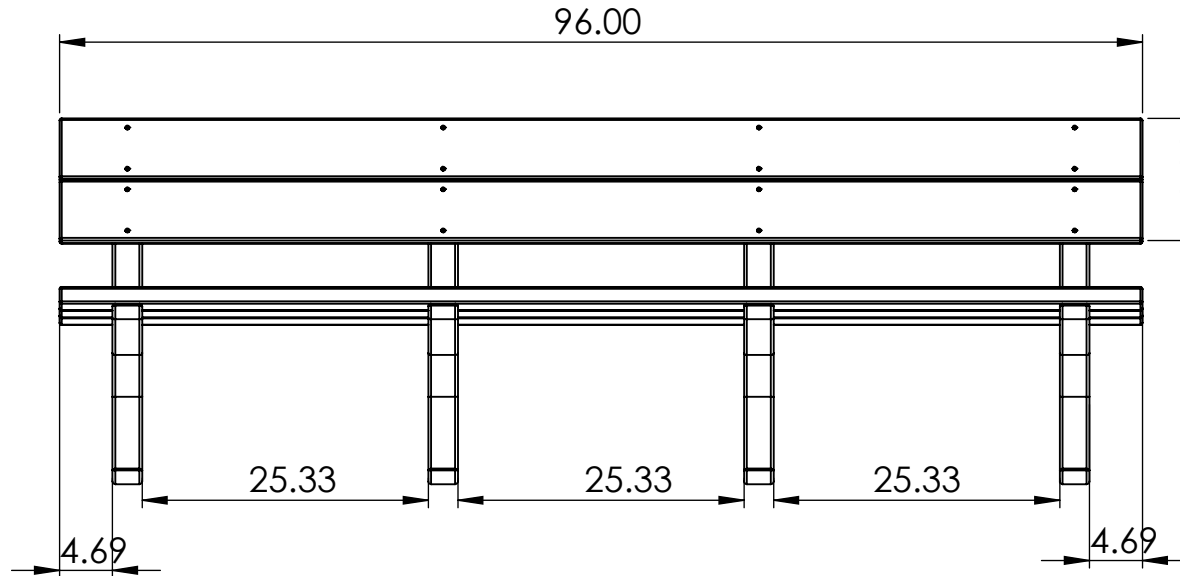
REV# 3
1/22/2018

BC1475
BC1495
BC1500
BC1515
BC1520

TOP



FRONT



SIDE

CONSTRUCTION MATERIALS:
Recycled Plastic
HARDWARE:
Stainless Steel

ALL DIMENSIONS ARE SHOWN IN INCHES