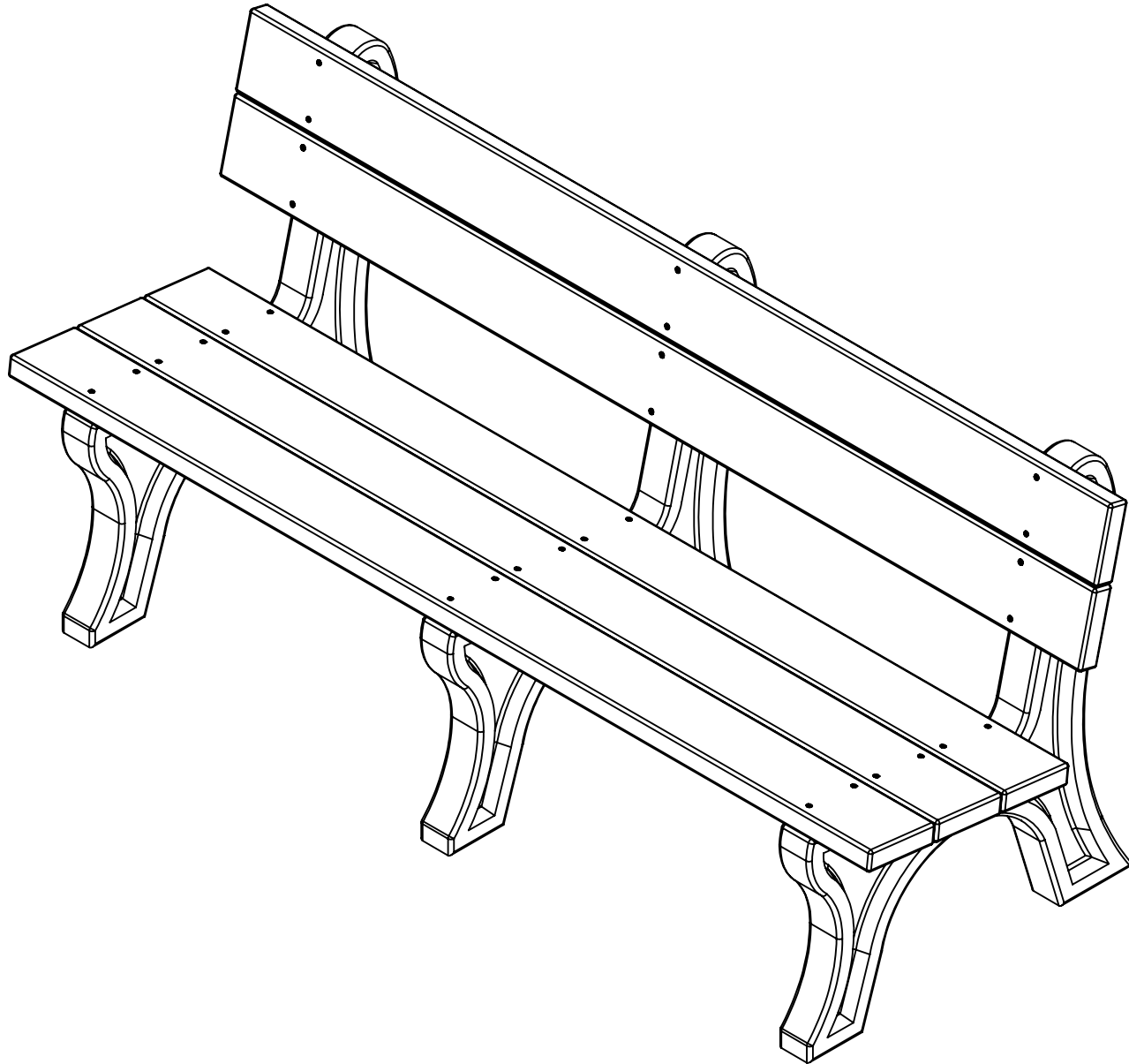


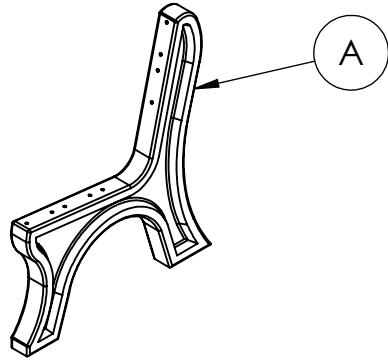
BENCH INSTRUCTIONS

BC1465
BC1470
BC1481
BC1482
BC1485
BC1490
BC1501
BC1502
BC1505
BC1510
BC1550

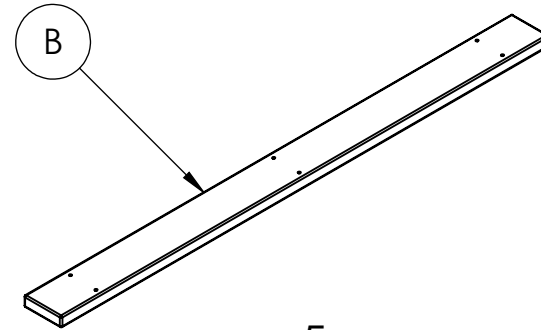
REV# 4
1/22/2018



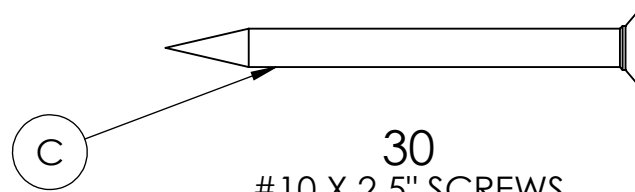
BENCH INSTRUCTIONS



3
BENCH END



5
PLASTIC BOARDS



30
#10 X 2.5" SCREWS

REQUIRED TOOLS (NOT INCLUDED)

- POWER DRILL
- #2 SQUARE DRIVE

NOTE: IT IS IMPORTANT TO KEEP ALL SCREWS LOOSE DURING ASSEMBLY UNTIL ENTIRE BENCH IS ASSEMBLED

**HARDWARE &
TOOLS REQUIRED
FOR ASSEMBLY**

2/6

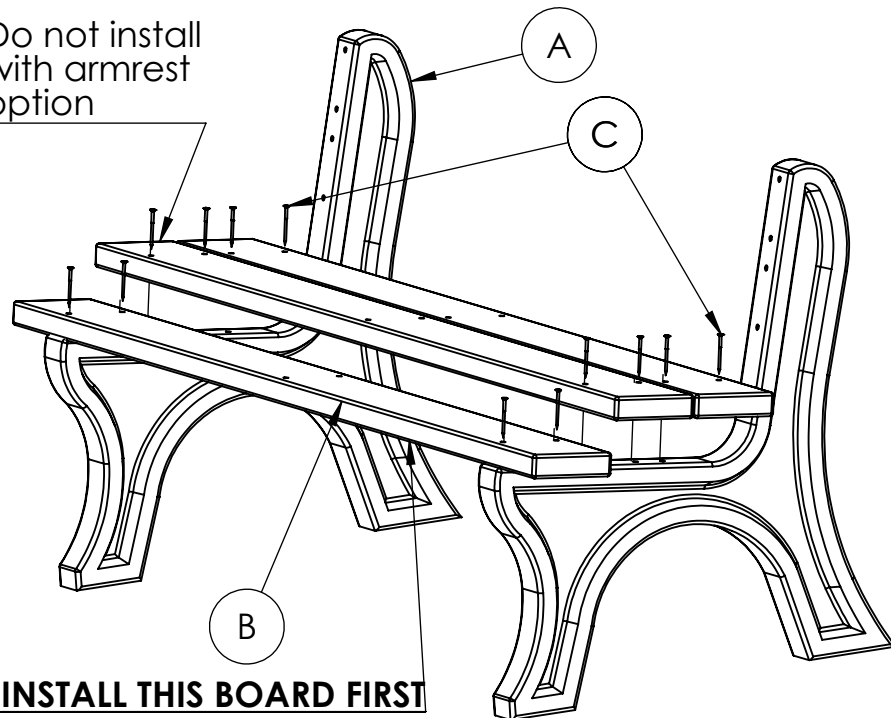
BENCH INSTRUCTIONS

STEP 1 Seat Assembly

- Stand two outer bench ends (A) upright
- Lay a plastic board (B) over the bench ends (A) closest to the end
- Align the holes in the plastic board with the predrilled holes in the bench ends
- Secure the board with the #10 x 2.5" screws (C)
- Repeat for each plastic board starting at the front seat board and working toward the back

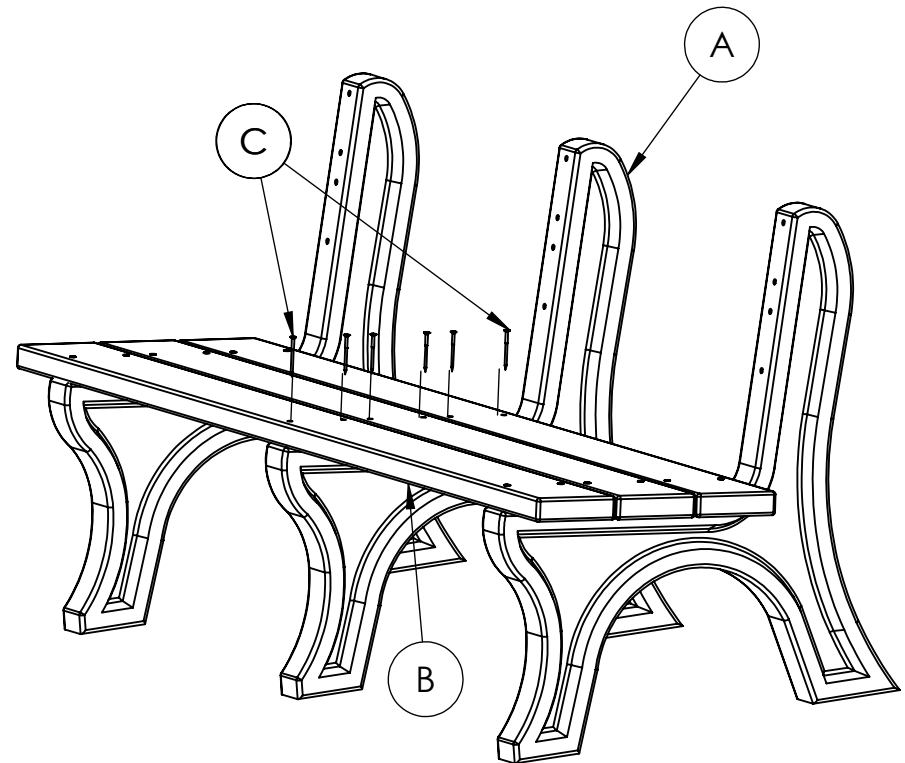
**IF INSTALLING ARMRESTS -
DO NOT INSTALL CENTER SEAT BOARD**

Do not install
with armrest
option



STEP 2 Seat Assembly

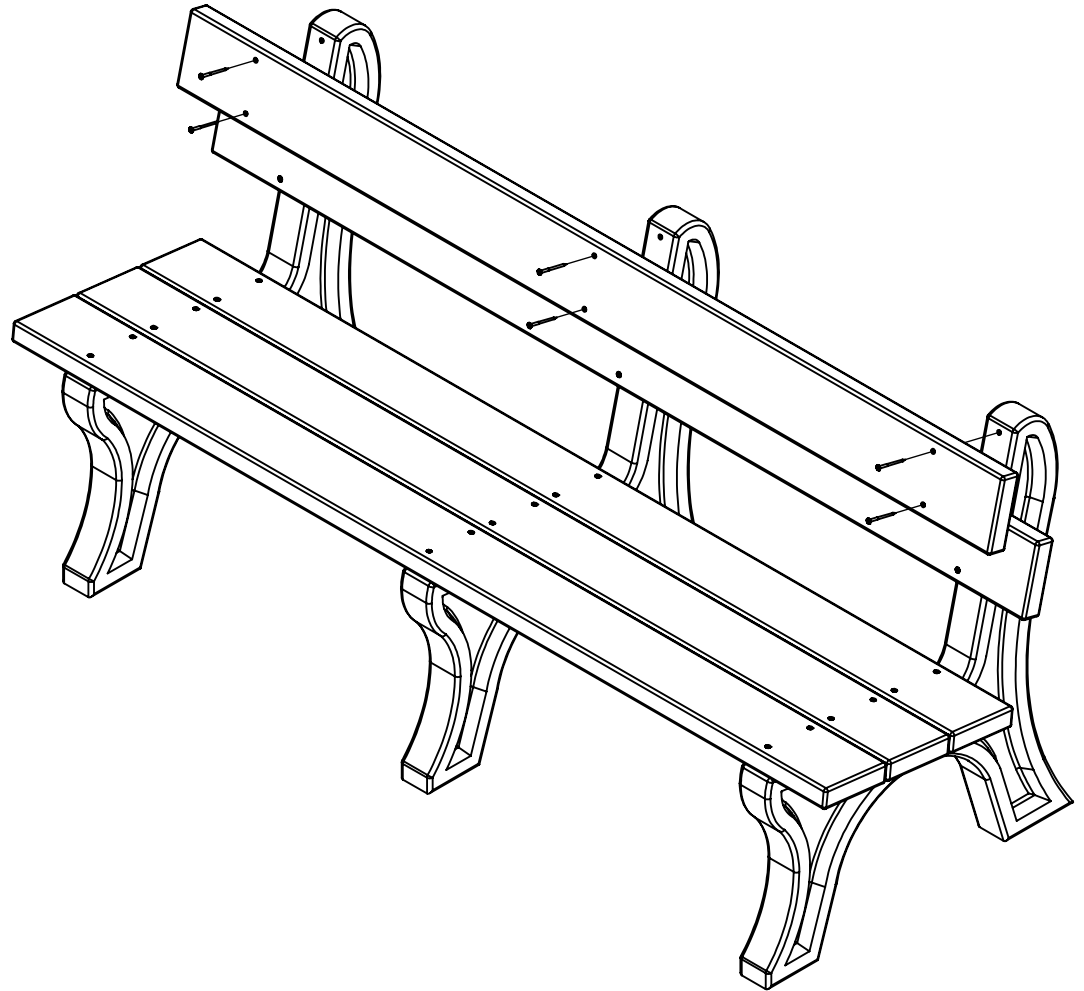
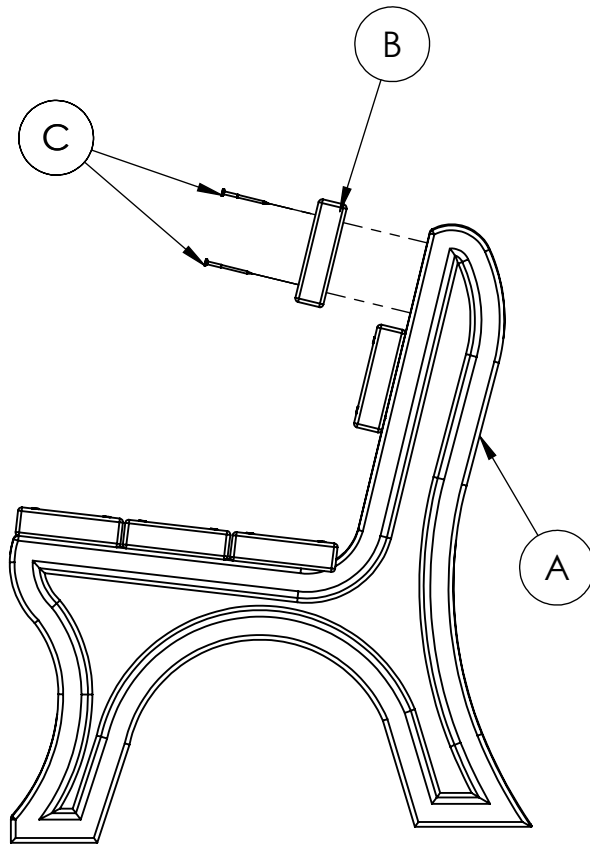
- Move the remaining bench end (A) to the center of the bench
- Align the predrilled holes in the bench end with holes in the plastic board (B)
- Secure each plastic board to the bench end with #10 x 2.5" screws (C)



BENCH INSTRUCTIONS

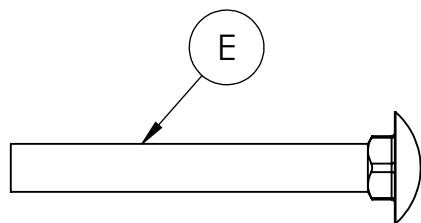
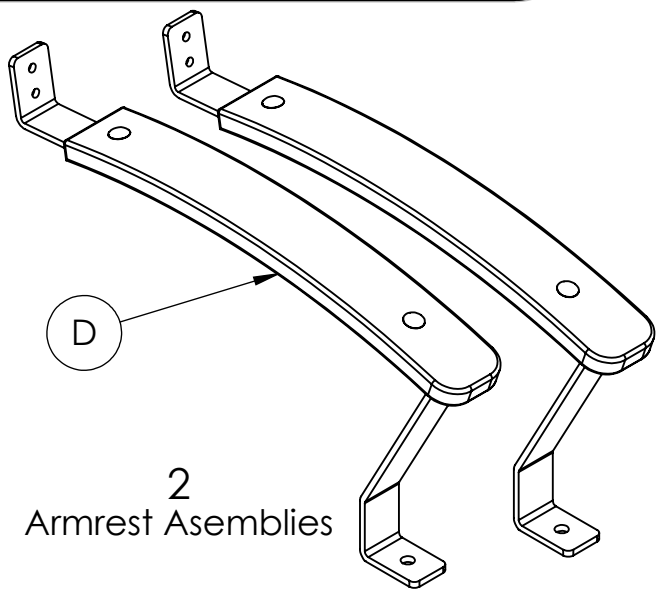
STEP 3 Backrest Assembly

- Hold a plastic board (B) up to the back rest portion of the bench end (A)
- Align the predrilled holes in the bench end (A) with holes in the plastic board (B)
- Secure each plastic board to the bench end with #10 x 2.5" screws (C)
- Square all components and tighten all screws

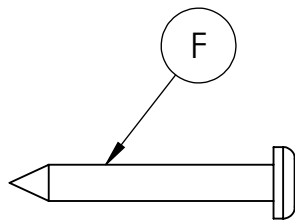


ARMREST INSTRUCTIONS

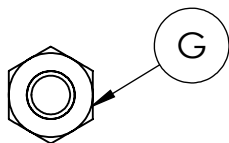
(OPTIONAL)
ABC9502



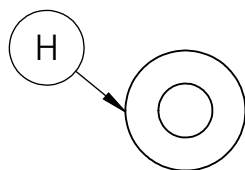
2
1/4" Carriage Bolts



4
#12 Pan Head Screws



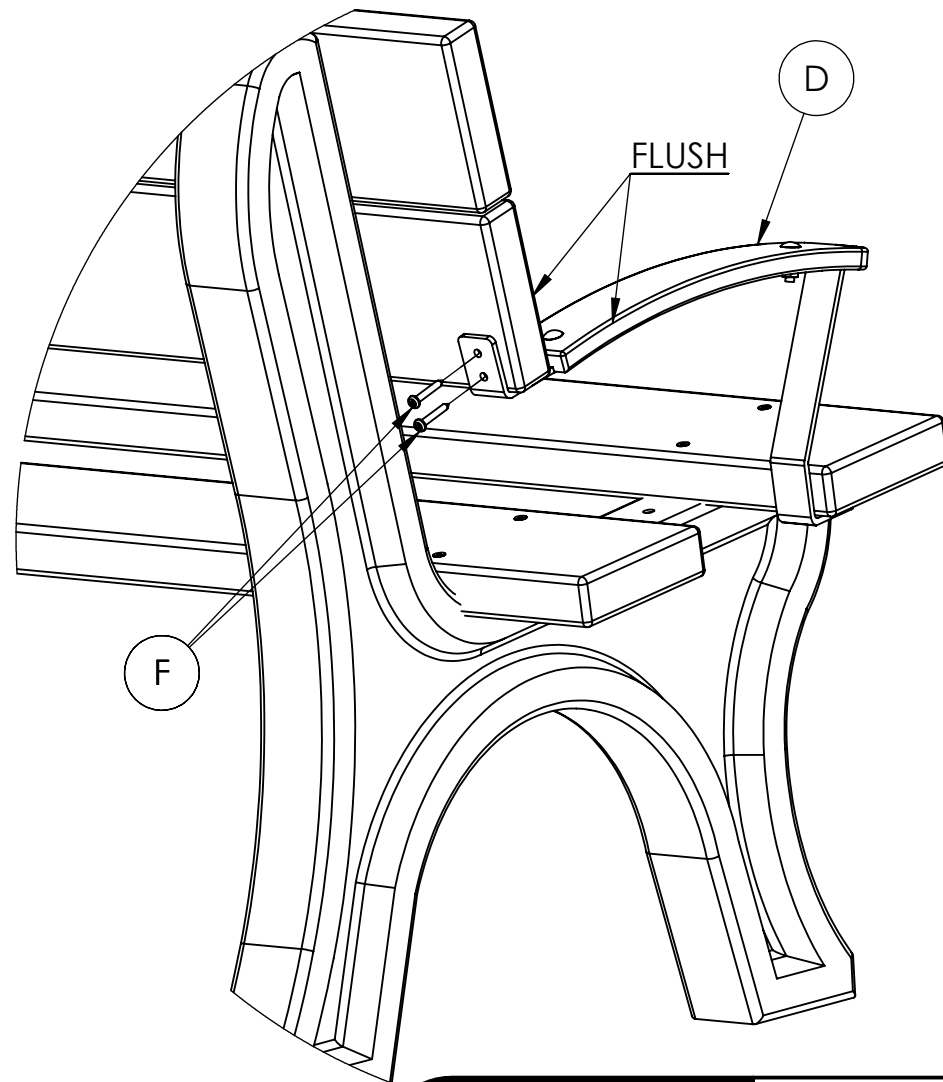
2
1/4" Hex Nuts



2
1/4" Flat Washers

STEP 4 Attach Armrests

- Hold the armrest (D) against the backrest so the plastic on the armrest is flush with the seat back
- Check that the armrest is square with the seat back and flush with the bottom of the board
- Attach the armrest to the seat back with (2) #12 pan head screws (F)



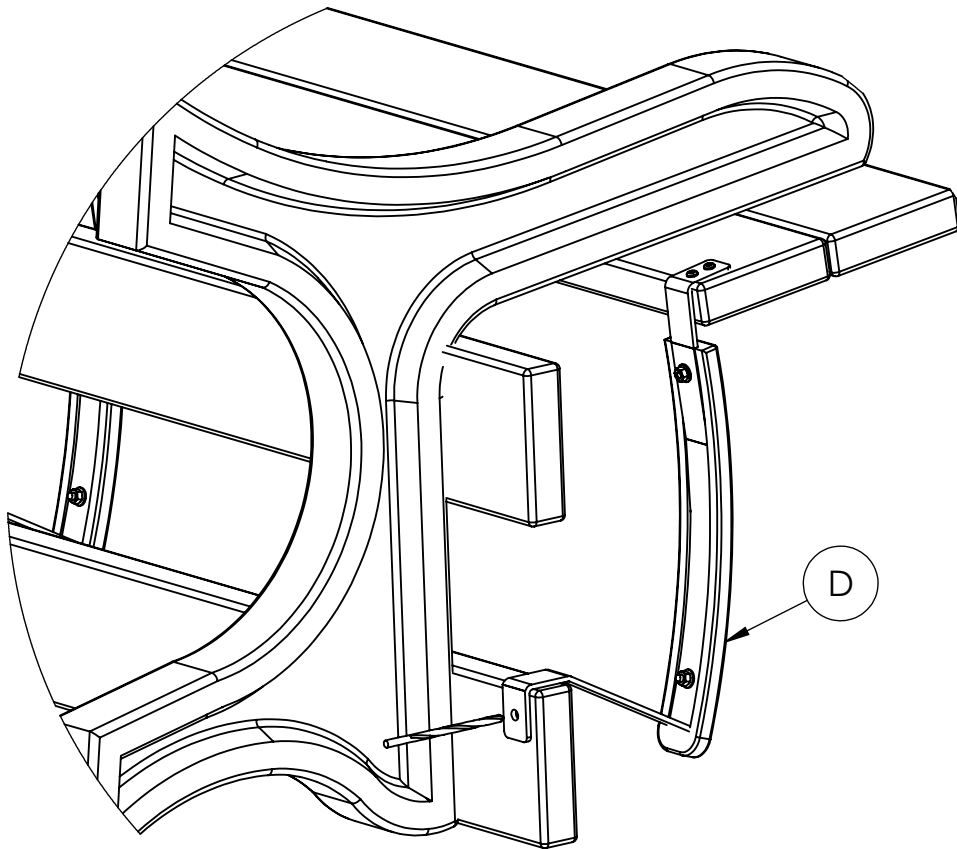
ASSEMBLY

5/6

ARMREST INSTRUCTIONS

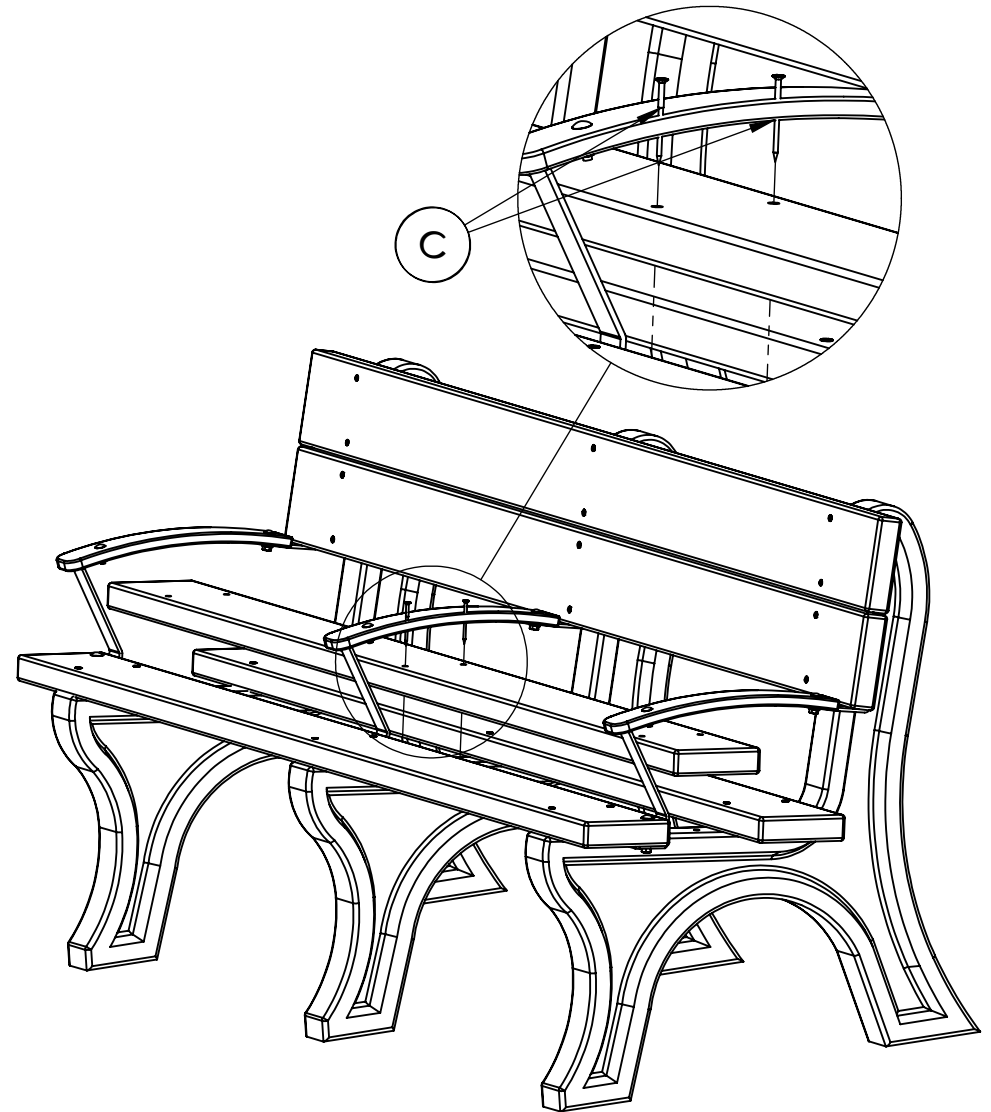
STEP 5 Attach Armrests

- Hold the armrest (D) against the bottom of the front seat board
- With a 1/4" drill bit, make a thru hole in the seat board
- Secure the armrest with carriage bolt (E) washer(H) and nut (G)



STEP 6 Attach Seat Board

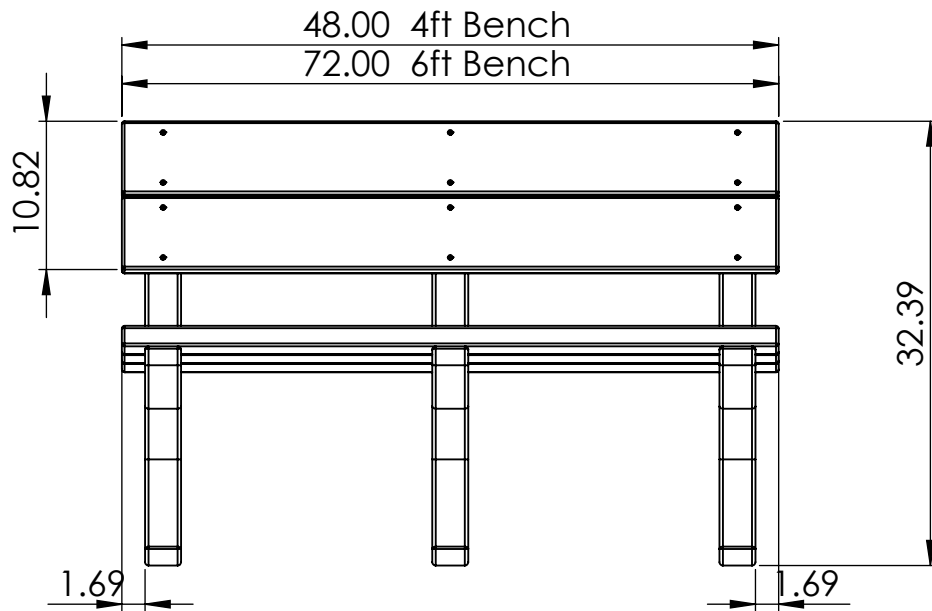
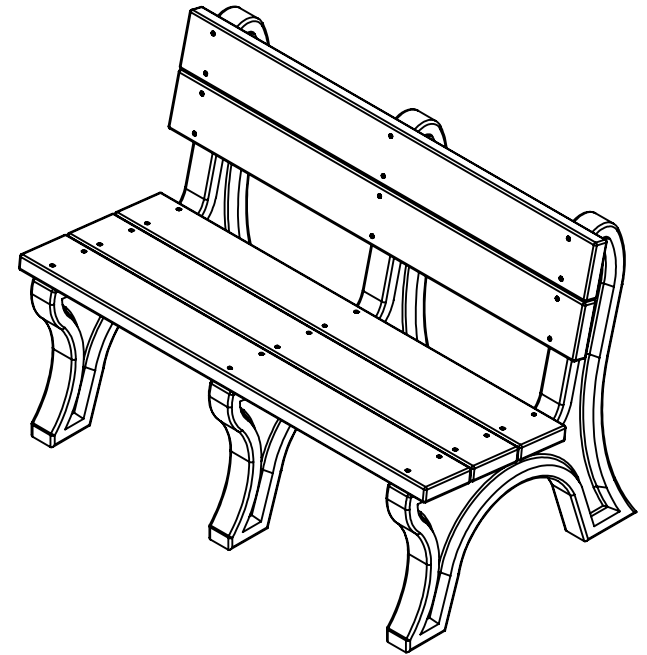
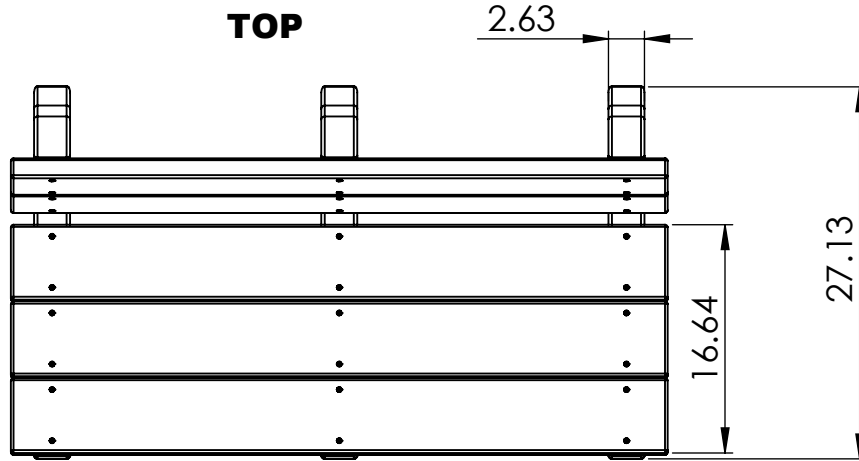
- Place the middle seat board on the bench ends
- Align the holes in the plastic board with the predrilled holes in the **center bench end first**
- Secure the board with the #10 x 2.5" screws (C)
- Insert remaining screws (C) in outer bench ends



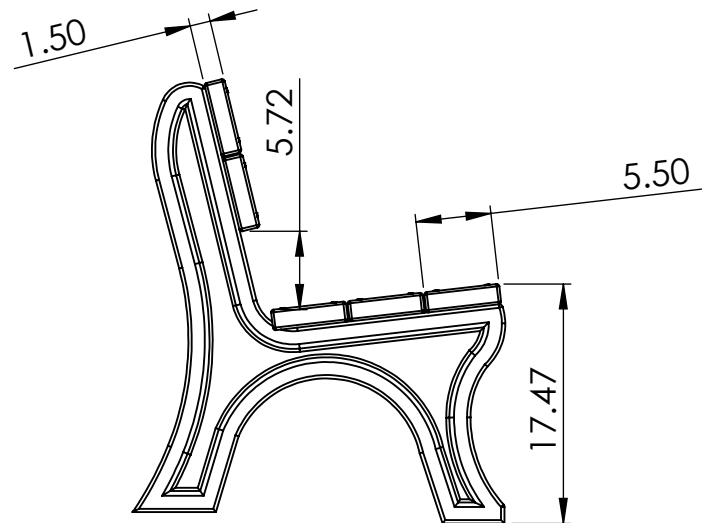
BENCH SPECIFICATIONS

REV# 4
1/22/2018

- BC1465
- BC1470
- BC1481
- BC1482
- BC1485
- BC1490
- BC1501
- BC1502
- BC1505
- BC1510
- BC1550



FRONT



SIDE

CONSTRUCTION MATERIALS:
Recycled Plastic
HARDWARE:
Stainless Steel

ALL DIMENSIONS ARE SHOWN IN INCHES