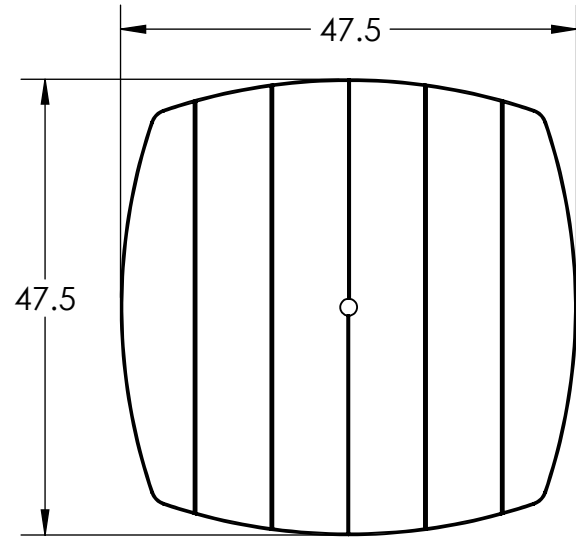
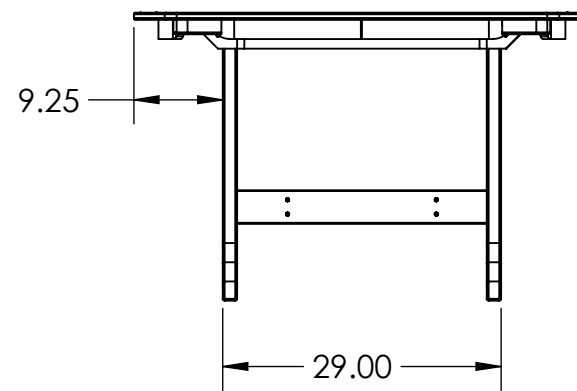
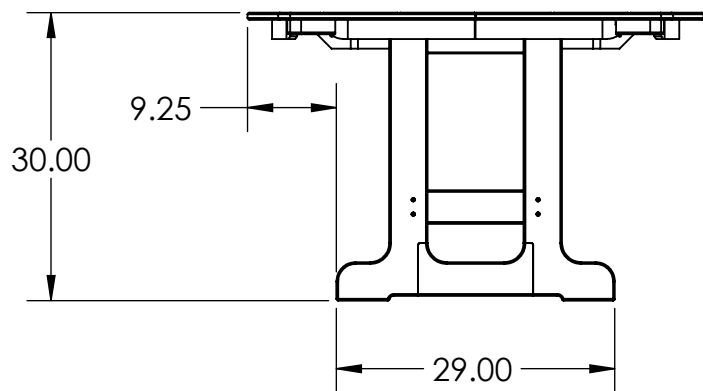


MASON DINING TABLE



KCF7450
REV. 1
1/22/26



CONSTRUCTION MATERIALS:
Recycled Plastic
HARDWARE:
Stainless Steel