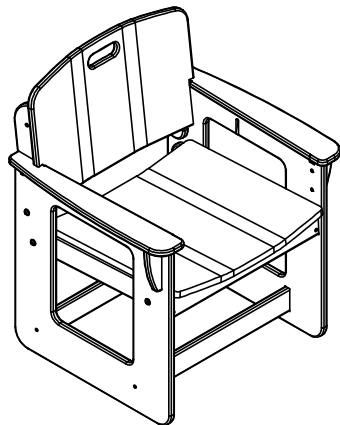


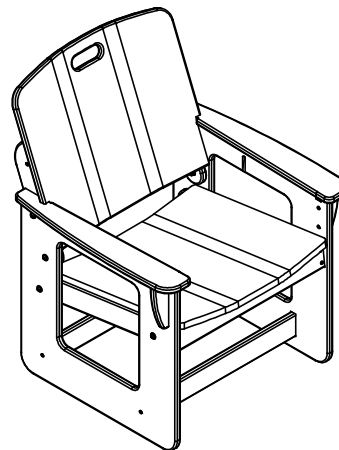
KCF7410/KCF7412 MASON CHAIRS

KCF7410 (DINING CHAIR)
KCF7412 (MID-LOUNGE CHAIR)
REV. 1
12/17/25

THESE INSTRUCTIONS COVER THE ASSEMBLY OF
BOTH CHAIRS SHOWN HERE. THE ASSEMBLY IS
THE SAME BOTH OF THEM.

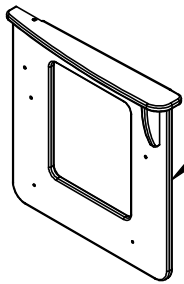


KCF7410
DINING CHAIR



KCF7412
MID-LOUNGE CHAIR

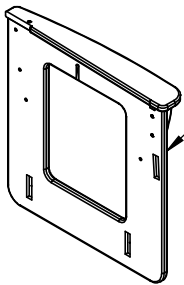
KCF7410/KCF7412 MASON CHAIRS



LEFT CHAIR FRAME
QTY. = 1

(A)

EACH LEFT AND RIGHT CHAIR FRAME
FOR THE DINING AND MID-LOUNGE
CHAIR WILL LOOK SIMILAR TO THESE



RIGHT CHAIR FRAME
QTY. = 1

(B)

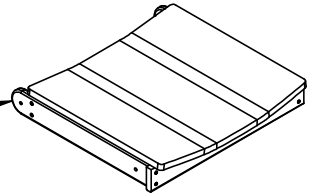
LOWER CROSS
SUPPORT
QTY. = 2

(C)



SEAT PAN
QTY. = 1

(D)



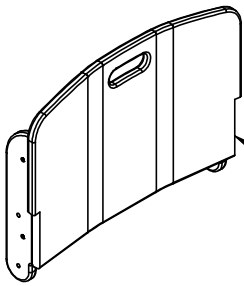
TOOLS NEEDED (NOT INCLUDED):

- 1/2" WRENCH OR SOCKET
- 3/16" ALLEN WRENCH
- RUBBER Mallet

**PARTS & TOOLS
REQUIRED FOR
ASSEMBLY**

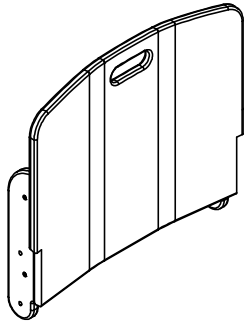
1/6

KCF7410/KCF7412 MASON CHAIRS



BACKREST
(FOR DINING
CHAIR ONLY)
QTY. = 1

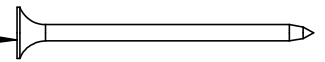
(E)



BACKREST
FOR MID-LOUNGE
QTY. = 1

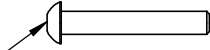
#10 x 2" SCREW
QTY. = 4

(F)



5/16" x 2" BUTTON
HEAD MACHINE
SCREW
QTY. = 8

(G)



5/16" FLAT WASHER
QTY. = 16

(H)



5/16" NUT
QTY. = 8

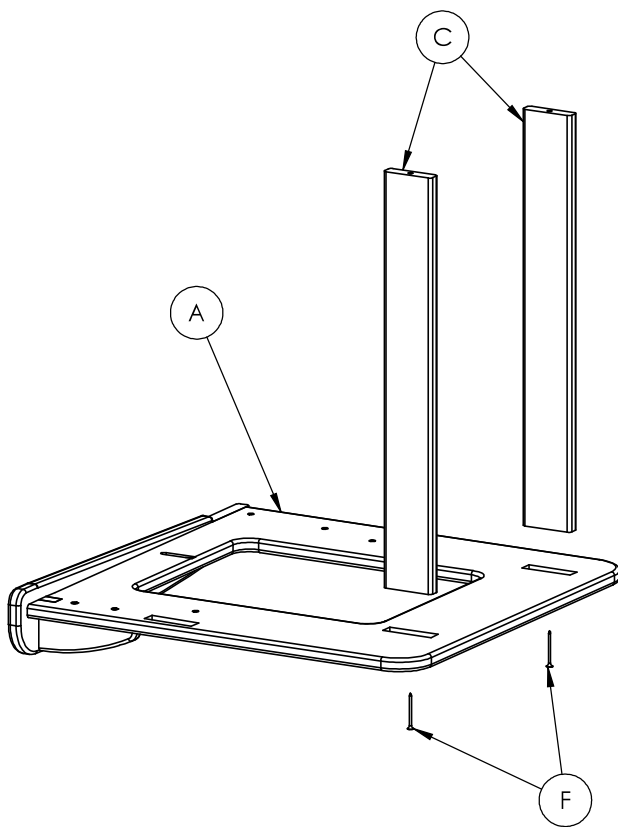
(J)



**PARTS NEEDED
FOR ASSEMBLY**

2/6

KCF7410/KCF7412 MASON CHAIRS



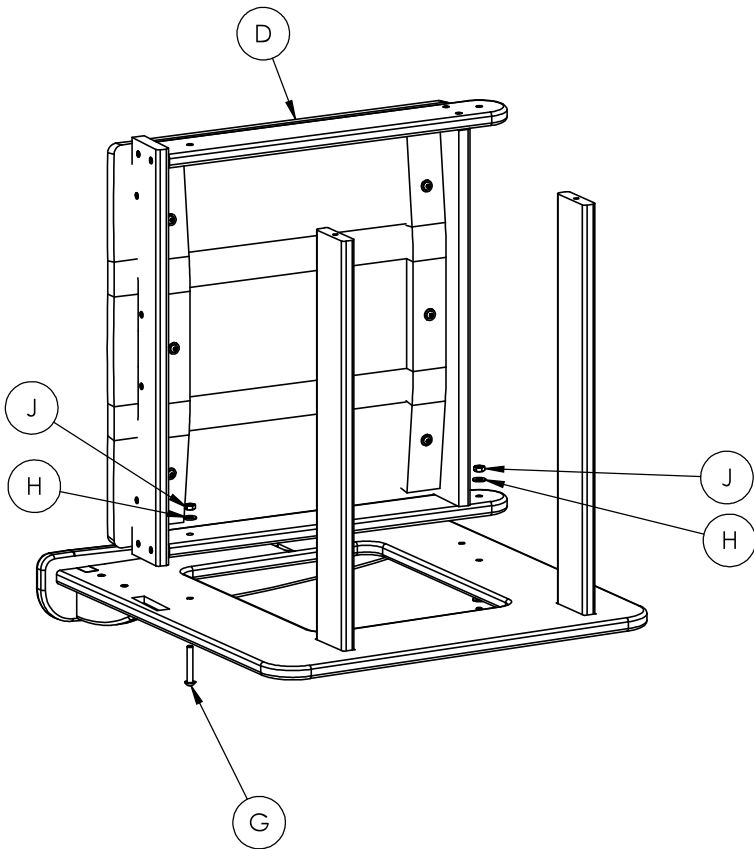
STEP 1: BEGIN BY PLACING EITHER THE LEFT FRAME (A) OR THE RIGHT FRAME (B) (LEFT SHOWN HERE) FLAT ON A STURDY TABLE SO THE ARM AND ARM SUPPORT HANG OVER THE SIDE OF THE TABLE. TAP EACH LOWER CROSS SUPPORT (C) INTO EACH CUTOUT UNTIL THEY ARE FULLY SEATED.

TILT THE FRAME UPWARD TO GAIN ACCESS TO THE SCREW HOLES BEHIND THESE CUTOUTS, AND INSTALL ONE #10 x 2" SCREW AT EACH LOCATION.

**INSTALL CROSS
SUPPORTS**

3/6

KCF7410/KCF7412 MASON CHAIRS



STEP 2: LAY THE FRAME BACK DOWN ON THE TABLE SO THE ARM AND ARM SUPPORT ONCE AGAIN HANG OVER THE EDGE OF THE TABLE. PLACE THE SEAT PAN (D) ON THE FRAME SO THAT THE FRONT OF THE SEAT PAN DROPS INTO THE REMAINING CUTOUT, AS SHOWN. A FEW TAPS WITH A RUBBER Mallet MAY BE NECESSARY TO FULLY SEAT THE PIECES TOGETHER.

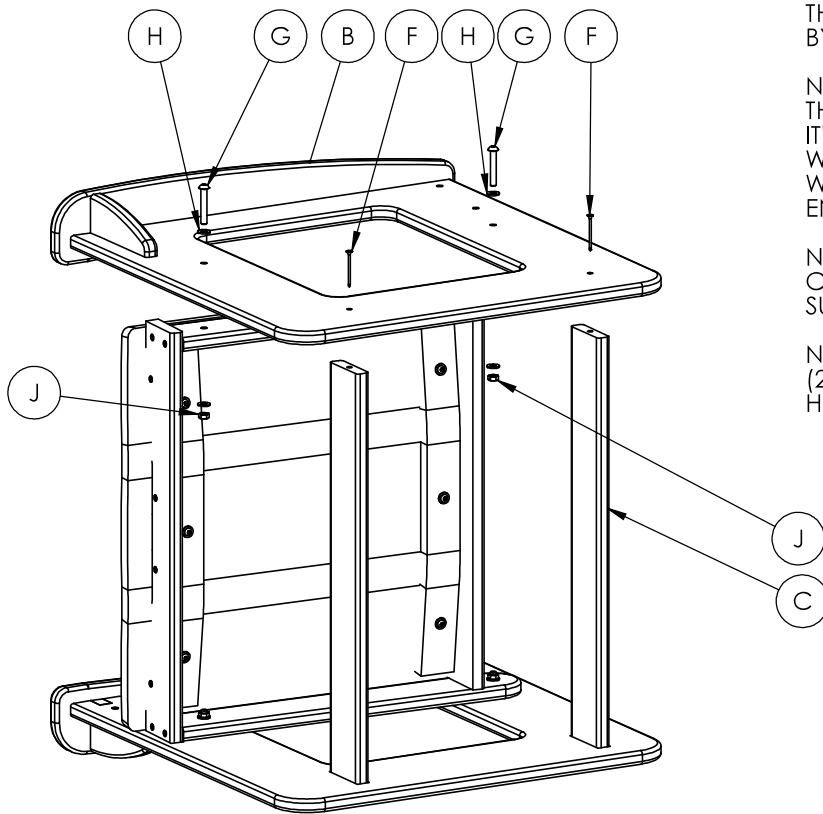
NEXT, INSTALL ONE 5/16" x 2" MACHINE SCREW (G) AND ONE 5/16" FLAT WASHER (H) UPWARD THROUGH THE SIDE FRAME INTO THE BACK HOLE OF THE SEAT PAN. INSTALL A 5/16" FLAT WASHER (H) AND 5/16" NUT (J) ONTO THE SCREW AND TIGHTEN FINGER TIGHT.

DO THE SAME WITH THE FRONT HOLE, TAPPING THE 5/16" SCREW FROM THE OUTSIDE IN WITH A RUBBER Mallet IF NECESSARY. INSTALL ANOTHER FLAT WASHER AND NUT FINGER TIGHT.

**INSTALL SEAT
PAN**

4/6

KCF7410/KCF7412 MASON CHAIRS



STEP 3: PLACE THE REMAINING SIDE FRAME (B) ONTO THE PARTS THAT ARE FACING UPWARDS. IF THE CHAIR IS STILL ON A TABLE TOP AT THIS POINT, A SHORT STOOL MAY BE NEEDED TO REACH ABOVE THE SIDE FRAME. THE PARTIALLY COMPLETED CHAIR COULD ALSO BE CAREFULLY MOVED TO THE GROUND, BUT THE LOWER SIDE FRAME WOULD NEED TO BE SUPPORTED BY A FEW BOARDS SO IT SITS FLAT.

NEXT, GUIDE EACH LOWER CROSS SUPPORT (C) INTO THEIR CUTOUTS, AND THE FRONT OF THE SEAT PAN INTO ITS CUTOUT NEAR THE FRONT OF THE CHAIR. A FEW TAPS WITH A RUBBER Mallet MAY BE NECESSARY HERE, WORKING FROM ONE PIECE TO THE NEXT UNTILL FULLY ENGAGED.

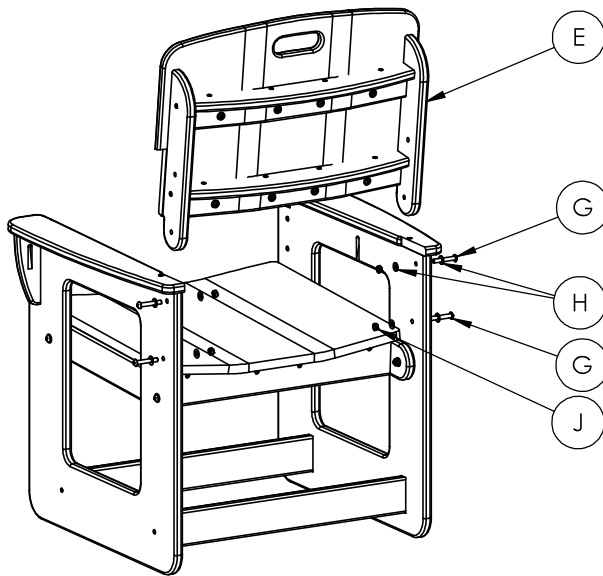
NEXT, INSTALL (2) #10 x 2" SCREWS (F) INTO THE COUNTERSUNK HOLES TO SECURE THE LOWER CROSS SUPPORTS (C).

NEXT, INSTALL A 5/16" x 2" MACHINE SCREW (G), (2) FLAT WASHERS (H), AND A 5/16" NUT (J) INTO EACH HOLE TO SECURE THE SEAT PAN.

**ATTACHING
OTHER SIDE
FRAME**

5/6

KCF7410/KCF7412 MASON CHAIRS



STEP 4: WITH THE CHAIR NOW SITTING FLAT ON THE FLOOR, SLIDE THE BACK REST ASSEMBLY INTO PLACE BETWEEN THE SIDE FRAMES. INSTALL A 5/16" x 2" MACHINE SCREW (G) AND FLAT WASHER (H) INTO EACH REMAINING HOLE FROM THE OUTSIDE IN. FOLLOW UP WITH A FLAT WASHER AND NUT ON THE INSIDE.

NOW GO BACK AND TIGHTEN EACH NUT USING A 1/2" WRENCH AND 3/16" ALLEN WRENCH.

INSTALL BACK REST

6/6