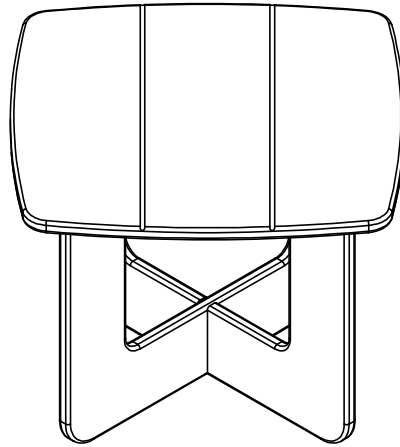


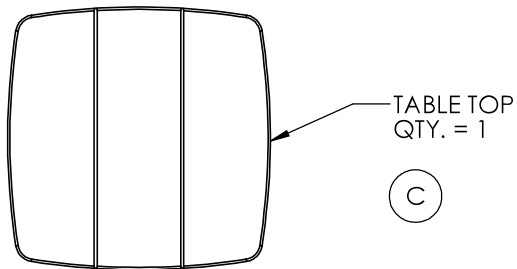
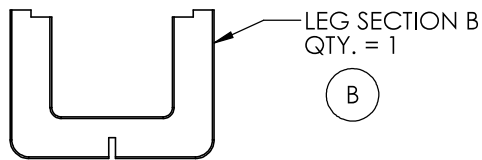
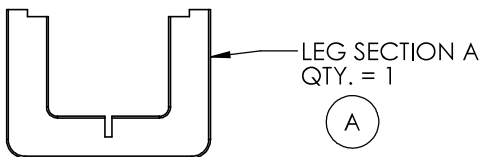
**KCF7435  
MASON SIDE TABLE**

KCF7435 (SIDE TABLE)  
REV. 1  
12/17/25

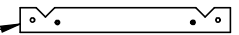
KCF7435  
SIDE TABLE



# KCF7435 MASON SIDE TABLE

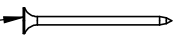


TOP SUPPORT  
QTY. = 2



(D)

#10 x 2" SCREW  
QTY. = 4



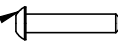
(E)

1/4" FLAT WASHER  
QTY. = 4



(F)

1/4" BUTTONHEAD  
MACHINE SCREW  
QTY. = 4



(G)

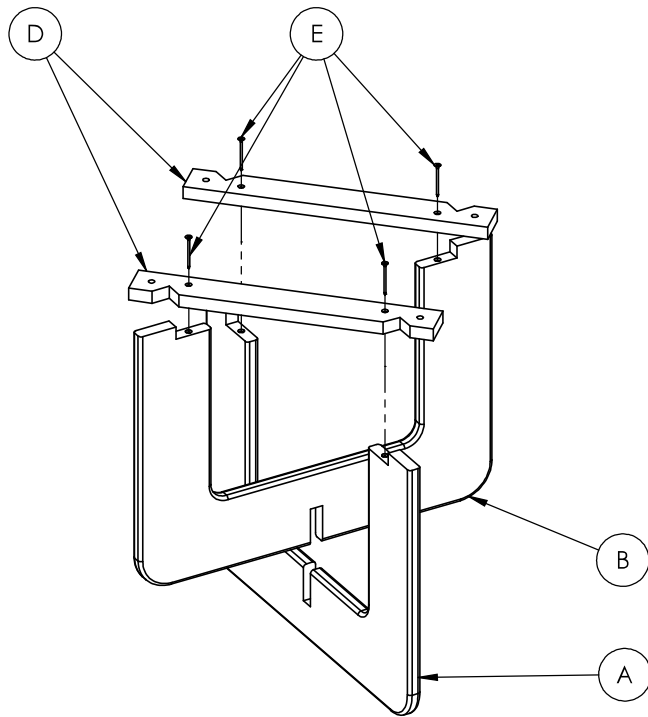
TOOLS NEEDED (NOT INCLUDED):

- 1/2" WRENCH OR SOCKET
- 6mm ALLEN WRENCH
- RUBBER Mallet

**PARTS & TOOLS  
REQUIRED FOR  
ASSEMBLY**

**1/3**

## KCF7435 MASON SIDE TABLE



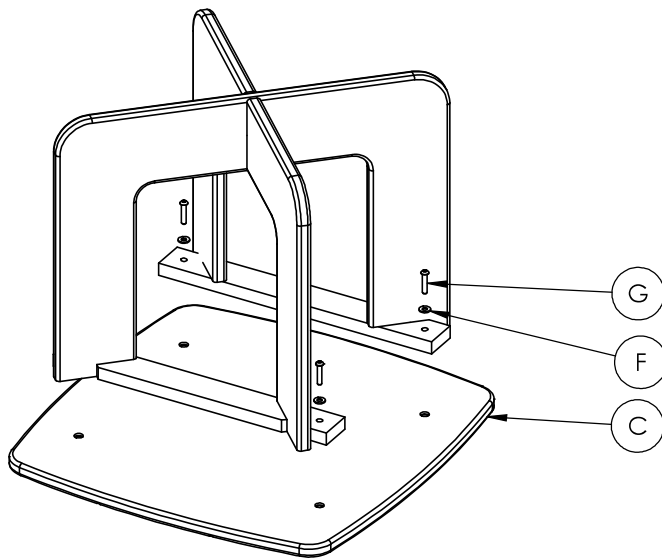
STEP 1: BEGIN BY STANDING UP BOTH OF THE LEG SECTIONS (A & B) SO THE NOTCHES LINE UP WITH EACH OTHER. PUSH THE SECTIONS INTO EACH OTHER UNTIL FULLY ENGAGED. USE A RUBBER Mallet IF NECESSARY.

NEXT, PLACE THE TOP SUPPORT PIECES (D) WITH THE COUNTERSINKS FACING UPWARD, ON TOP OF THE LEG SECTIONS AS SHOWN. SECURE USING (2) #10 x 2" SCREWS (E) EACH.

**ASSEMBLE  
LEGS**

**2/3**

## KCF7435 MASON SIDE TABLE



STEP 2: PLACE TABLE TOP, UPSIDE DOWN, ON A FLAT, SMOOTH SURFACE. PLACE THE ASSEMBLED LEG SECTIONS ONTO THE TABLE TOP, IN THE CORRECT ORIENTATION. TAKE NOTE OF THE HOLE LOCATIONS AS THEY ARE NOT SYMMETRICAL.

FASTEN LEGS TO TOP USING (4) 1/4" BUTTON-HEAD MACHINE SCREWS (G) WITH (4) 1/4" FLAT WASHERS (F).

**INSTALL CROSS  
SUPPORTS**

**3/3**