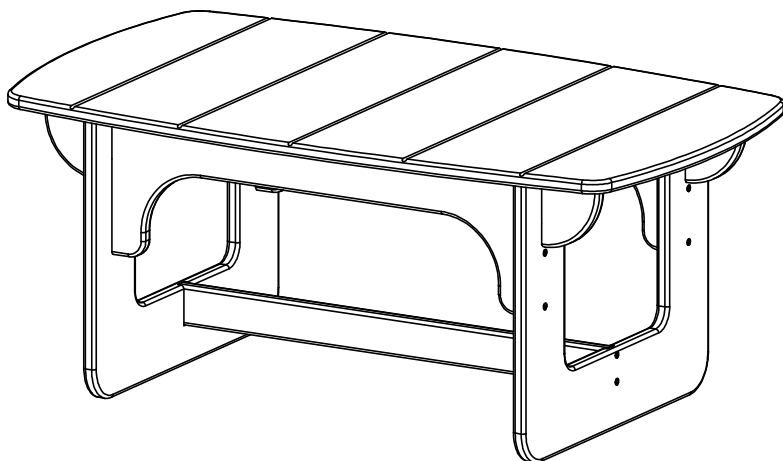
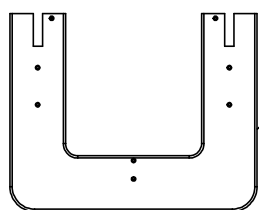


KCF7430
MASON COFFEE TABLE

KCF7430 COFFEE TABLE
REV. 1
12/17/25

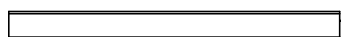


KCF7430 MASON COFFEE TABLE



LEG SECTION
QTY. = 2

(A)



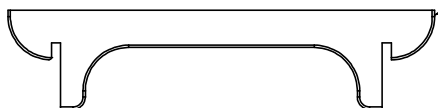
LOWER STRETCHER
QTY. = 1

(B)



TOP SUPPORT
QTY. = 2

(C)

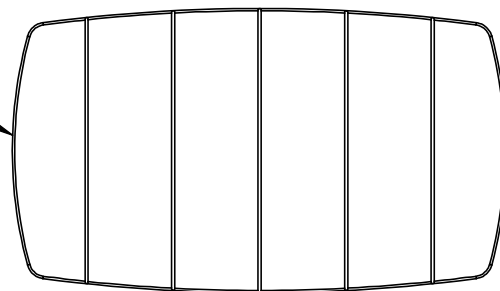


UPPER LEG
STRETCHER
QTY. = 2

(D)

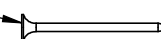
TOP
QTY. = 1

(E)



#10 x 2" SCREW
QTY. = 16

(F)



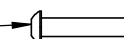
1/4" FLAT WASHER
QTY. = 4

(G)



1/4" BUTTONHEAD
MACHINE SCREW
QTY. = 4

(H)



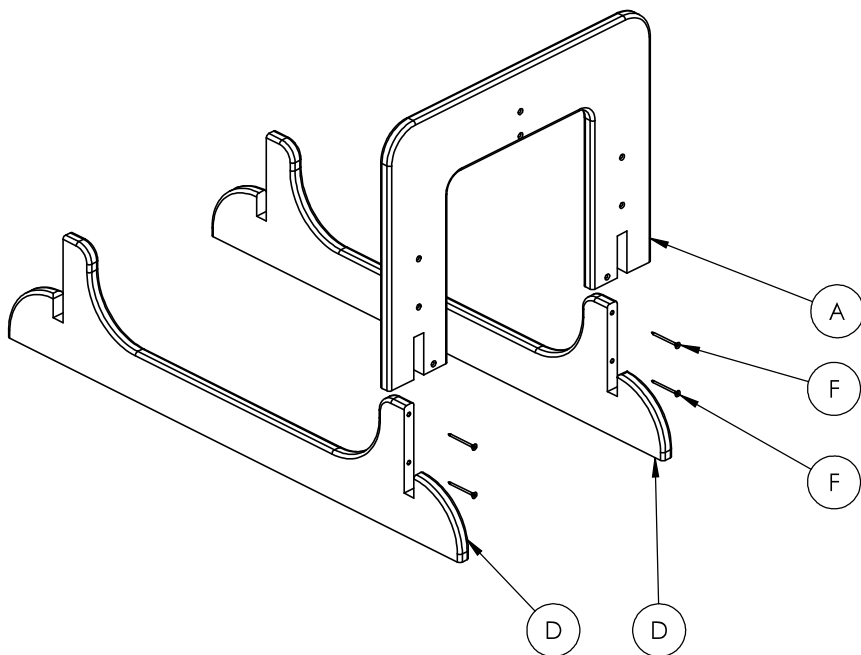
TOOLS NEEDED (NOT INCLUDED):

- #2 SQUARE DRIVE
- 6mm ALLEN WRENCH
- RUBBER Mallet

**PARTS & TOOLS
REQUIRED FOR
ASSEMBLY**

1/5

KCF7430 MASON COFFEE TABLE



STEP 1: BEGIN BY LAYING THE TWO UPPER LEG STRETCHERS (D) ON THE FLOOR, PARALLEL TO EACH OTHER. STAND ONE UP ON IT'S FLAT SIDE AND SLIDE ONE LEG SECTION (A) ONTO IT, ENGAGING THE SLOTS WITH EACH OTHER. TAP WITH A RUBBER Mallet TO FULLY SEAT THE PIECES TOGETHER. MAKE SURE THE HOLES HAVE THE COUNTERSINKS FACING OUTWARD.

NEXT, FASTEN TOGETHER USING (2) #10x2" SCREWS (F).

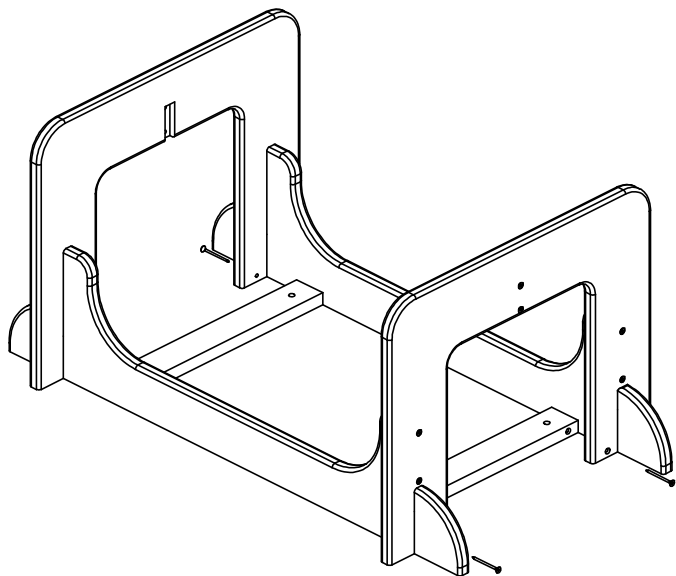
NEXT, DO THE SAME WITH THE OTHER UPPER LEG STRETCHER, ENGAGING THE SLOTS TOGETHER FULLY. FASTERN USING (2) MORE #10x2" SCREWS.

GO TO OPPOSITE END AND SLIDE THE REMAINING LEG SECTION INTO THE SLOTS FULLY. TAP WITH RUBBER Mallet IF NECESSARY. SECURE WITH SCREWS (F) LIKE THE FIRST LEG SECTION.

**ASSEMBLE
LEGS TO
STRETCHERS**

2/5

KCF7430 MASON COFFEE TABLE



STEP 2: WHILE THE TABLE IS STILL UPSIDE DOWN ON THE FLOOR, ATTACH THE TOP SUPPORTS (C) JUST INSIDE THE LEG SECTIONS AS SHOWN. FASTEN, USING (2) #10x2" SCREWS FOR EACH SUPPORT.

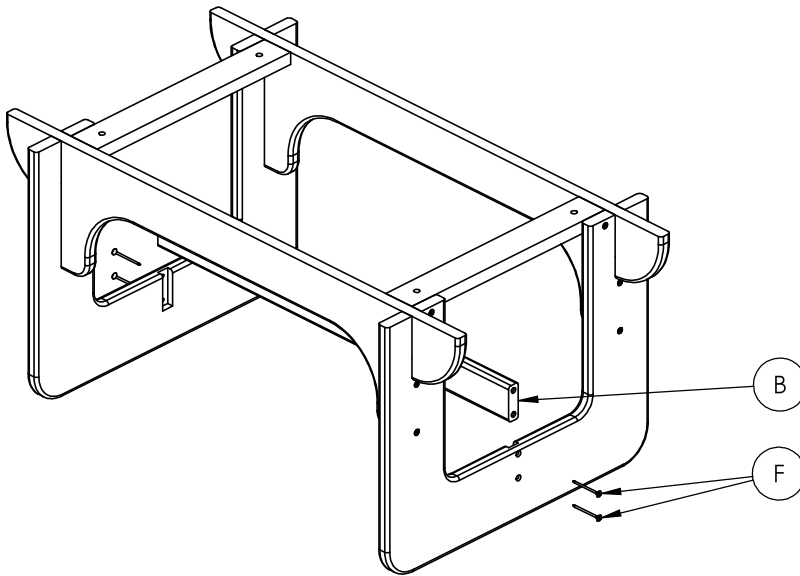
THEN FLIP TABLE OVER ONTO IT'S LEGS.

**INSTALL UPPER
TOP SUPPORTS**

3/5

KCF7430 MASON COFFEE TABLE

STEP 3: SLIP THE LOWER LEG STRETCHER (B) INTO THE NOTCHES AT THE BOTTOM OF THE LEG SECTIONS. FASTEN WITH (2) #10x2" SCREWS (F) ON EACH END.

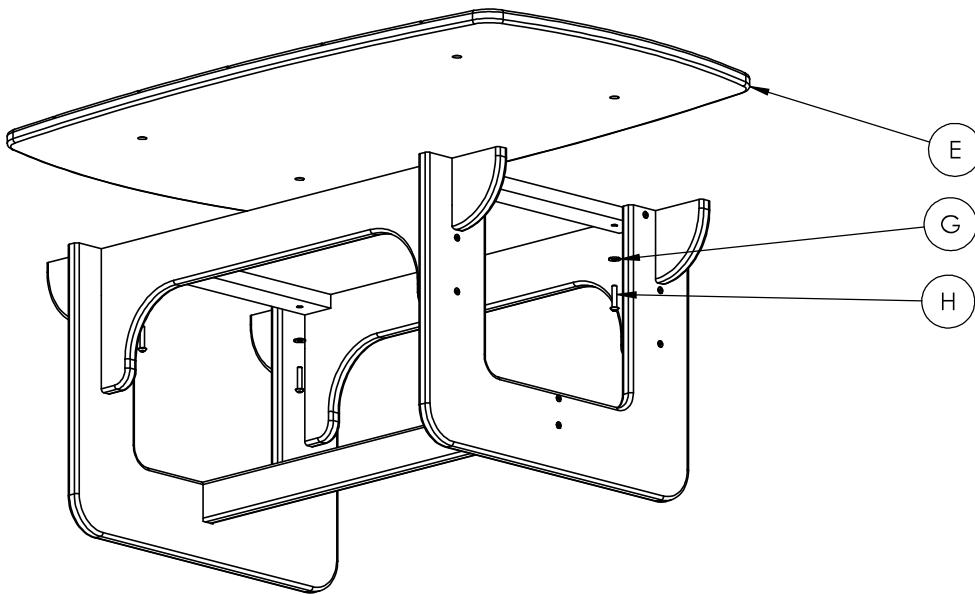


**INSTALL LOWER
LEG STRETCHER**

4/5

KCF7430 MASON COFFEE TABLE

STEP 4: PLACE TOP (E) ONTO THE TABLE, LINING UP THE HOLES. ATTACH USING (4) 1/4" BUTTONHEAD SCREWS (H) AND (4) 1/4" FLAT WASHERS (G). TIGHTEN WITH A 6mm ALLEN WRENCH.



**ATTACHING
TOP**

5/5