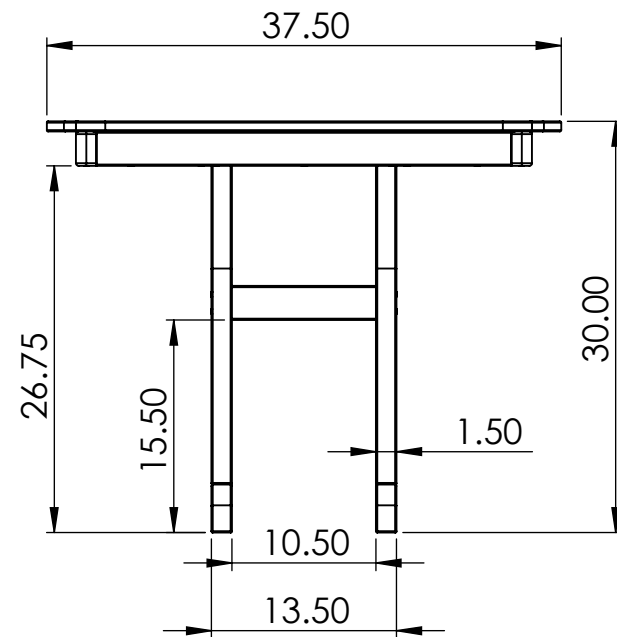
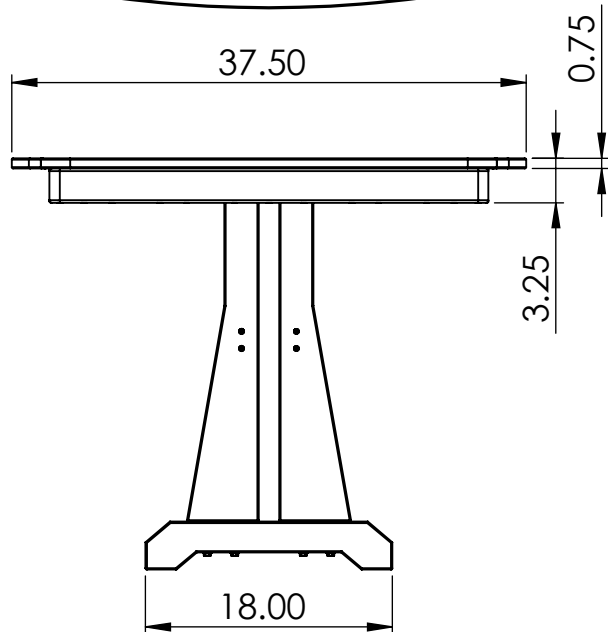
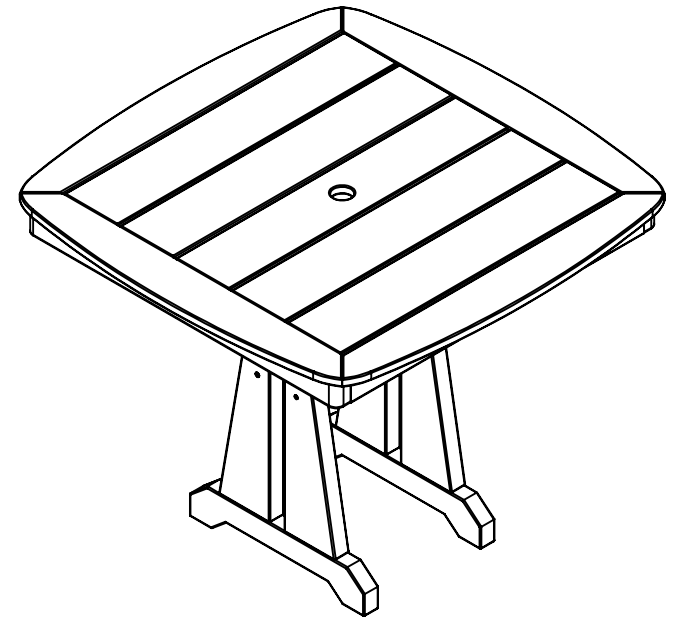
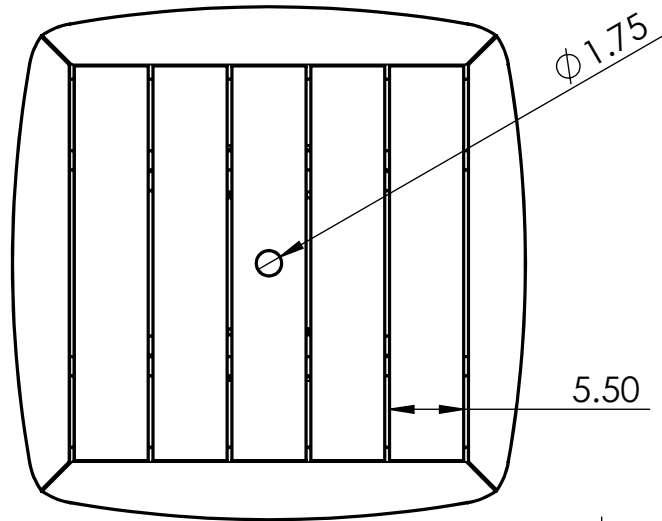


TABLE SPECIFICATIONS

CF1150 REV# 3
9-12-2022



CONSTRUCTION MATERIALS:
Recycled Plastic
HARDWARE:
Stainless Steel

ALL DIMENSIONS SHOWN IN INCHES