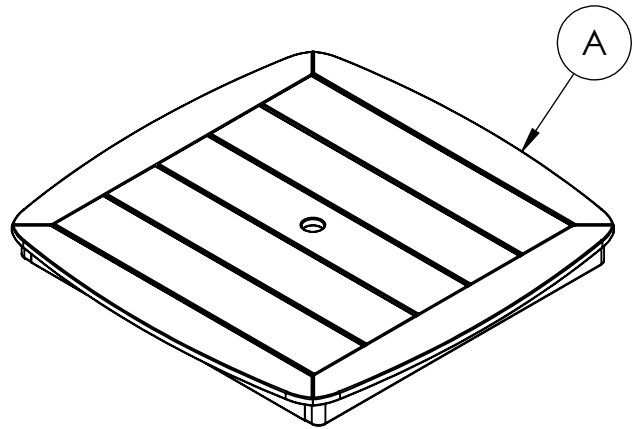


TABLE INSTRUCTIONS

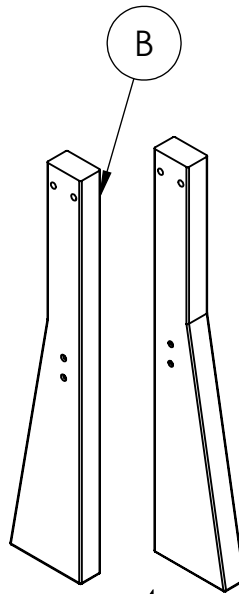
CF1150 REV# 3
9-12-2022



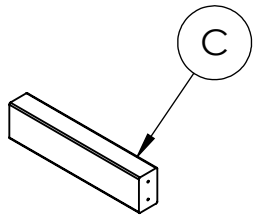
TABLE INSTRUCTIONS



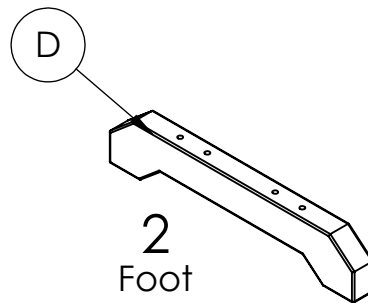
1
Table Top Assembly



4
Table Legs

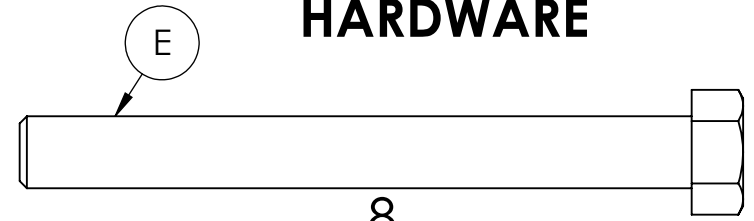


2
Cross Braces

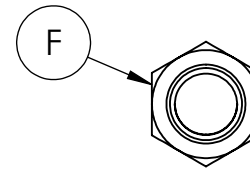


2
Foot

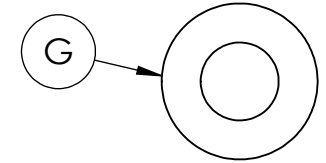
HARDWARE



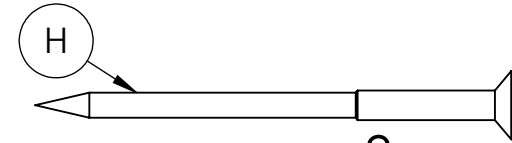
8
3/8" x 3.5" Hex Head Bolts



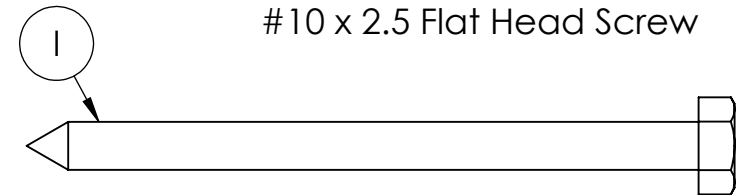
8
3/8" Hex Nuts



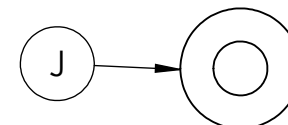
16
3/8" Flat Washer



8
#10 x 2.5 Flat Head Screw



8
1/4" x 3.5" Hex Lag Screw



8
1/4" Flat Washer

REQUIRED TOOLS (NOT INCLUDED)

- POWER DRILL
- #2 SQUARE DRIVE
- (2) 9/16 WRENCH OR SOCKET

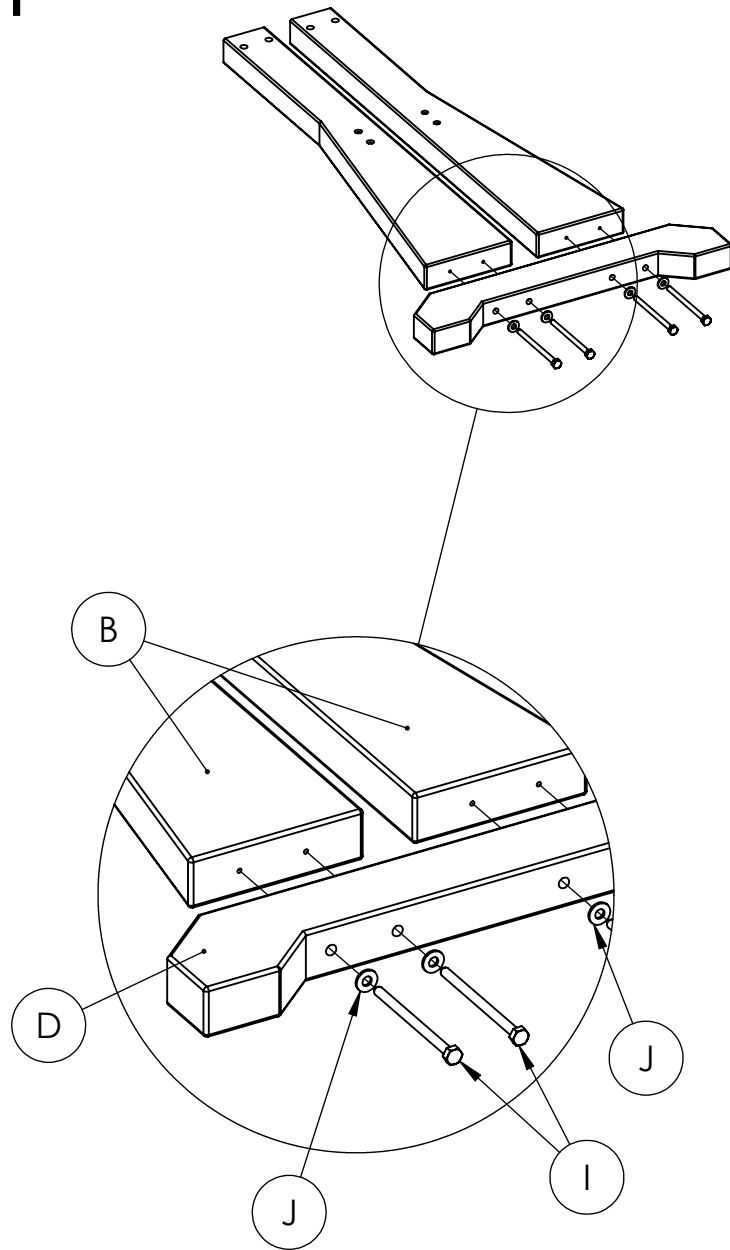
NOTE: IT IS IMPORTANT TO KEEP ALL SCREWS LOOSE DURING ASSEMBLY UNTIL ENTIRE TABLE IS ASSEMBLED

**HARDWARE &
TOOLS REQUIRED
FOR ASSEMBLY**

2/5

TABLE INSTRUCTIONS

STEP 1



STEP 2

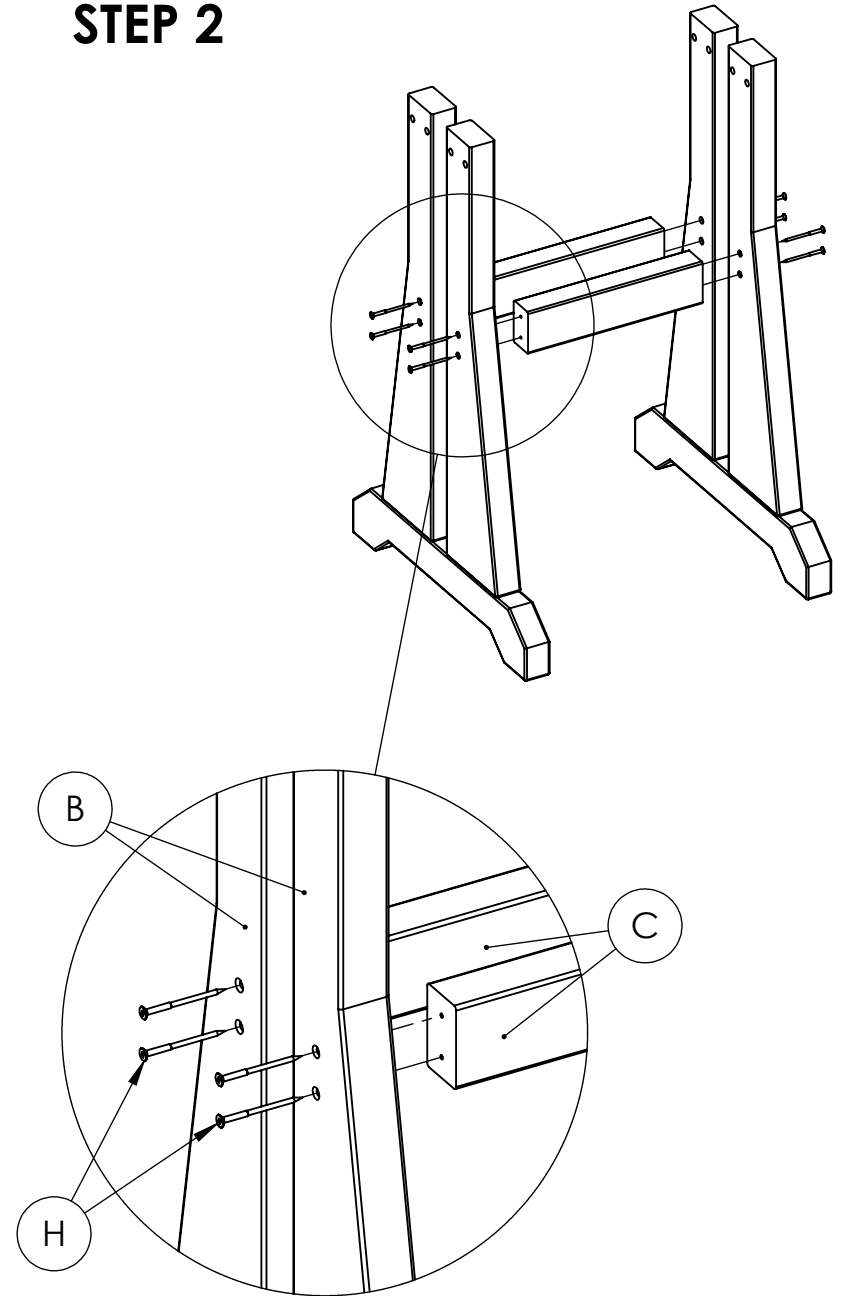


TABLE INSTRUCTIONS

STEP 3

- Attach leg assembly with table upside down - **leave bolts loose.**
- Flip table right side up then fully tighten all bolts.

