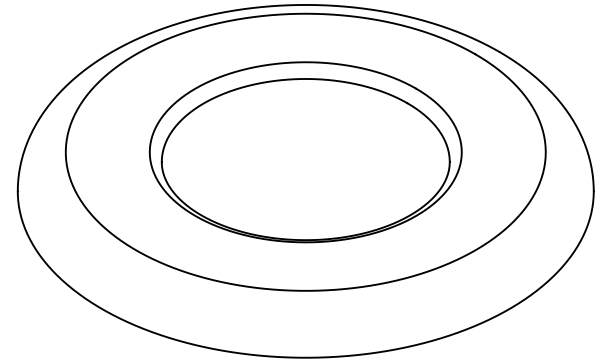
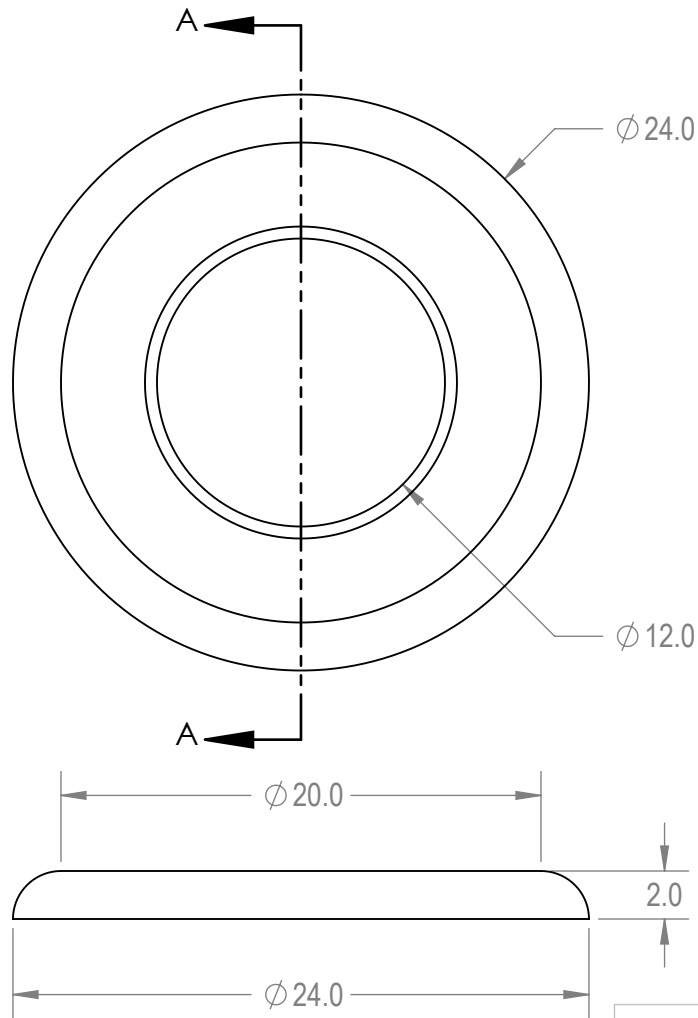


SECTION A-A



	NAME	DATE	Barco Products	
DRAWN			TITLE: 32 Gallon Flat Lid SIZE DWG. NO. REV	
SALES APPR.				
CLIENT APPR.				
MFG APPR.				
Q.A.				
Design By -			A	