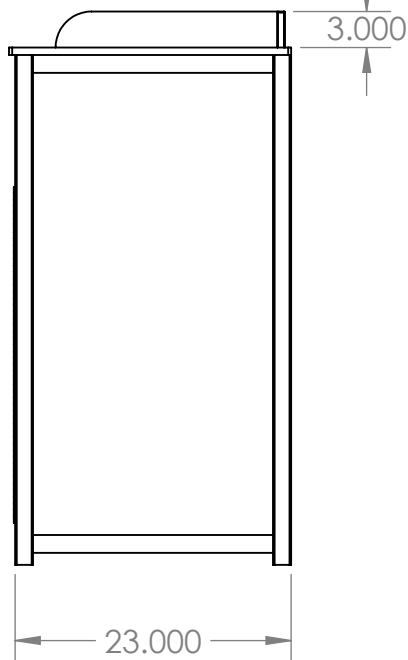
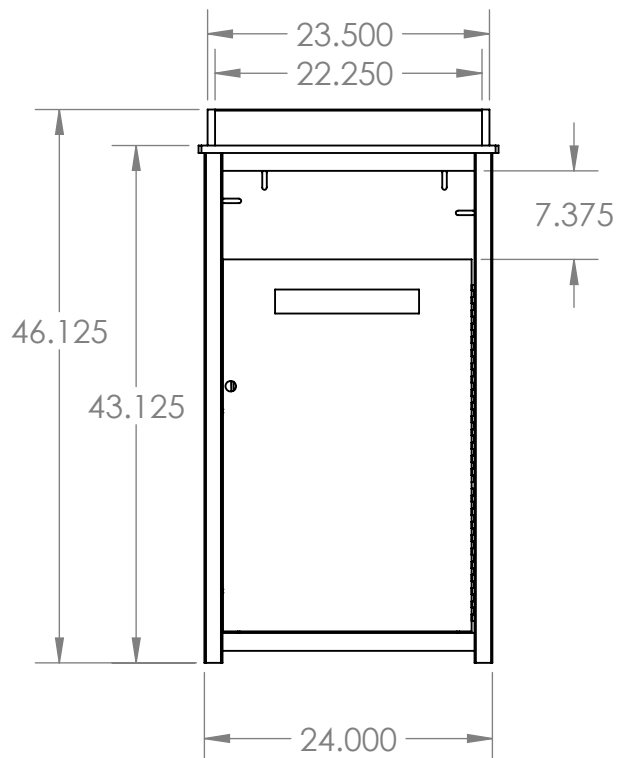
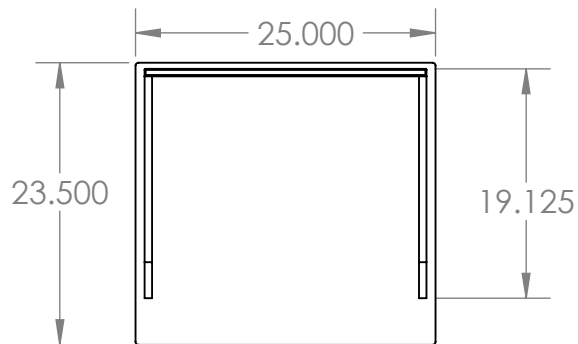


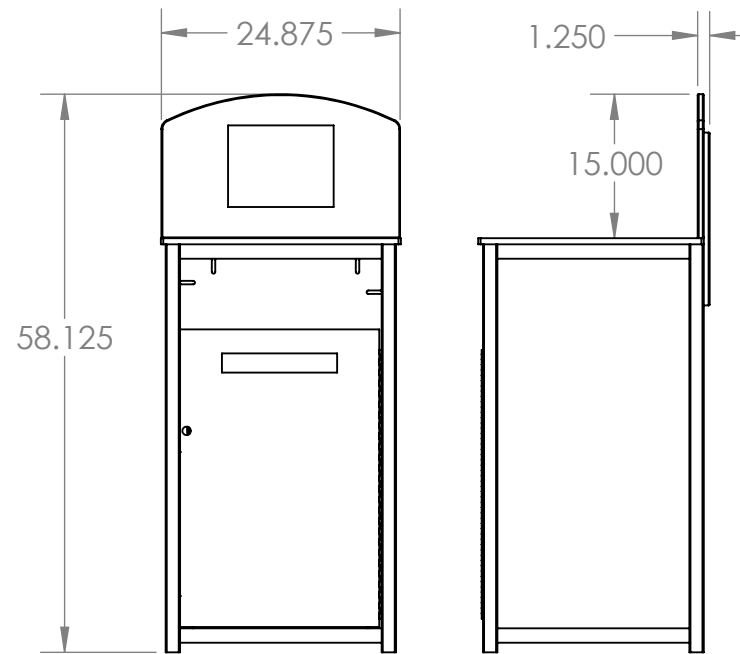
REVISIONS

ECO#	DESCRIPTION	REV.	DATE	CHG BY
------	-------------	------	------	--------



ESTIMATED WEIGHTS:

NO ADD-ONS = 71 LBS.  
 WITH TRAY RACK = 74 LBS.  
 WITH SIGN BOARD = 78 LBS.



PART NAME:  
**ARC408X**

<p><b>PROPRIETARY AND CONFIDENTIAL</b></p> <p>THE INFORMATION CONTAINED IN THIS DRAWING IS THE SOLE PROPERTY OF KIRBYBUILT. ANY REPRODUCTION IN PART OR AS A WHOLE WITHOUT THE WRITTEN PERMISSION OF KIRBYBUILT IS PROHIBITED.</p>	<p><b>UNLESS OTHERWISE SPECIFIED</b></p> <p>DIMENSIONS ARE IN INCHES                  TOLERANCES:                  FRACTIONAL: ±1/16                  ANGULAR DEGREES: ±1°                  TWO PLACE DECIMAL: ±.01                  THREE PLACE DECIMAL: ±.005</p>	MATERIAL:	DATE CREATED: 1/27/2025
		MATERIAL DESCRIPTION:	DRAWN BY:
		SCALE: 1:16	SHEET 1 OF 1

SIZE DESCRIPTION:  
**A**