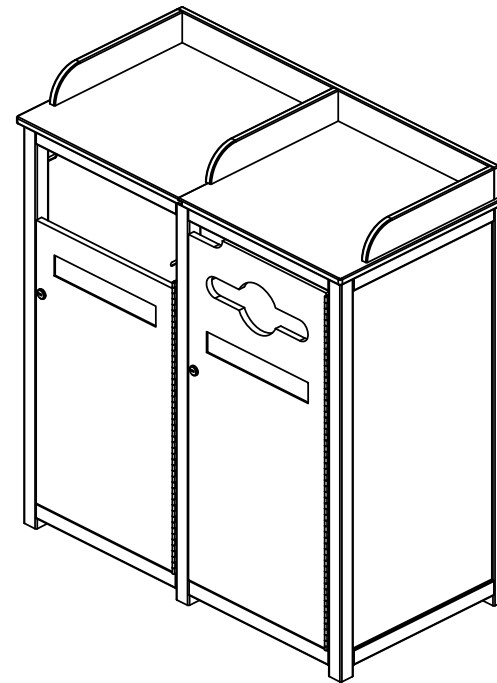
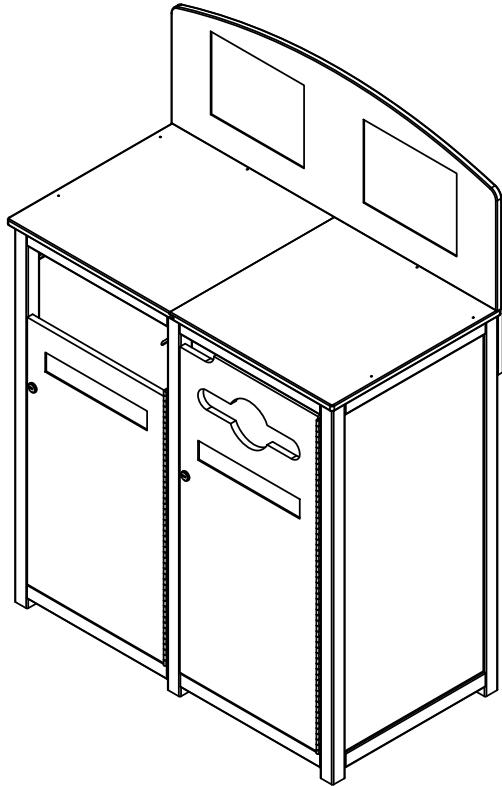


# KRC4070 DOUBLE RECEPTACLE (HEADBOARD & TRAY RETURN) ASSEMBLY INSTRUCTIONS

KRC4071 OR KRC4072  
REV. 2  
5/5/2025

THESE INSTRUCTIONS COVER THE INSTALLATION OF BOTH THE SIGN BOARD AND THE TRAY RETURN, FOR THE DOUBLE UNIT.

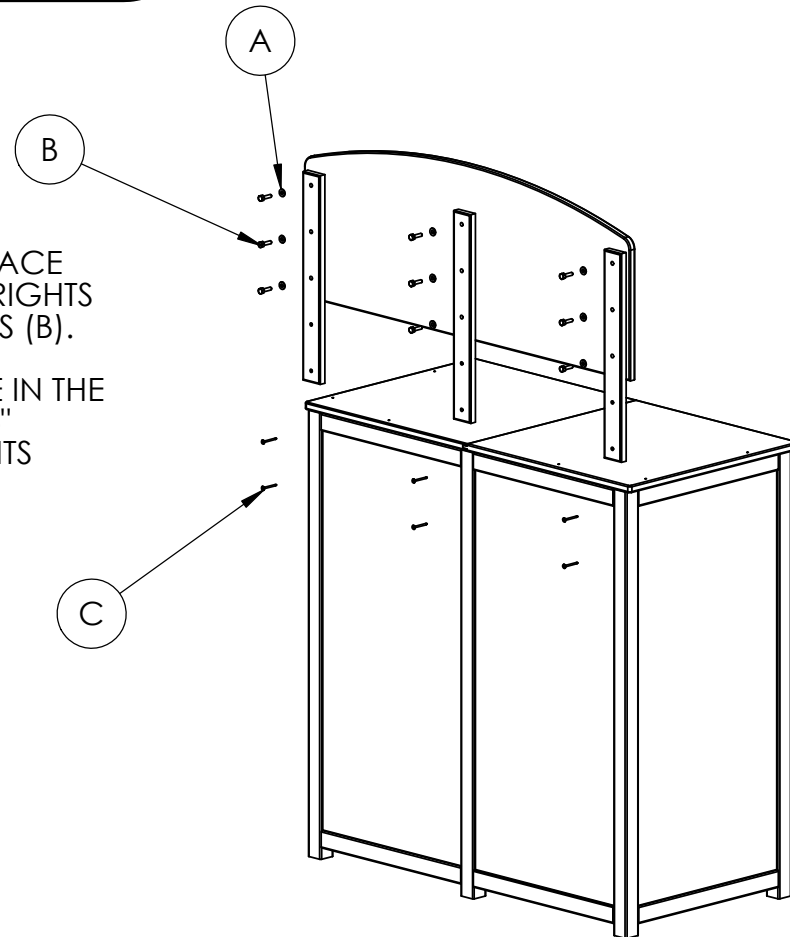
NOTE: TRAY RETURN WILL BE ATTACHED TO UNIT IF ORDERED AT THE SAME TIME AS THE RECEPTACLE. THE INSTRUCTIONS APPLY TO A RETROACTIVE TRAY RETURN INSTALLATION.



# KRC4070 DOUBLE RECEPTACLE SIGN BOARD ASSEMBLY INSTRUCTIONS

FOR THE DOUBLE RECEPTACLE, PLACE THE HEADBOARD FACE DOWN ON A CLEAN, SMOOTH SURFACE. ATTACH (3) UPRIGHTS USING (9) FLAT WASHERS (A) AND (9) 1/4-20 X 1" HEX BOLTS (B).

PLACE ASSEMBLED HEADBOARD ON TOP OF RECEPTACLE IN THE BACK & CENTERED LEFT TO RIGHT. NEXT, USE THE (6) 1-5/8" FLATHEAD SCREWS (C) PROVIDED TO SECURE THE UPRIGHTS INTO THE VERTICAL POSTS.



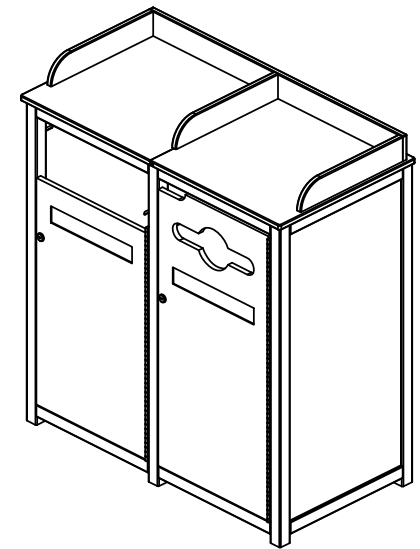
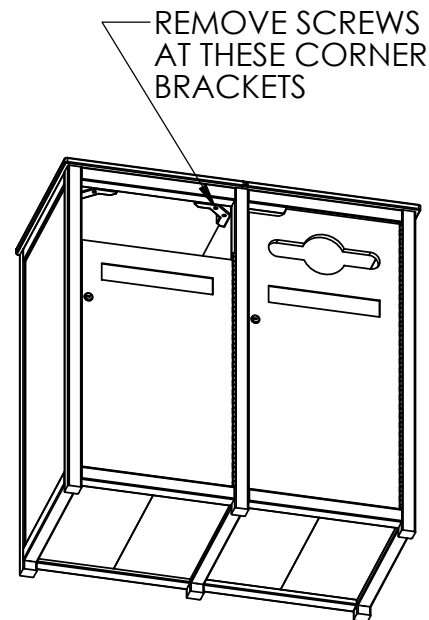
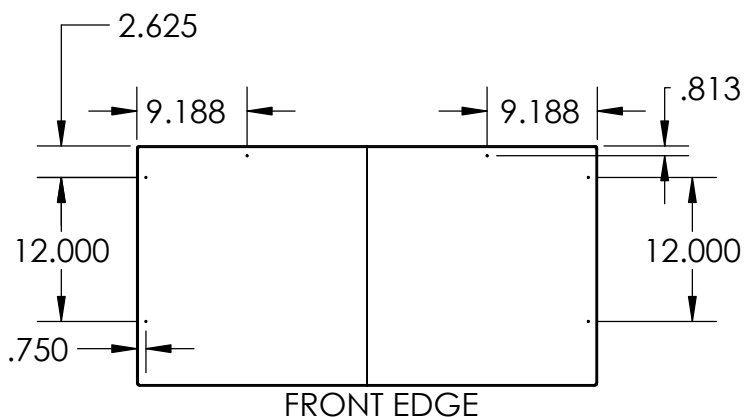
## REQUIRED TOOLS (NOT INCLUDED)

- 1 - POWER DRILL
- 1 - #2 SQUARE DRIVE BIT
- 1 - 7/16 WRENCH

# KRC4070 DOUBLE RECEPTACLE TRAY RETURN INSTALLATION

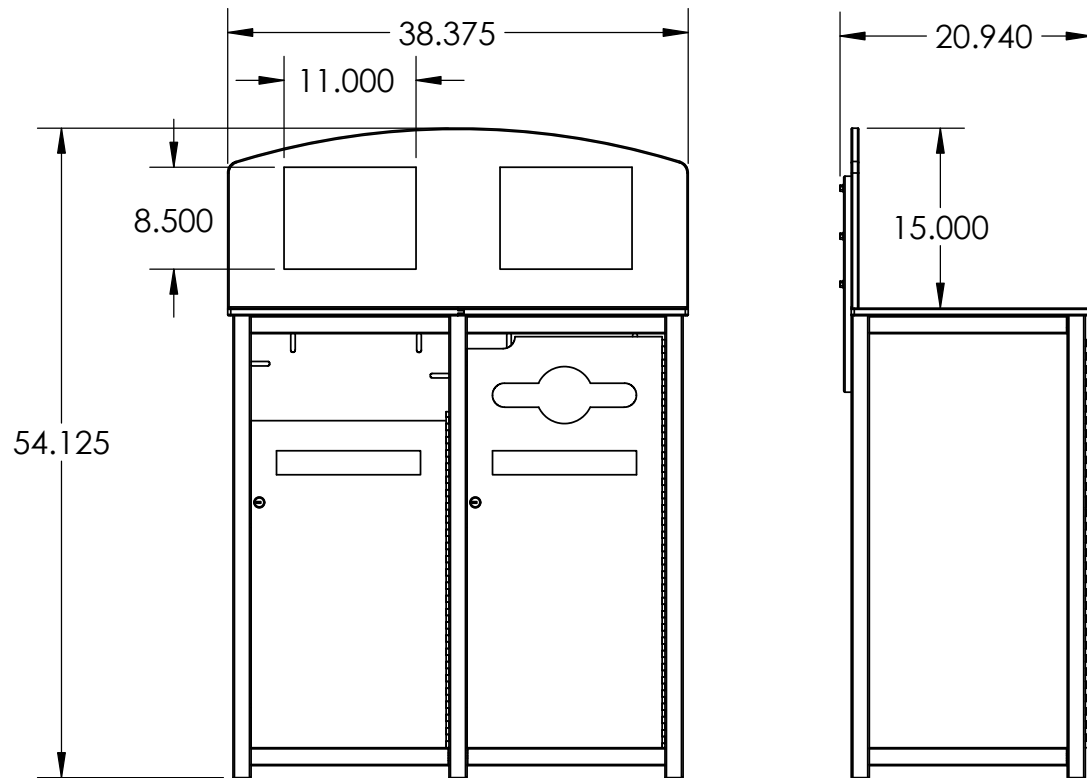
NOTE: WHEN ORDERING AN KRC4070 DOUBLE RECEPTACLE WITH A TRAY RETURN, THE TRAY RETURN WILL COME ATTACHED TO THE RECEPTACLE ALREADY. IF THE TRAY RETURN IS PURCHASED AFTER THE FACT, FOLLOW THESE INSTRUCTIONS TO ASSEMBLE AND INSTALL THE TRAY RETURN. THE CUSTOMER IS RESPONSIBLE FOR ATTACHING THEIR OWN TRAY RETURN IF PURCHASED AFTER THE FACT.

- 1) ATTACH EACH OF THE ROUNDED SECTIONS OF THE TRAY RETURN TO THE BACK PIECE USING (2) 1-5/8" FLATHEAD SCREWS PER ROUNDED PIECE. HOLES ARE PRE-DRILLED FOR THIS. SNUG THE SCREWS SECURELY BY HAND.
- 2) PLACE THE ASSEMBLED TRAY RETURN ON TOP OF THE RECEPTACLE AND CENTER IT FROM LEFT TO RIGHT, AND ABOUT 1/2" FROM THE BACK EDGE.
- 3) MARK THE INSIDE AND OUTSIDE OF WHERE THE TRAY RETURN CONTACTS THE TOP. USING MASKING TAPE TO MARK THESE LOCATIONS WORKS WELL.
- 4) DRILL 1/8" PILOT HOLES AT EACH OF (6) SCREW LOCATION (SEE DIAGRAM BELOW). IT IS REDUNDANT TO BOTH MARK THE DRILL LOCATIONS AS WELL AS MEASURE THEM, BUT ONE SERVES TO DOUBLE-CHECK THE OTHER.
- 5) FROM INSIDE THE RECEPTACLE, UNSCREW THE TOP AT ALL ATTACHMENT POINTS. SEE IMAGE BELOW/CENTER.
- 6) ATTACH THE TRAY RETURN TO THE TOP, SCREWING UP FROM BELOW THE TOP, MAKING SURE TO SCREW IN FAR ENOUGH TO DRIVE THE HEAD OF EACH SCREW FLUSH WITH THE UNDERSIDE OF THE TOP.
- 7) REATTACH THE TOP IN THE SAME LOCATION AND ORIENTATION AS IT WAS.



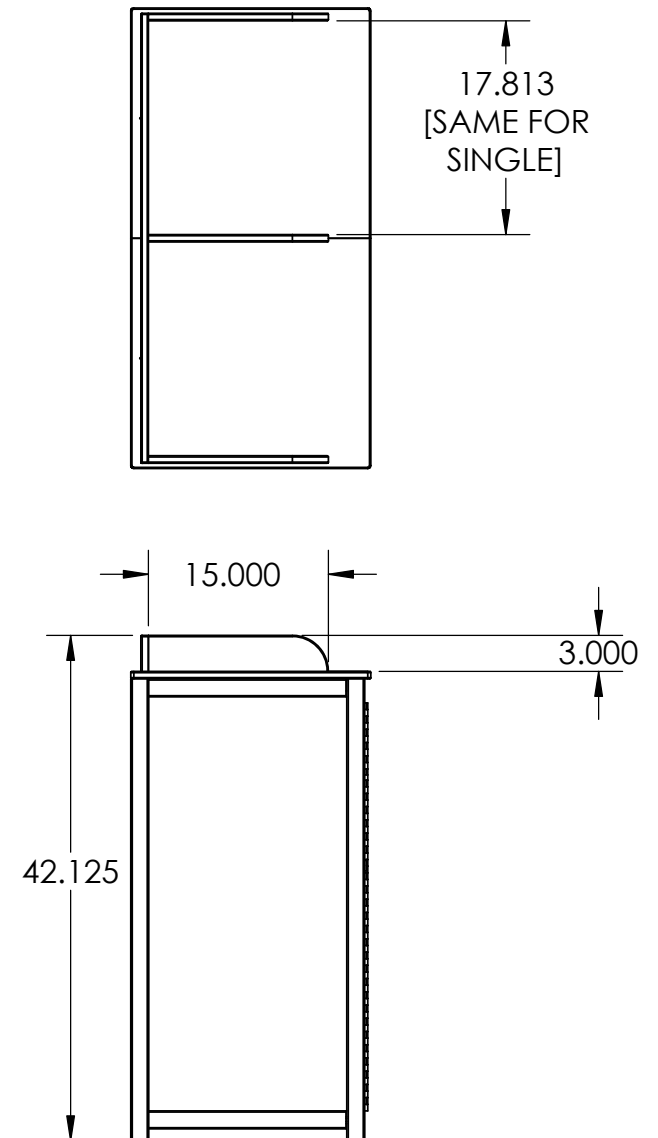
# KRC4070 DOUBLE RECEPTACLE SIGN BOARD & TRAY RETURN

## DIMENSIONS FOR SIGN BOARD



NOTE: ALL MATERIAL IS RECYCLED PLASTIC LUMBER UNLESS NOTED

## DIMENSIONS FOR TRAY RETURN



ALL DIMENSIONS ARE SHOWN IN INCHES