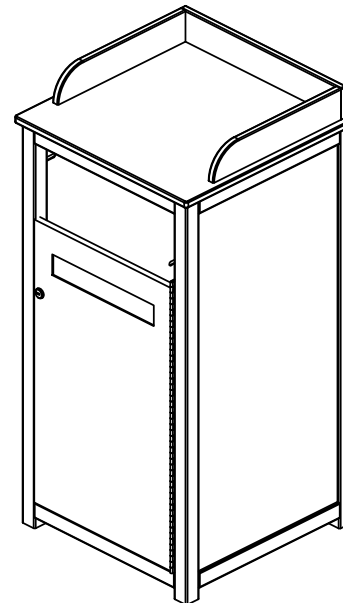
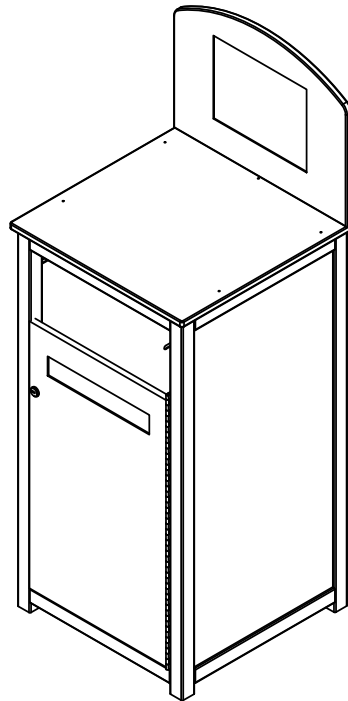


KRC4060 SINGLE RECEPTACLE (HEADBOARD & TRAY RETURN) ASSEMBLY INSTRUCTIONS

KRC4061 OR KRC4062
REV. 2
5/5/2025

THESE INSTRUCTIONS COVER THE INSTALLATION OF BOTH THE HEADBOARD AND THE TRAY RETURN, FOR THE SINGLE UNIT.

NOTE: TRAY RETURN WILL BE ATTACHED TO UNIT IF ORDERED AT THE SAME TIME AS THE RECEPTACLE. THE INSTRUCTIONS APPLY TO A RETROACTIVE TRAY RETURN INSTALLATION.



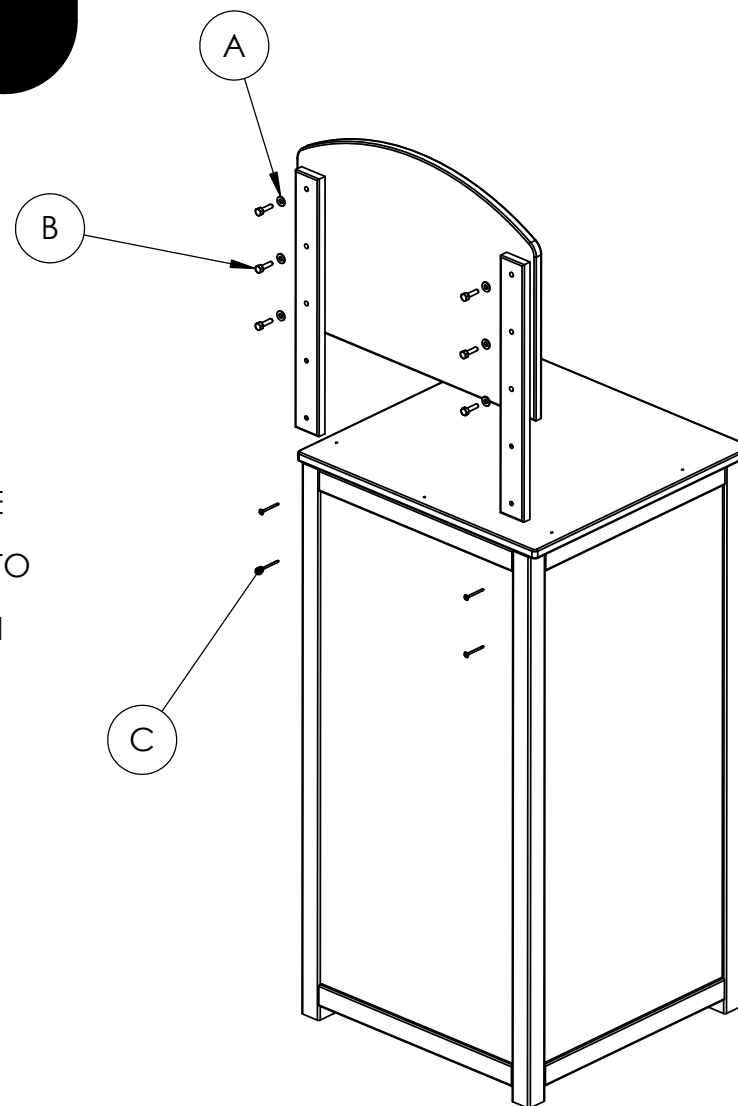
KRC4060 SINGLE RECEPTACLE HEADBOARD ASSEMBLY INSTRUCTIONS

FOR THE SINGLE RECEPTACLE, PLACE HEADBOARD FACE DOWN ON CLEAN, SMOOTH SURFACE. ATTACH (2) UPRIGHTS USING (6) FLAT WASHERS (A) AND (6) 1/4-20 X 1" HEX HEAD MACHINE SCREWS (B).

PLACE ASSEMBLED HEADBOARD ON TOP OF RECEPTACLE IN THE BACK & CENTERED LEFT TO RIGHT. NEXT, USE THE (4) 1-5/8" FLATHEAD SCREWS (C), PROVIDED, TO SECURE THE UPRIGHTS INTO THE VERTICAL POSTS. USE CAUTION WHEN DRIVING THE SCREWS IN. DRIVE SCREWS IN JUST ENOUGH SO THE SCREW IS FLUSH WITH THE SURFACE.

REQUIRED TOOLS (NOT INCLUDED)

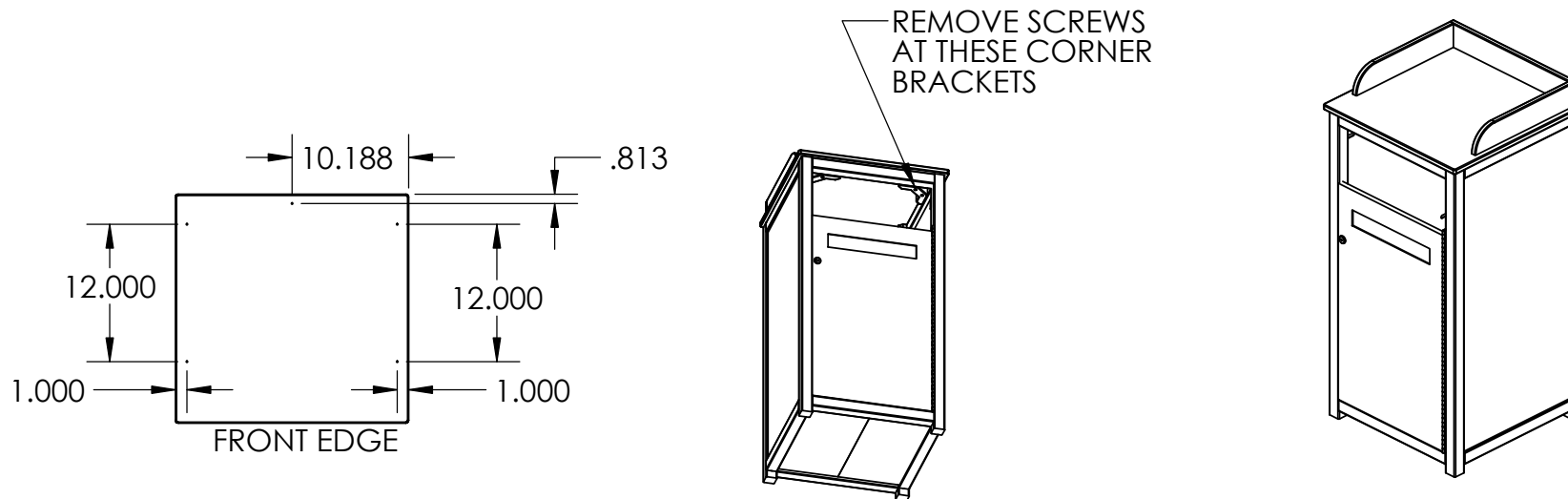
- 1 - POWER DRILL
- 1 - #2 SQUARE DRIVE BIT
- 1 - 7/16 WRENCH



KRC4060 SINGLE RECEPTACLE (TRAY RETURN INSTALLATION)

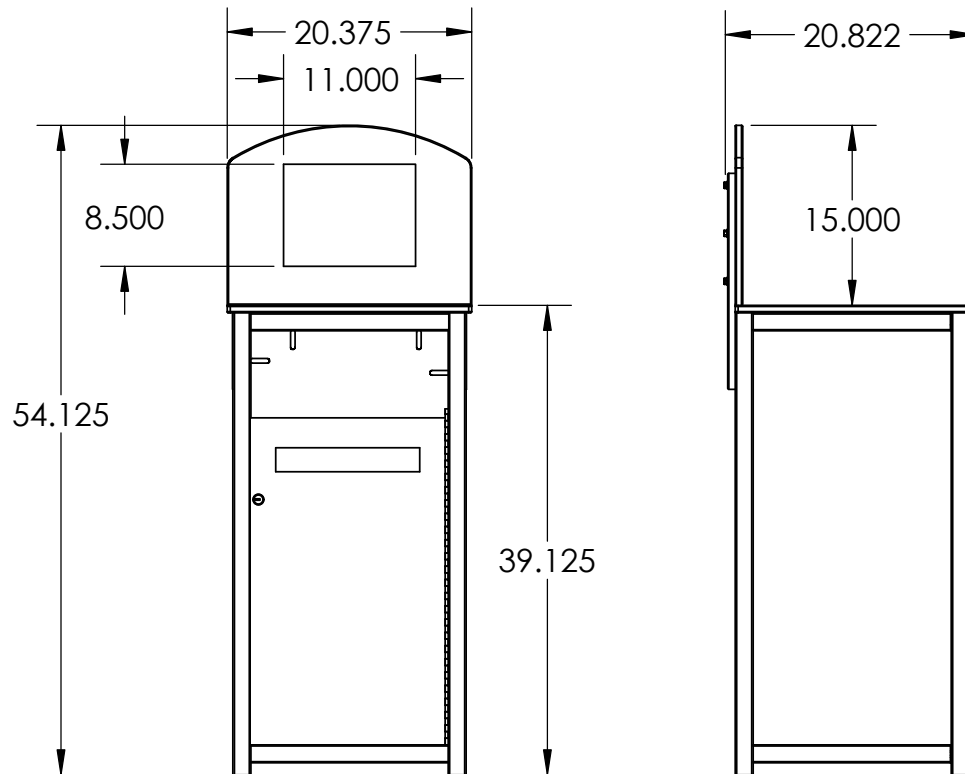
NOTE: WHEN ORDERING AN KRC4060 SINGLE RECEPTACLE WITH A TRAY RETURN, THE TRAY RETURN WILL COME ATTACHED TO THE RECEPTACLE ALREADY. IF THE TRAY RETURN IS PURCHASED AFTER THE FACT, FOLLOW THESE INSTRUCTIONS TO ASSEMBLE AND INSTALL THE TRAY RETURN. THE CUSTOMER IS RESPONSIBLE FOR ATTACHING THEIR OWN TRAY RETURN IF PURCHASED AT A SEPERATE TIME.

- 1) ATTACH EACH OF THE ROUNDED SECTIONS OF THE TRAY RETURN TO THE BACK PIECE USING (2) 1-5/8" FLATHEAD SCREWS PER ROUNDED PIECE. HOLES ARE PRE-DRILLED FOR THIS. SNUG THE SCREWS SECURELY BY HAND.
- 2) PLACE THE ASSEMBLED TRAY RETURN ON TOP OF THE RECEPTACLE AND CENTER IT FROM LEFT TO RIGHT, AND ABOUT 1/2" FROM THE BACK EDGE.
- 3) MARK THE INSIDE AND OUTSIDE OF WHERE THE TRAY RETURN CONTACTS THE TOP. USING MASKING TAPE TO MARK THESE LOCATIONS WORKS WELL.
- 4) DRILL 1/8" PILOT HOLES AT EACH OF (5) SCREW LOCATIONS (SEE DIAGRAM BELOW/LEFT). IT IS REDUNDANT TO BOTH MARK THE DRILL LOCATIONS AS WELL AS MEASURE THEM, BUT ONE SERVES TO DOUBLE-CHECK THE OTHER.
- 5) FROM INSIDE THE RECEPTACLE, UNSCREW THE TOP AT ALL ATTACHMENT POINTS. SEE IMAGE BELOW/CENTER.
- 6) ATTACH THE TRAY RETURN TO THE TOP, SCREWING UP FROM BELOW THE TOP, MAKING SURE TO SCREW IN FAR ENOUGH TO DRIVE THE HEAD OF EACH SCREW FLUSH WITH THE UNDERSIDE OF THE TOP.
- 7) REATTACH THE TOP IN THE SAME LOCATION AND ORIENTATION AS IT WAS. SEE IMAGE BELOW/RIGHT

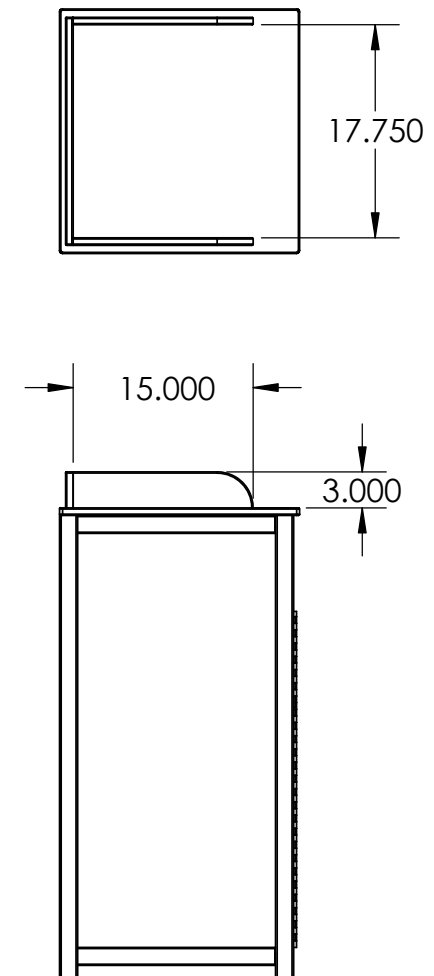


KRC4060 SINGLE RECEPTACLE HEADBOARD & TRAY RETURN

DIMENSIONS FOR HEADBOARD



DIMENSIONS FOR TRAY RETURN



NOTE: ALL MATERIAL IS RECYCLED PLASTIC LUMBER UNLESS NOTED

ALL DIMENSIONS ARE SHOWN IN INCHES