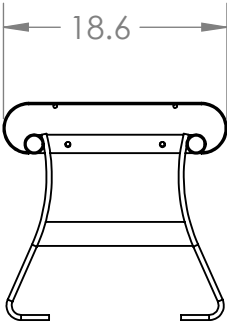
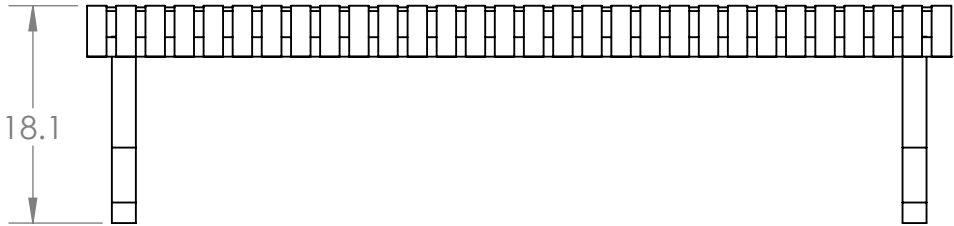
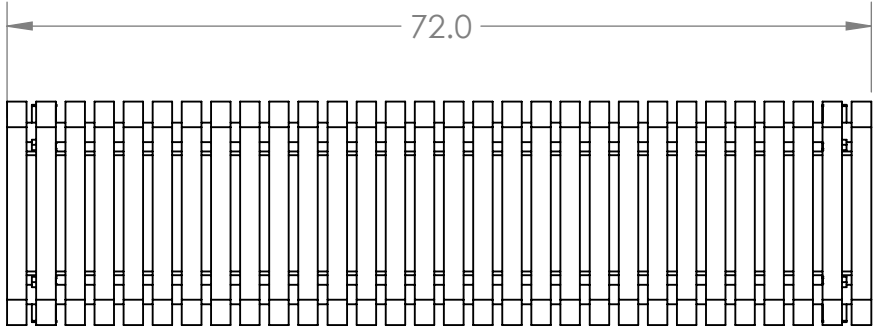
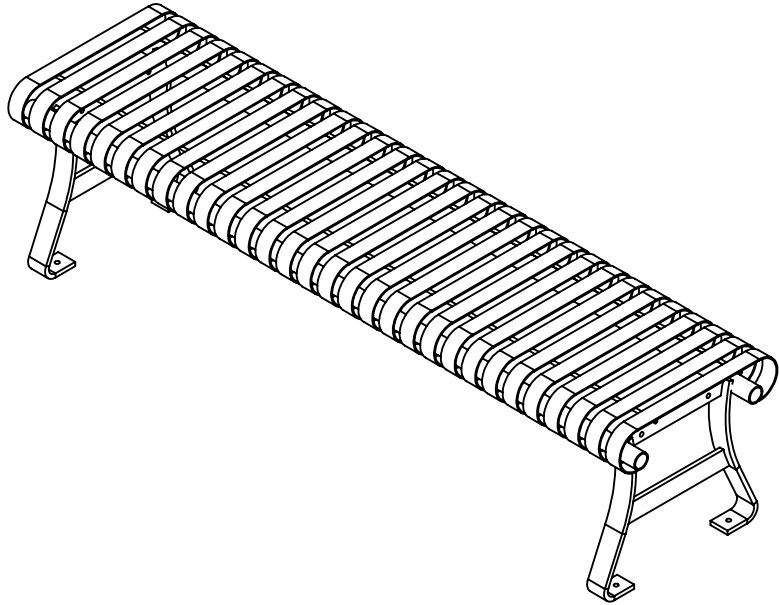


REVISIONS				
ECO#	DESCRIPTION	REV.	DATE	CHG BY



PART NAME:  
**Classic Backless Bench**

<b>PROPRIETARY AND CONFIDENTIAL</b> THE INFORMATION CONTAINED IN THIS DRAWING IS THE SOLE PROPERTY OF KIRBYBUILT. ANY REPRODUCTION IN PART OR AS A WHOLE WITHOUT THE WRITTEN PERMISSION OF KIRBYBUILT IS PROHIBITED.	<b>UNLESS OTHERWISE SPECIFIED</b> DIMENSIONS ARE IN INCHES TOLERANCES: FRACTIONAL $\pm 1/16$ ANGULAR DEGREES: $\pm 1^\circ$ TWO PLACE DECIMAL $\pm .01$ THREE PLACE DECIMAL $\pm .005$	MATERIAL:	DATE CREATED: <b>11/27/2024</b>
		MATERIAL DESCRIPTION:	DRAWN BY:
		SCALE: 1:16	SHEET 1 OF 1

SIZE DESCRIPTION:  
**A**