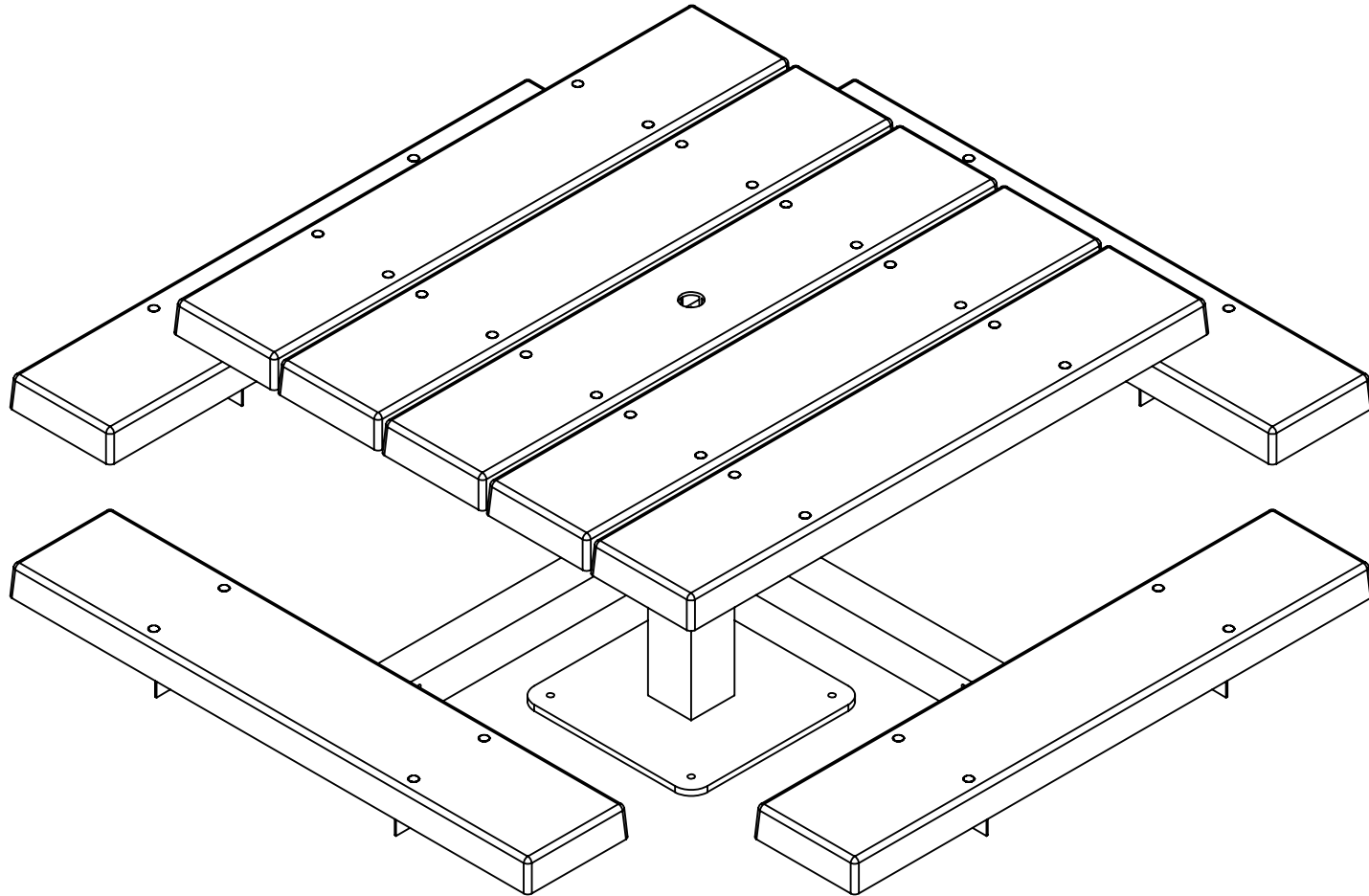
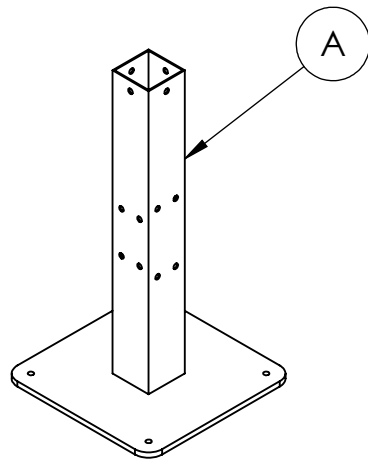


**Square Surface Mount
Table Instructions
BM1215**

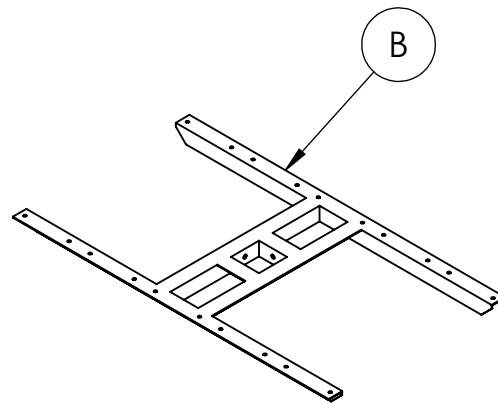
REV# 2
8-19-2016



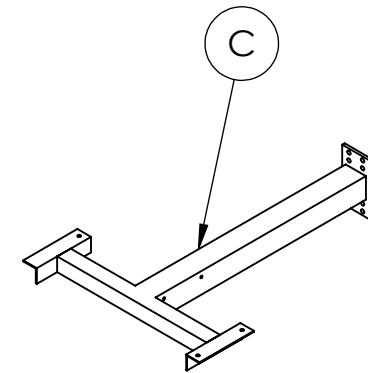
Square Surface Mount Table Instructions BM1215



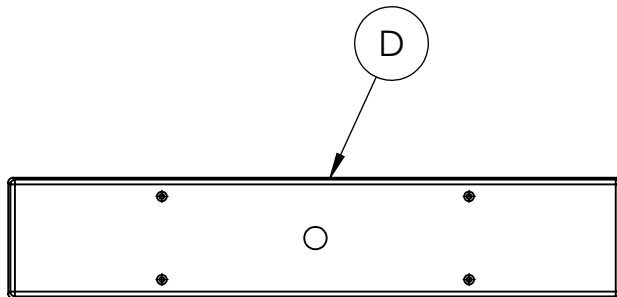
1
CENTER POST



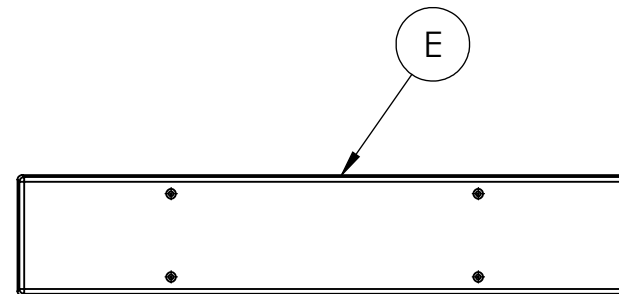
1
TOP SUPPORT FRAME



4
SEAT SUPPORT FRAME



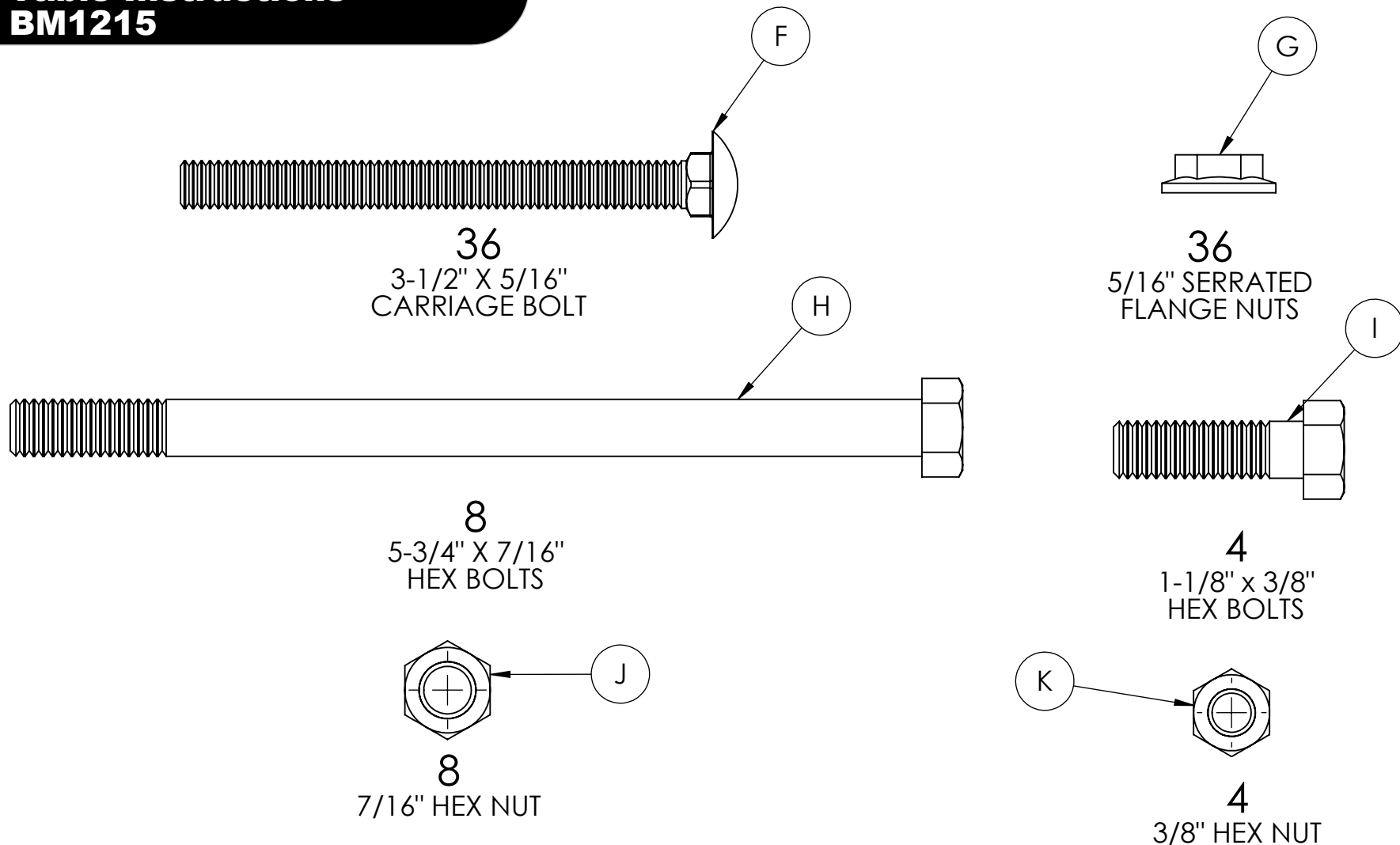
1
PLASTIC BOARD
WITH UMBRELLA HOLE



8
PLASTIC BOARDS

**HARDWARE &
TOOLS REQUIRED
FOR ASSEMBLY**

Square Surface Mount Table Instructions BM1215



REQUIRED TOOLS (NOT INCLUDED)

- 1 - 1/2" SOCKET
- 1 - 9/16" WRENCH
- 1 - 9/16" SOCKET
- 1 - 5/8" WRENCH
- 1 - 5/8" SOCKET

NOTE: IT IS IMPORTANT TO KEEP ALL BOLTS FINGER TIGHT DURING ASSEMBLY UNTIL ENTIRE TABLE IS ASSEMBLED

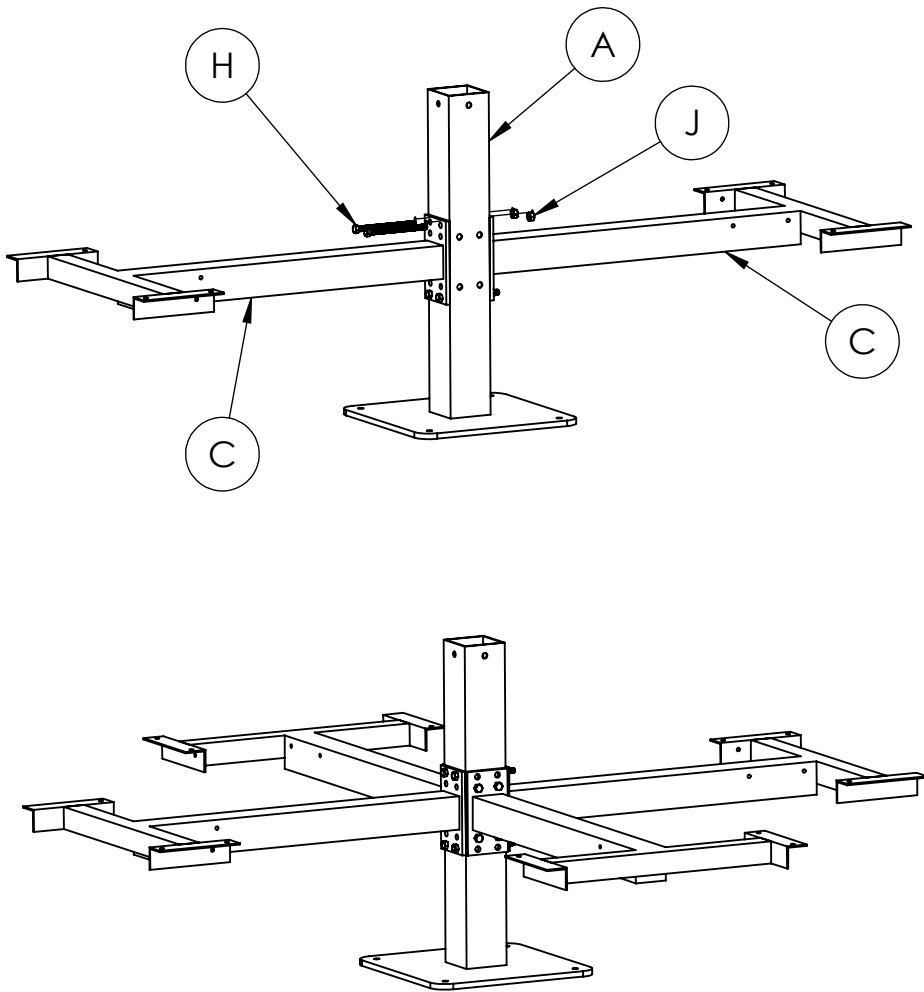
**HARDWARE &
TOOLS REQUIRED
FOR ASSEMBLY**

3/6

Square Surface Mount Table Instructions BM1215

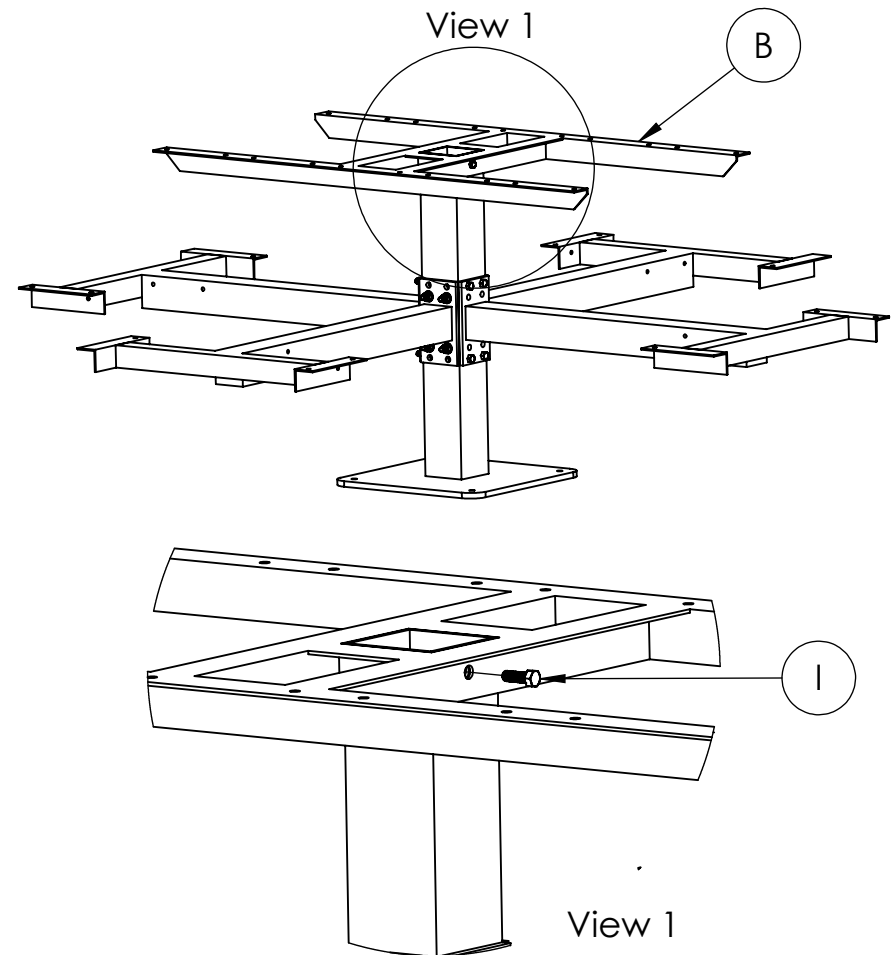
STEP 1 Seat Frame Assembly

- Stand the center post (A) up right
- Bolt two seat supports (C) to opposite sides with four 5-3/4" x 7/16" hex bolt (H) and four 7/16" hex nuts
- Repeat for the remaining two seat supports



STEP 2 Top Support Assembly

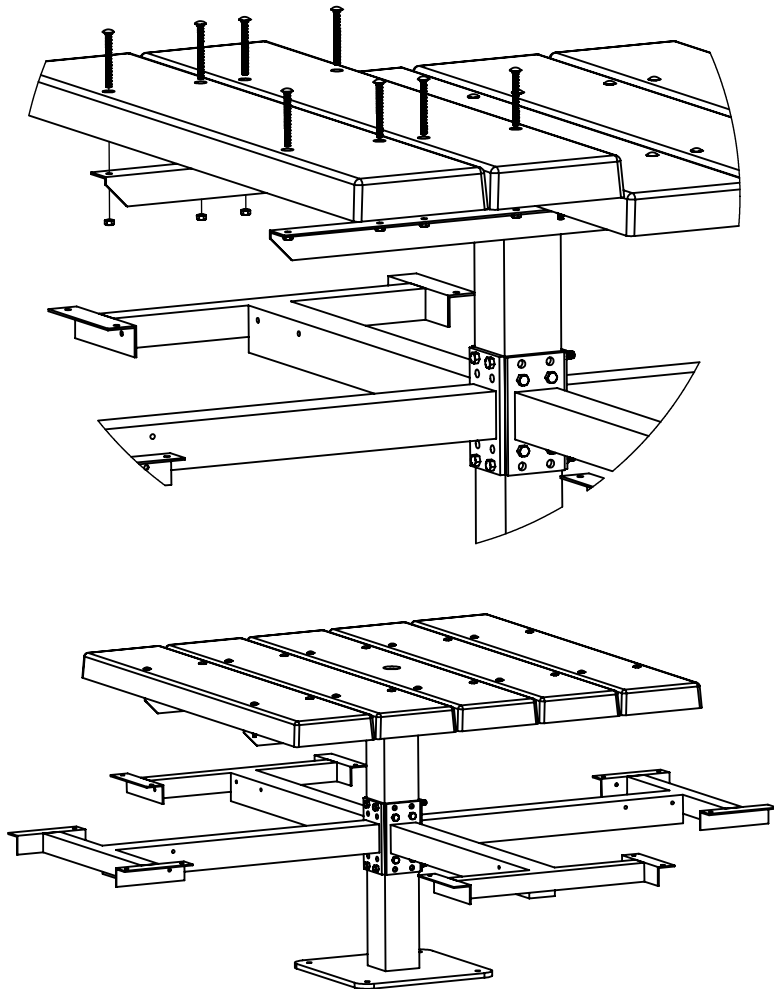
- Slide the top support frame (B) over the top to the center post (A)
- Align the holes in the center post and the top support frame
- Secure the top support frame (B) to the center post (A) with four 1-1/8" x 3/8" hex bolts (I) and four 3/8" hex nuts (K)



Square Surface Mount Table Instructions BM1215

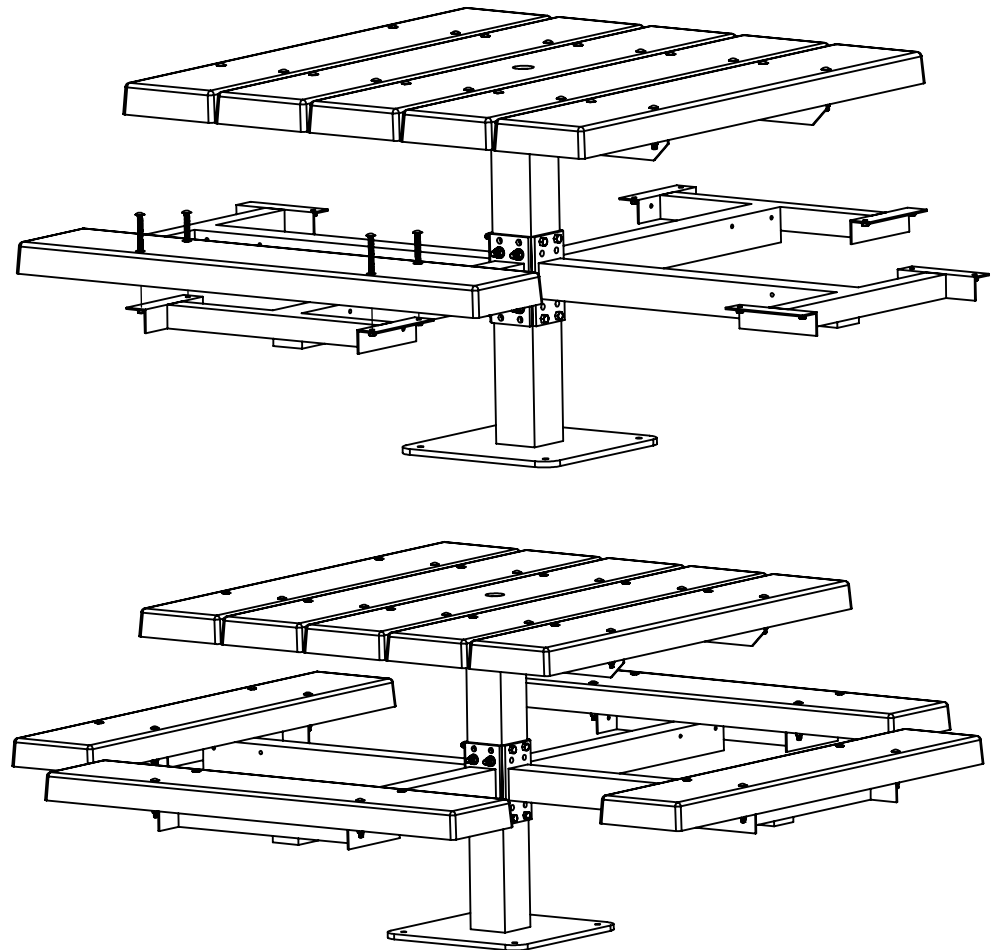
STEP 3 Top Assembly

- Place the board with the umbrella hole (D) in the center of the top support frame (B)
- Place four other boards (E) on the top support frame (B)
- Secure the boards to the top support frame with twenty 3-1/2" x 5/16" carriage bolts (F) and 5/16" flange nuts (G)



STEP 4 Seat Assembly

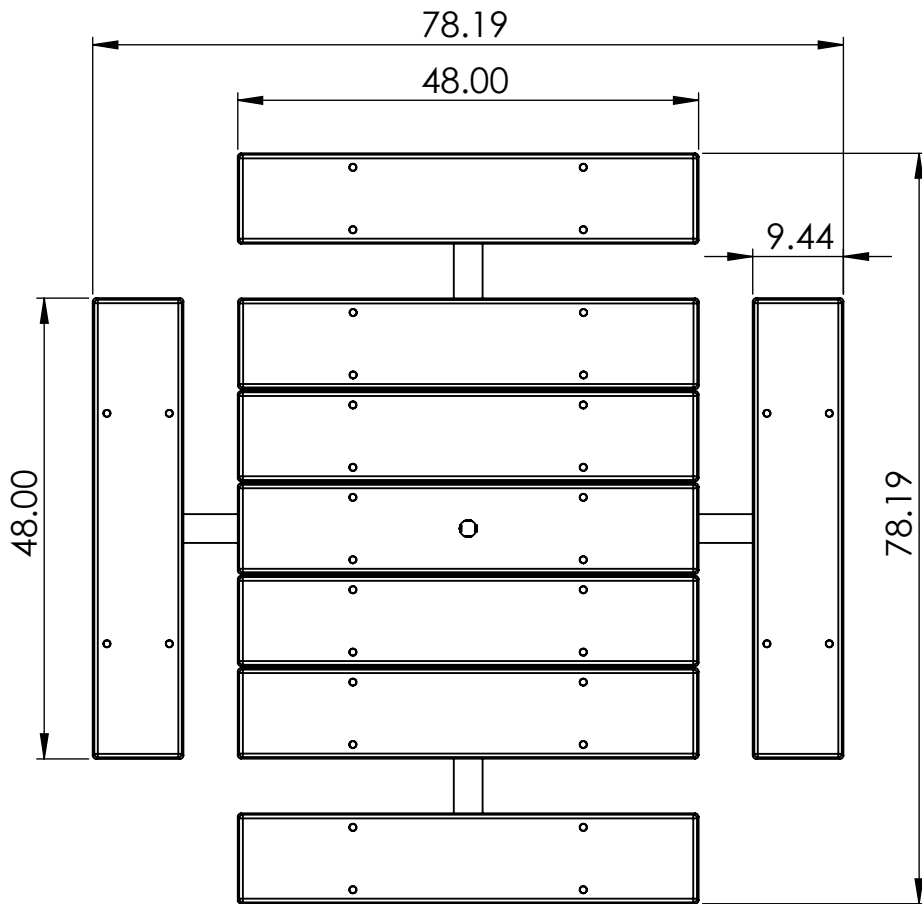
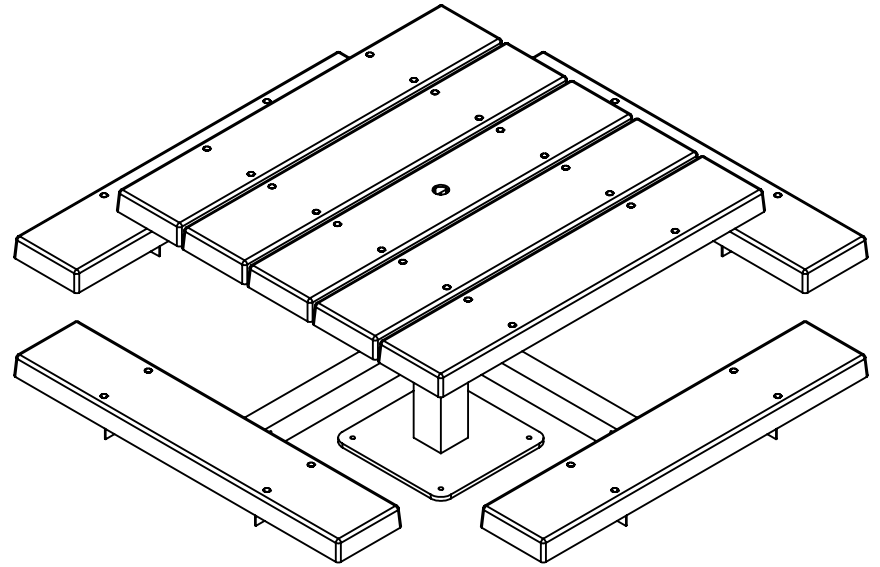
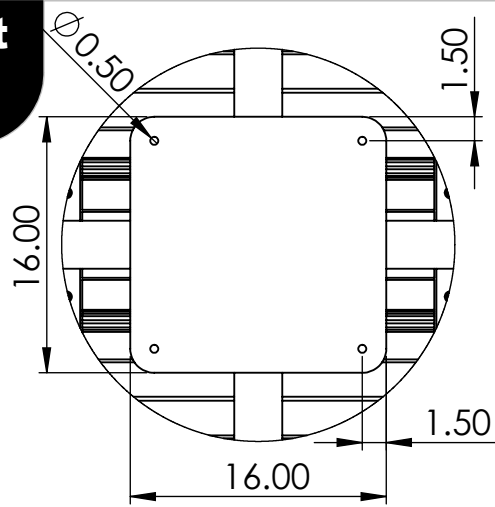
- Place a board (E) over the seat support frame (C)
- Align the holes in the board with the holes in the frame
- Secure the board to the frame with four 3-1/2" x 5/16" carriage bolts (F) and 5/16" flange nuts (G)
- Repeat for each seat area
- Secure table to ground with proper hardware before use



Square Surface Mount Table Instructions BM1215

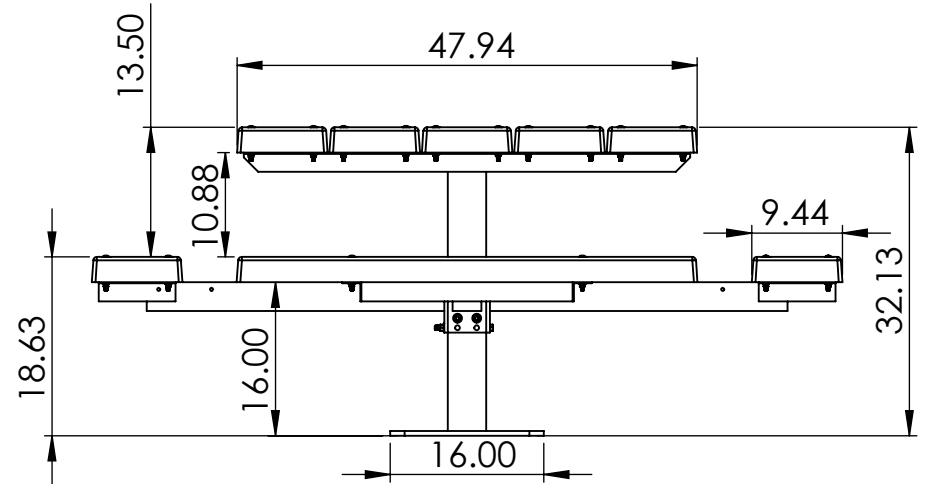
REV# 2
8-19-2016

MOUNTING PLATE DETAIL



TOP

ALL DIMENSIONS ARE SHOWN IN INCHES



SIDE