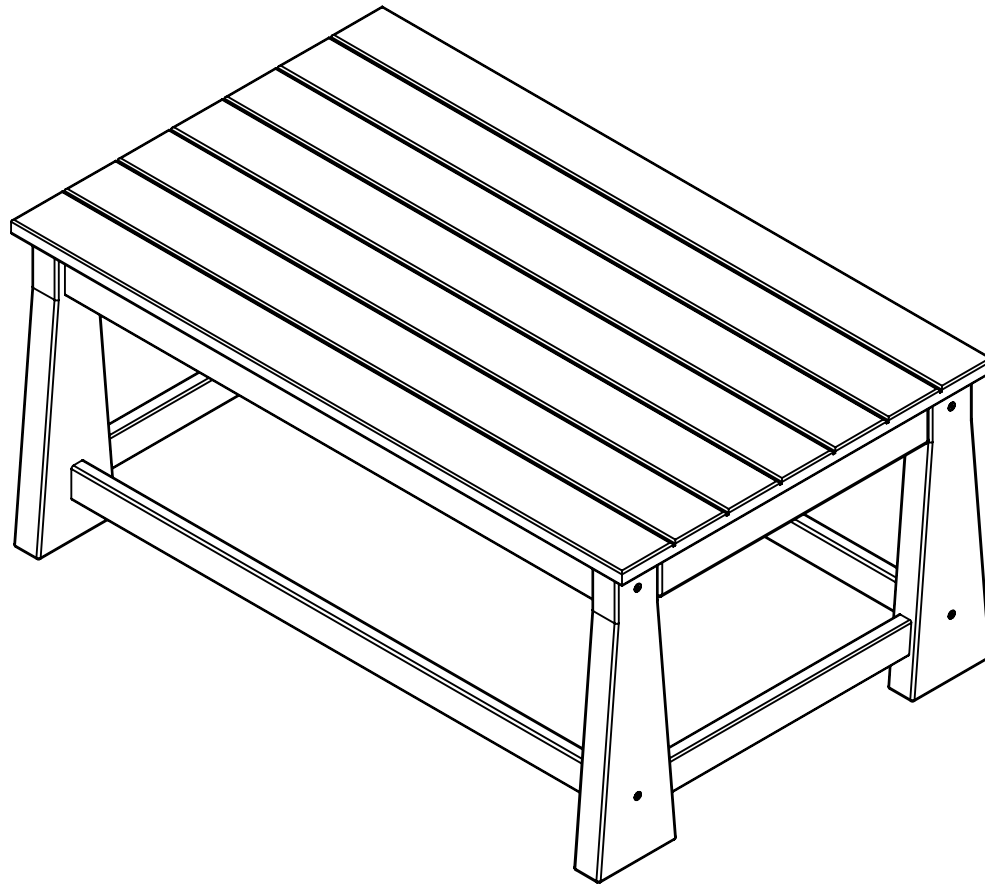
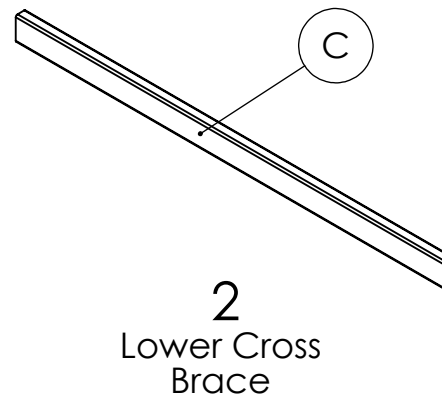
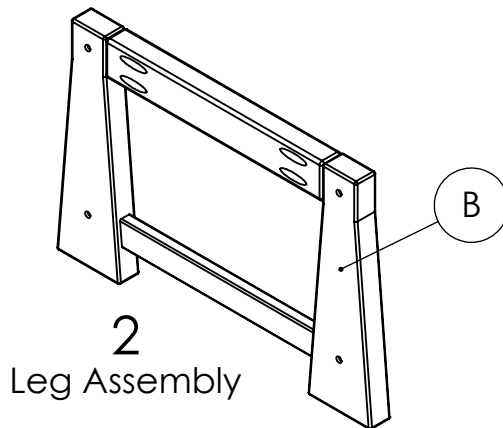
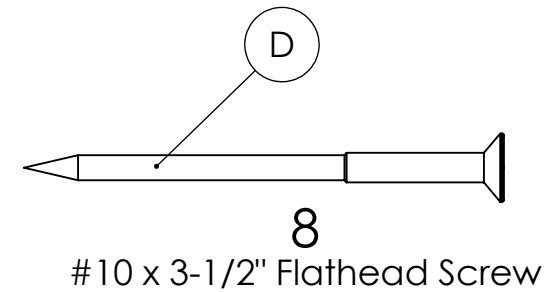
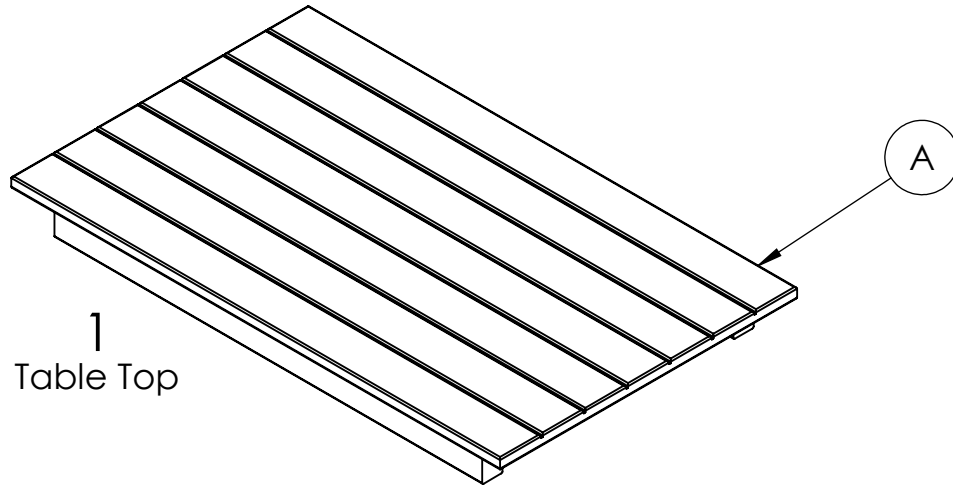


# TABLE INSTRUCTIONS

CF1130 REV# 2  
9-12-2022



# TABLE INSTRUCTIONS



## REQUIRED TOOLS (NOT INCLUDED)

- POWER DRILL
- #2 SQUARE DRIVE

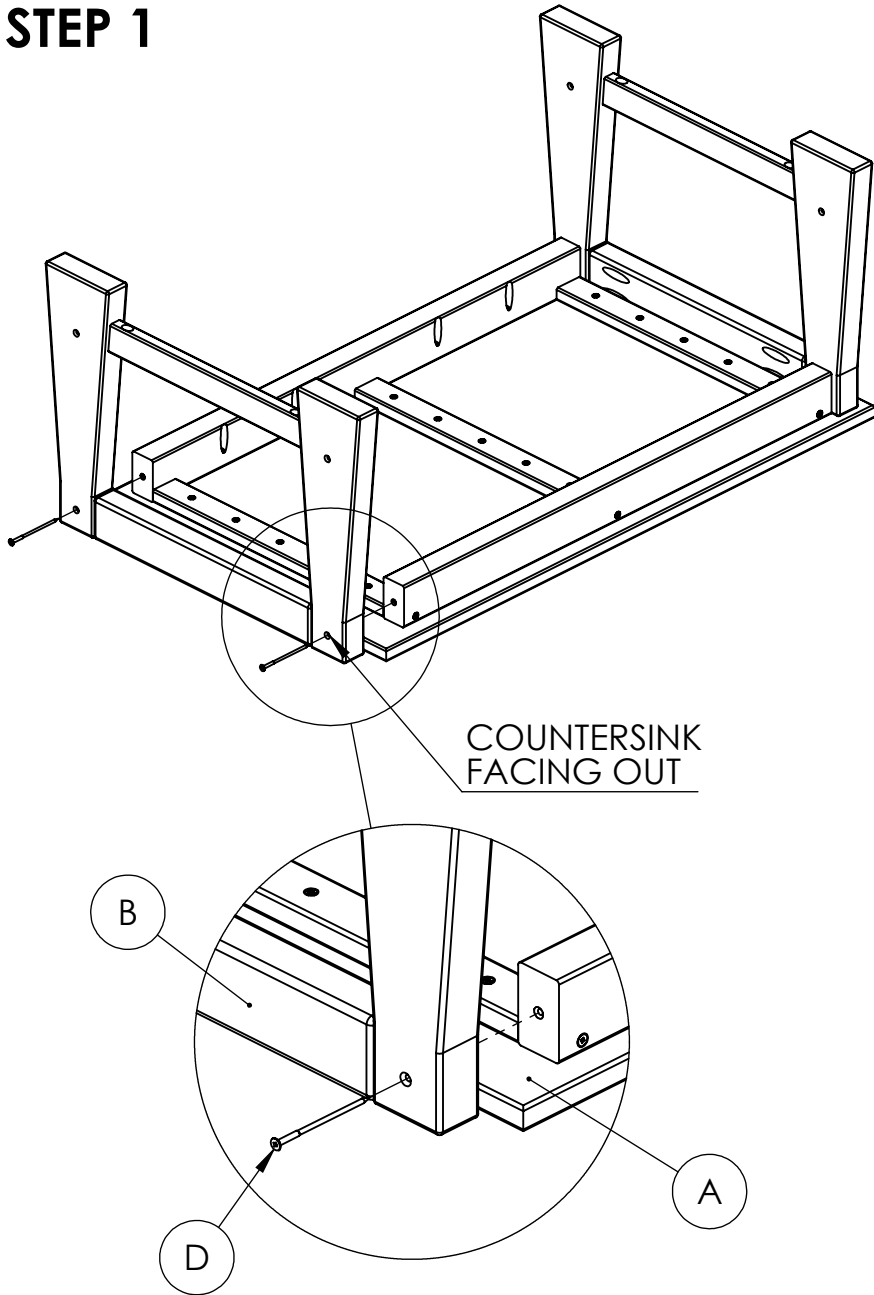
**NOTE:** IT IS IMPORTANT TO KEEP ALL SCREWS LOOSE DURING ASSEMBLY UNTIL ENTIRE TABLE IS ASSEMBLED

**HARDWARE &  
TOOLS REQUIRED  
FOR ASSEMBLY**

**2/5**

# TABLE INSTRUCTIONS

## STEP 1



## STEP 2

