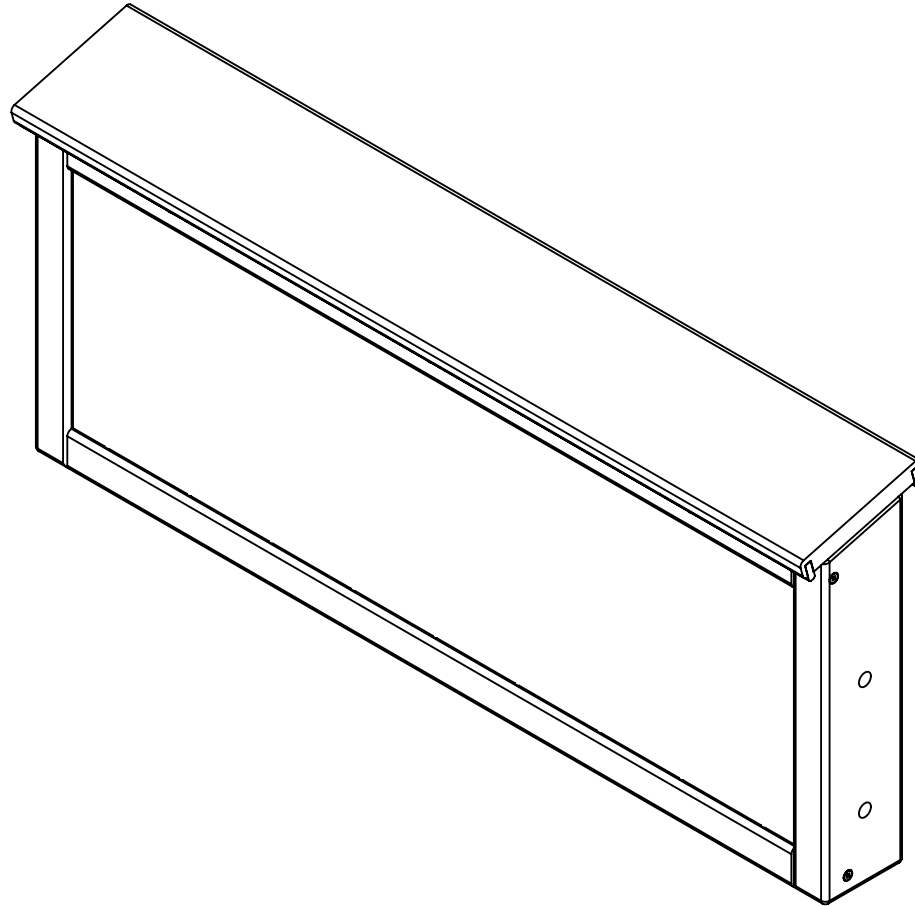
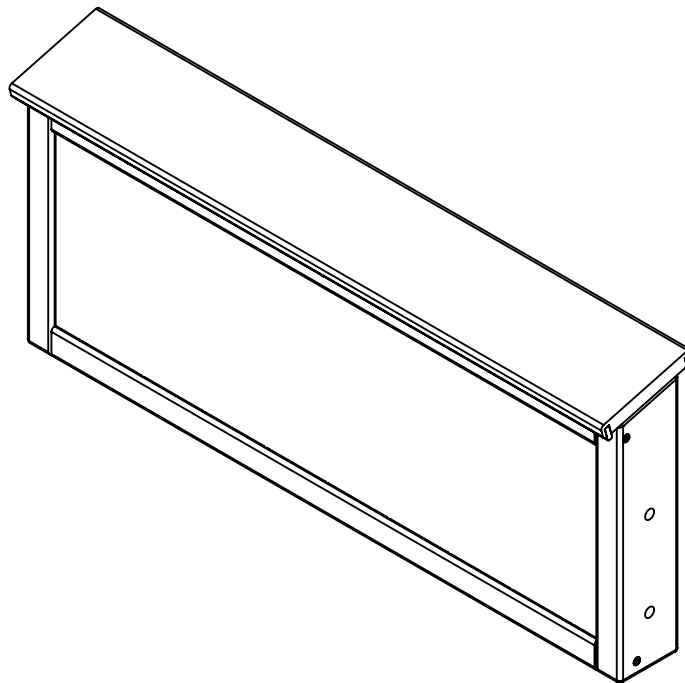


LITERATURE RACK ASSEMBLY INSTRUCTIONS

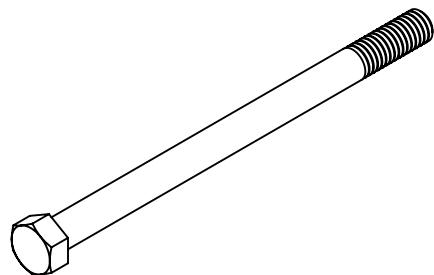


LITERATURE RACK ASSEMBLY INSTRUCTIONS



LITERATURE RACK
1X
AMC9005, AMC9006, AMC9007

LITERATURE RACK ASSEMBLY INSTRUCTIONS



3/8" X 5" HEX HEAD BOLT
4X
F0001



3/8" FLAT WASHER
4X
F0002

**REQUIRED TOOLS
(NOT INCLUDED)**
1 - 9/16" WRENCH

**HARDWARE &
TOOLS REQUIRED
FOR ASSEMBLY**

2/3

LITERATURE RACK ASSEMBLY INSTRUCTIONS

