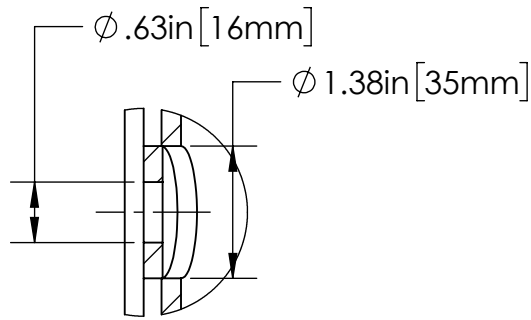
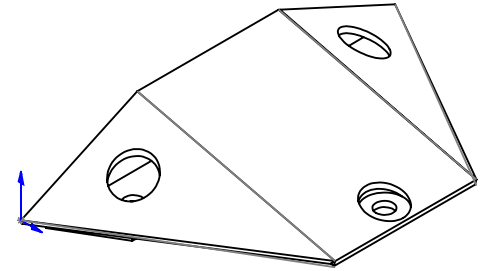
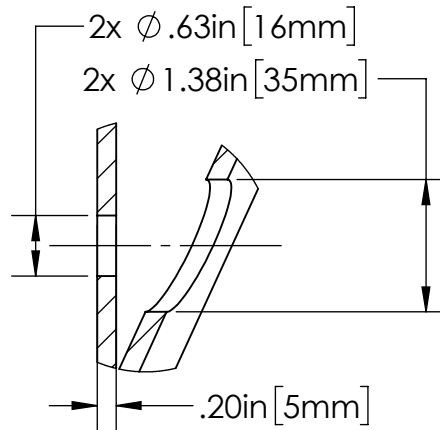


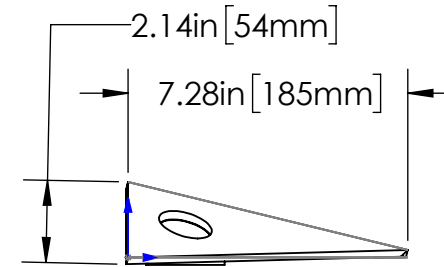
Metal Speed Bump - End Caps Specifications



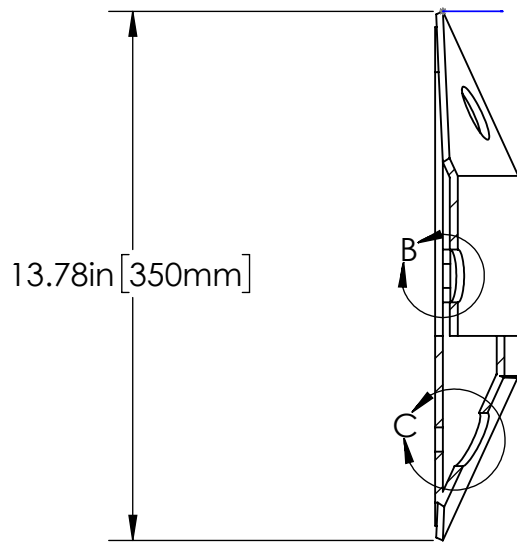
DETAIL B
SCALE 1 : 2



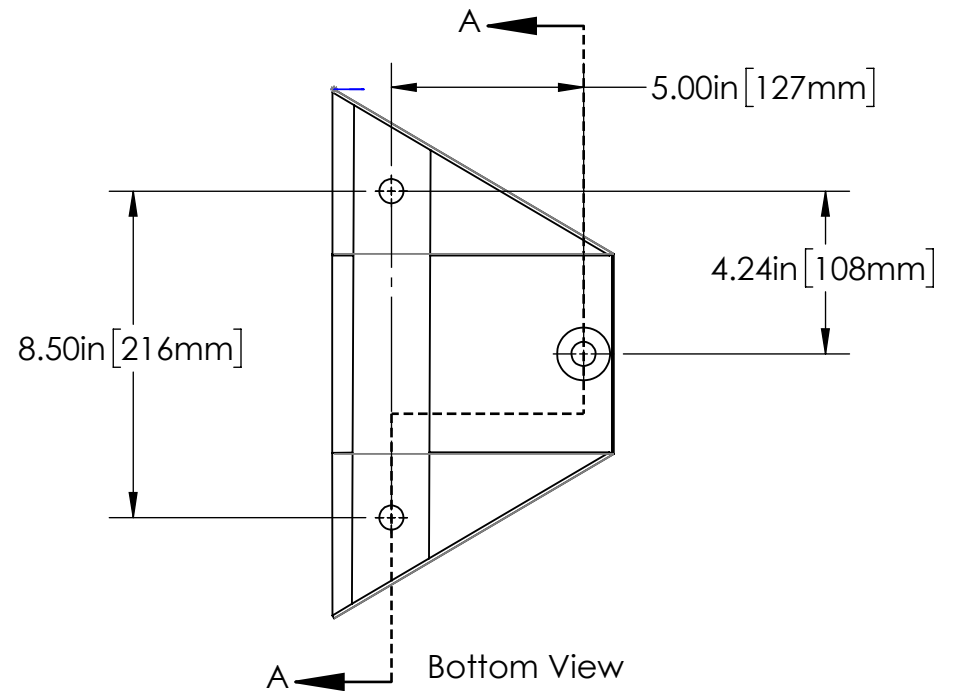
DETAIL C
SCALE 1 : 2



Side View



SECTION A-A



Bottom View