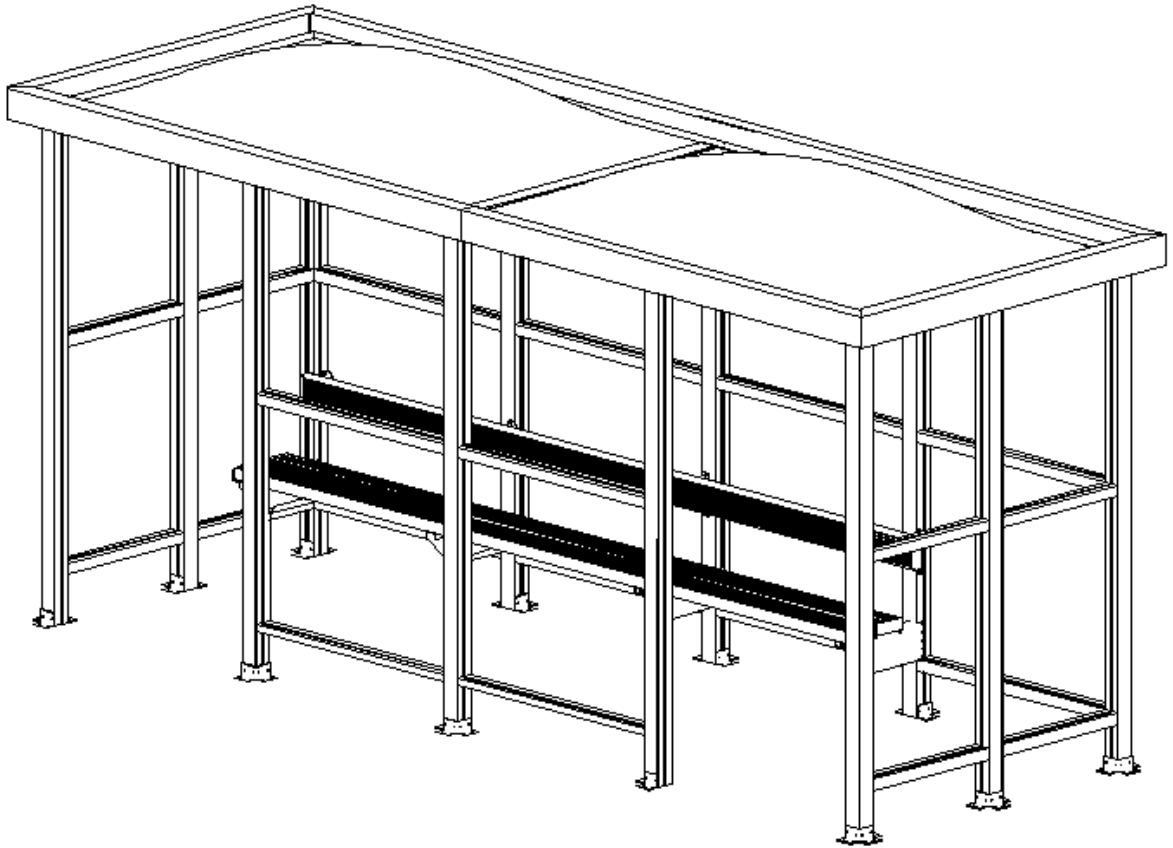


---

---

## *Installation Instructions*

# DOME ROOF Prefabricated Shelter with one or two openings



### **We are here to help!**

We do our best to ensure that the shelter arrives to your location in excellent condition. In the event that a part arrives damaged or missing or if you need some installation assistance please call Customer Service.

It is possible that this product could incur damage during transit. Inspect the unit closely when it arrives. If you see evidence of damage to either the packaging or the product **immediately** make a note of it on the Bill of Lading. It is important to open the packaging upon its arrival to ensure there is no concealed damage and if there is damage to enable a timely claim with the freight carrier. Unpack all materials and verify quantities to the pack list provided before starting assembly. Consult Customer Service if you have any questions or problems before or during installation or if optional features are not covered in these instructions.

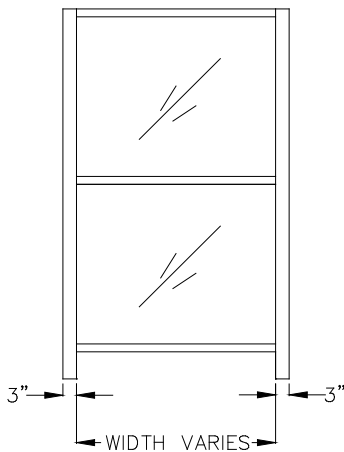
# **Installation Instructions**

## **Tools Required for Assembly**

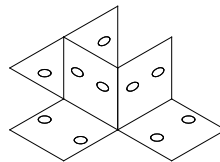
- 1.) Rubber mallet
- 2.) Power screw gun with 5/16" & 1/4" nut driver bits.
- 3.) Pop rivet gun
- 4.) Power drill with a 1/8" drill bit
- 5.) 25' tape measure
- 6.) Steel claw hammer
- 7.) Caulk gun (10.3 oz. tube size)
- 8.) Chalk line
- 9.) Rotary hammer / masonry power drill with 1/4" masonry drill bit.
- 10.) Vise grips - C style with wide grip opening and end pads (clamps)
- 11.) 1-1/4" Hole saw

Please read installation instructions thoroughly once prior to beginning installation. Call our Customer Service if you need clarification of these assembly instructions.

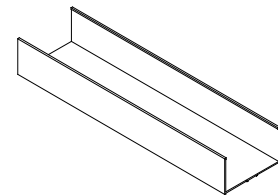
## **PARTS IDENTIFICATION**



**TYPICAL VENTED WALL SECTION**  
**QTY: (SEE SHIP LIST)**



**ANCHORING SHOE**  
**QTY: (SEE SHIP LIST)**



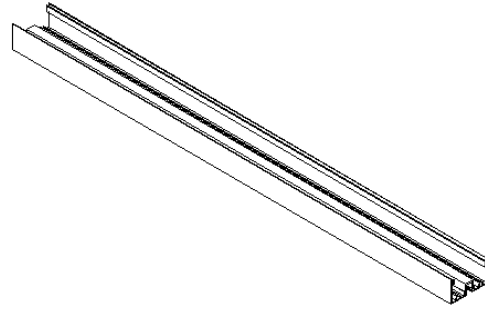
**U - CHANNEL**  
**QTY: (SEE SHIP LIST)**

## ***Installation Instructions***



**HALF POST**

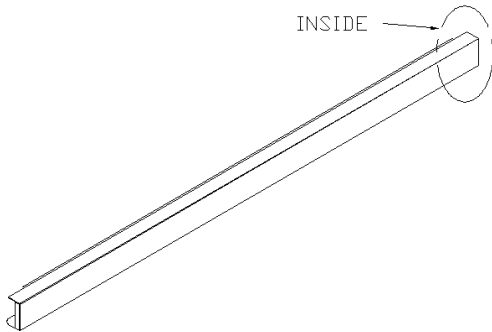
**QTY: (SEE SHIP LIST)**



**MASTER FRAME**

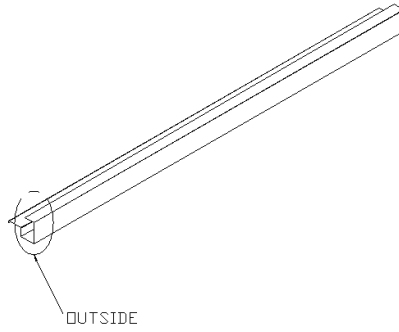
**QTY: (SEE SHIP LIST)**

## **PARTS IDENTIFICATION (cont.)**



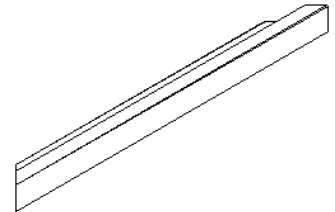
**FASCIA -  
LEFT INSIDE**

**QTY: (SEE SHIP LIST)**



**FASCIA  
RIGHT OUTSIDE**

**QTY: (SEE SHIP LIST)**



**FASCIA DOUBLE MITERED**

**QTY: (SEE SHIP LIST)**



**ROOF DOME**

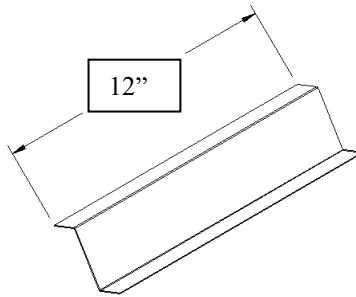
**QTY: (SEE SHIP LIST)**

# ***Installation Instructions***

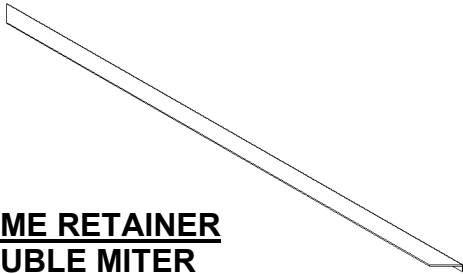
## **PARTS IDENTIFICATION (cont.)**



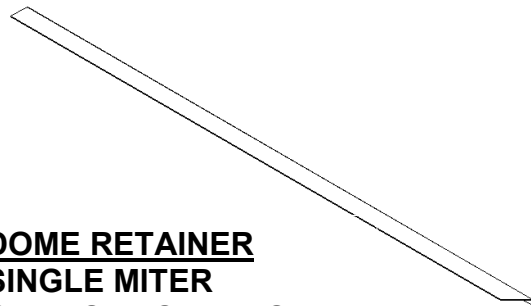
**WEATHER TAPE**  
**QTY: (SEE SHIP LIST)**



**Z-BRACE**  
**QTY: (SEE SHIP LIST)**



**DOME RETAINER**  
**DOUBLE MITER**  
**QTY: (SEE SHIP LIST)**



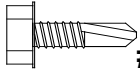
**DOME RETAINER**  
**SINGLE MITER**  
**QTY: (SEE SHIP LIST)**

---

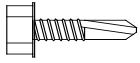
---

## ***Installation Instructions***

### **FASTENER IDENTIFICATION** **FOR QUANTITY SEE SHIPPING LIST**



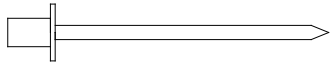
**#10 x 3/4" HEX HEAD SELF DRILLING / TAPPING SCREW (COLOR OF SHELTER)**



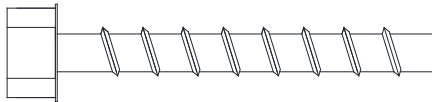
**#10 x 1" HEX HEAD SELF DRILLING / TAPPING SCREW (GALVANIZED)**



**#12 x 1 1/4" HEX HEAD SELF DRILLING / TAPPING SCREW (GALVANIZED)**  
**WITH NEOPRENE WASHER**



**3/16" ALUMINUM POP RIVET**



**1/4" x 1 7/8" HILTI KWIK HUS EZ SCREW ANCHOR**

Unpack all materials and verify quantities to the pack list provided before starting assembly. Consult Customer Service if you have any questions or problems before or during installation or if optional features are not covered in these instructions.

### **STEP 1**

The shelter should be installed in the center of the existing concrete pad (unless otherwise specified). To achieve this, take the outside measurements of the concrete pad and compare them to the outside dimensions of the shelter as provided on plan view of submittal drawings.

After determining the placement of the shelter, snap a chalk line to mark the perimeter of the shelter. Check the chalk lines for square by measuring from corner to corner and adjust layout until measurements are equal.

### **STEP 2**

Unpack the wall sections from the crate.

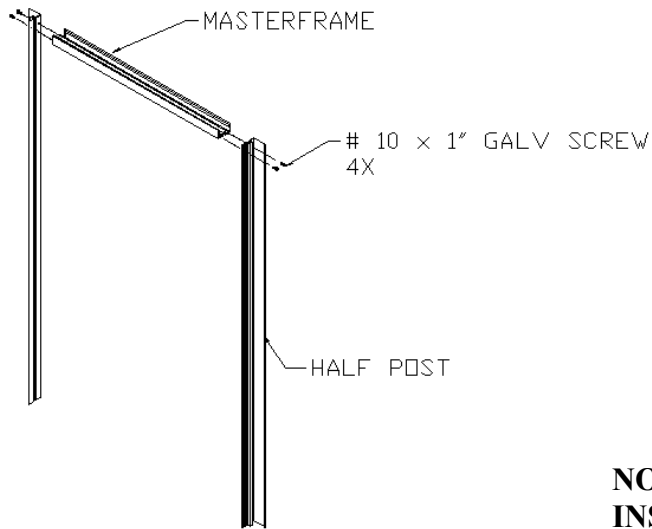
**See Figure 1** for entrance/exit assembly(s). Screw master frame and half posts together using

---

---

## ***Installation Instructions***

# 10 x 1" screws. Note: half posts are pre-drilled.

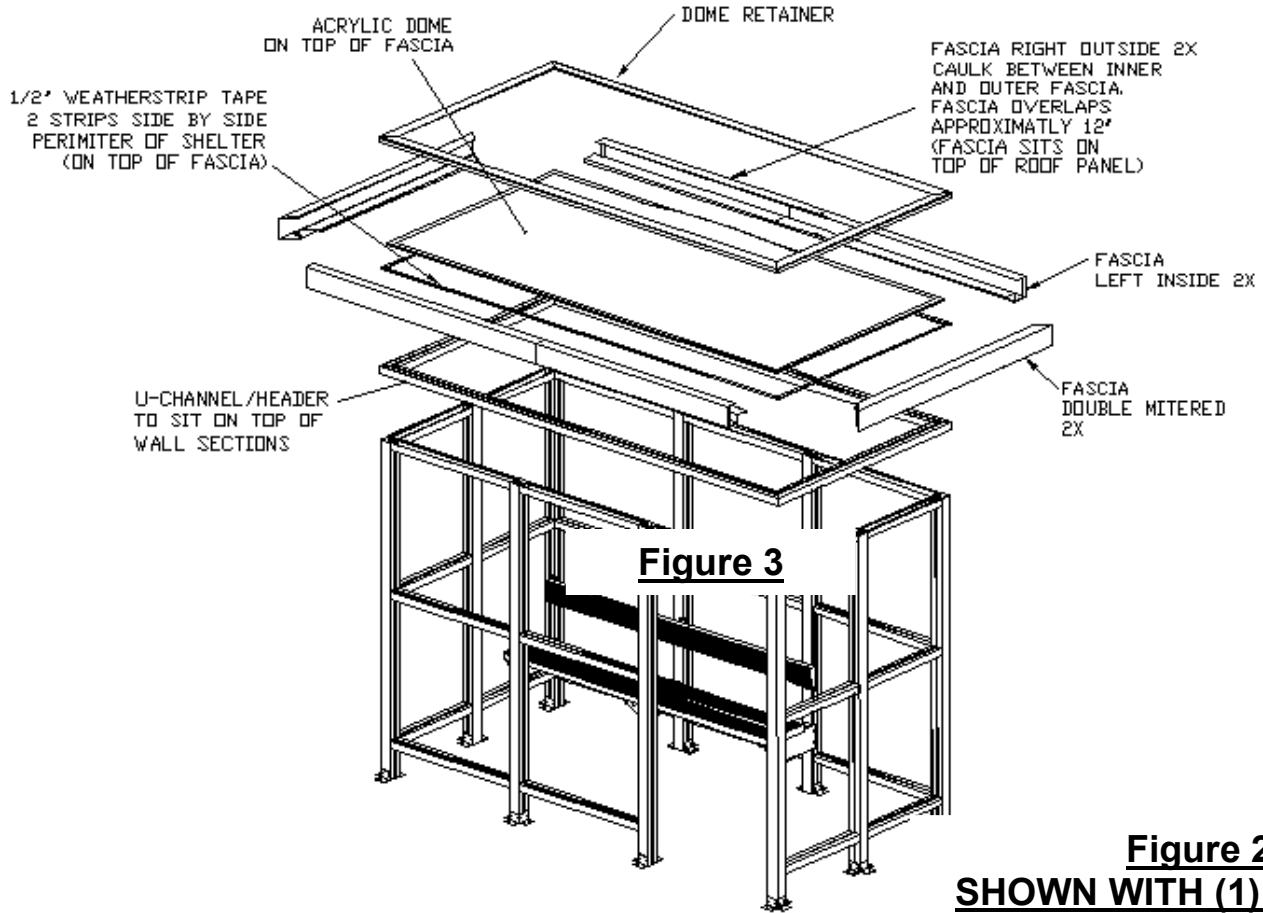


**NOTE: ASSEMBLE PRIOR TO  
INSTALLING IN WALL SECTIONS.**

**Figure 1**

**CAUTION: AS YOU ASSEMBLE THE SEQUENTIALLY NUMBERED PANELS BE SURE THE PANELS CREATE THE SHELTER ASSEMBLY PATTERN IN FIGURE 2 BELOW. OPENING(S) MAY DIFFER FROM MODEL SHOWN. CHECK INSTALL LAYOUT FOR LOCATION(S)**

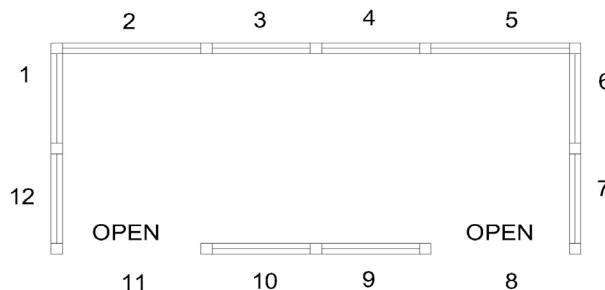
# Installation Instructions



**Figure 2**  
**SHOWN WITH (1) OPENING**  
**(2) OPENINGS AVAILABLE**

## STEP 3

Note that the wall sections are numbered, in sequence, starting at #1 and start in a corner. See Figure 3. (Depending on model, panel 11 may be an opening.)



---

---

# Installation Instructions

## STEP 3 (cont.)

Start with the #1 & #2 wall sections (they should make a corner connection). Stand up the wall sections #1 & #2 placing the corner posts male to female connections next to each other. Snap the two wall sections together by lightly hitting the sections at the connection point with a rubber mallet and continuing from the top to the bottom of the post. Proceed with the remaining wall sections in the same manner, continuing with the next appropriate number until all panels and entrance/exit assembly is complete. **Caution: Be certain wall sections are secured from falling over until shelter is fully anchored to concrete pad.**

## STEP 4

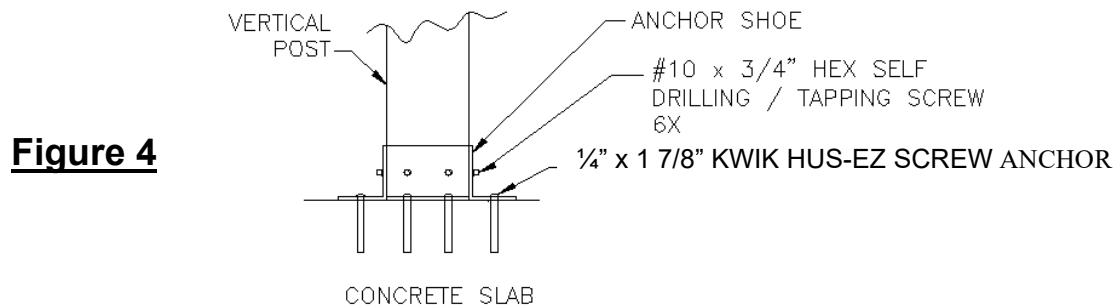
After all the walls of the shelter are assembled, measure from corner to corner again to ensure the shelter is square. Adjust layout if necessary.

## STEP 5

Anchor the shelter to the concrete pad. **See Figure 4.**

Fit the anchoring shoes around the exterior of each of the posts. Although six holes are provided in anchor shoe, only 4 anchors per shoe are required. Mark the holes to be drilled in concrete pad using the anchor shoe as a template. Remove the anchor shoe and drill into the concrete pad. Be sure the holes are deep enough for the Screw Anchors to anchor shelter properly. See Hilti screw anchor install attached.

Fit the anchoring shoes around the exterior of each of the posts and attach the shoes to the posts with the #10 x 3/4" hex head self-tapping screws in the holes provided. Screw 1/4" x 1 7/8" Hilti screw anchors provided.



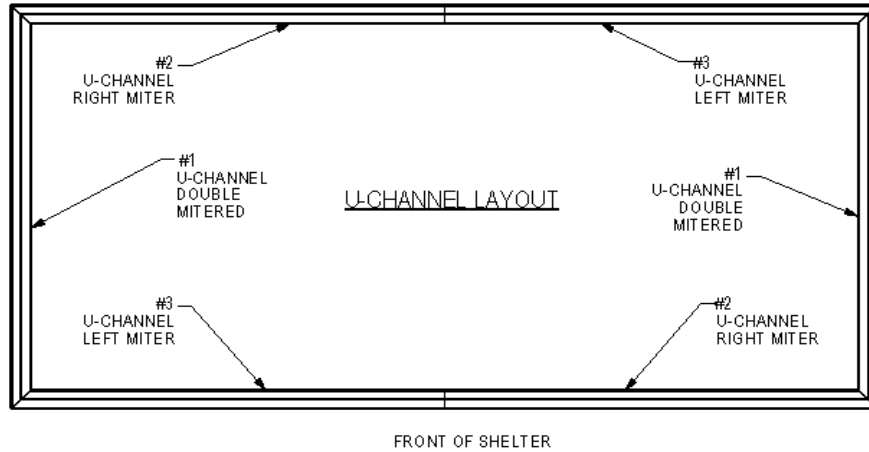
## STEP 6

Install the u-channel on top of the wall sections. **See Figure 5A** for layout. Attach u-channel to top of wall sections on the inside only with #10x3/4" self tapping screws, 12" on center. **See Figure 5B.**

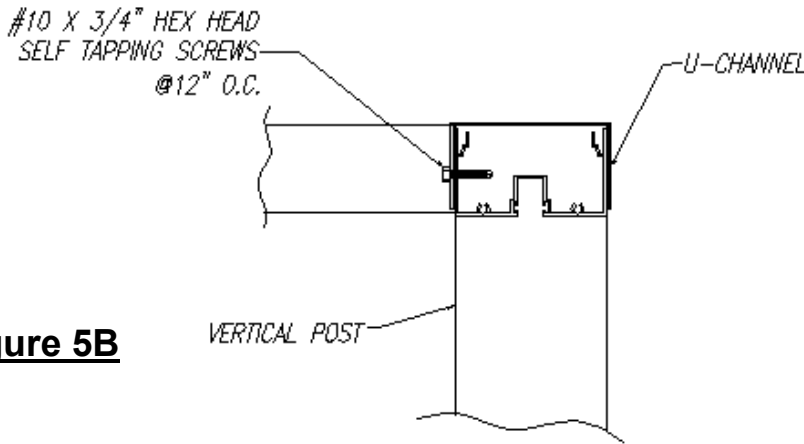


# Installation Instructions

**Figure 5A**



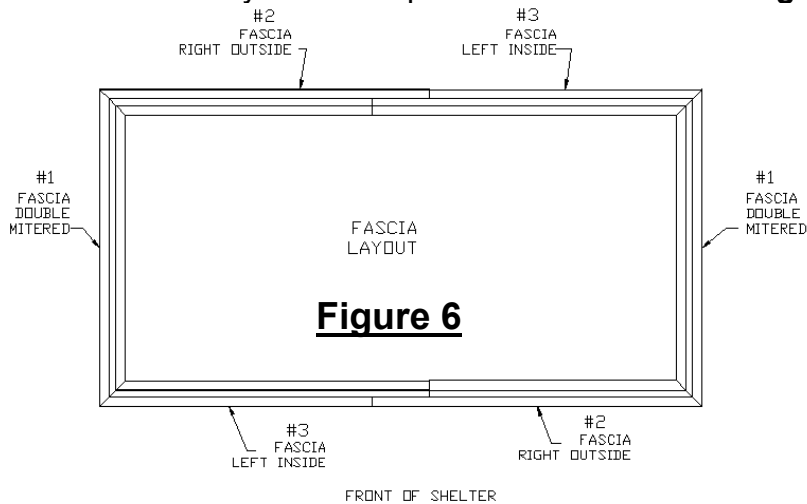
**Figure 5B**



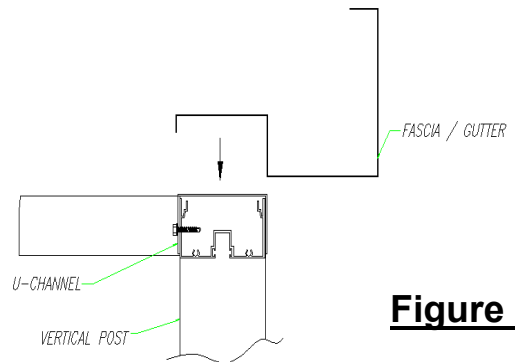
## STEP 7

Install the fascia system. **See Figure 6** for fascia layout. Before beginning the installation of the fascia system, strip off the protective plastic on the finished side of each fascia piece.

Place the fascia system on top of the u-channel. **See Figure 7.**



**Figure 6**



**Figure 7**

---

---

## **Installation Instructions**

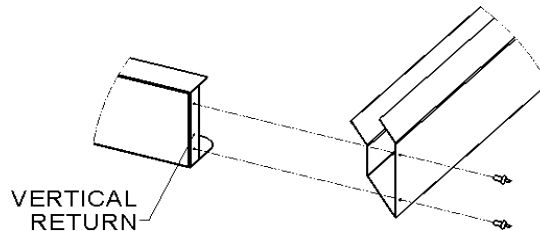
Place a double mitered fascia #1 on a short side of the shelter. The mitered ends of this piece will be visible when looking up at the bottom of the fascia. Repeat process on the other short side of the shelter. **See Figure 7.**

Place a smaller left inside section #3 inside a larger right outside section #2. Telescope these sections out to the mitered ends of #1 fascia. Note: The vertical returns on the fascia ends must be inside the mitered fascia corner. **See Figure 8.** Repeat process for other side.

Connect the double mitered fascia #1 to the larger right outside section #2 by drilling 3/16" diameter holes through the face of the double mitered fascia #1 and the vertical return of the larger right outside section #2, Drill 2 holes per corner. Fasten with 3/16" aluminum pop rivets, 2 per corner. Repeat the process for the other side.

Repeat process above to connect the double mitered fascia #1 to the smaller left inside section #3

**Figure 8**



Connect the 2 pieces of telescoping fascia #2 & #3 by drilling 3/16" diameter holes through the face of the fascia at the joint, 2 per joint. Fasten with 3/16" aluminum pop rivets, 2 per joint.

**CAUTION: DO NOT FASTEN THE FASCIA/GUTTER SYSTEM TO THE SHELTER AT THIS TIME.**

### **STEP 8** (IF ONLY ONE DOME IS PROVIDED SKIP TO STEP 9)

Install the middle dome support. **See Figure 9.**

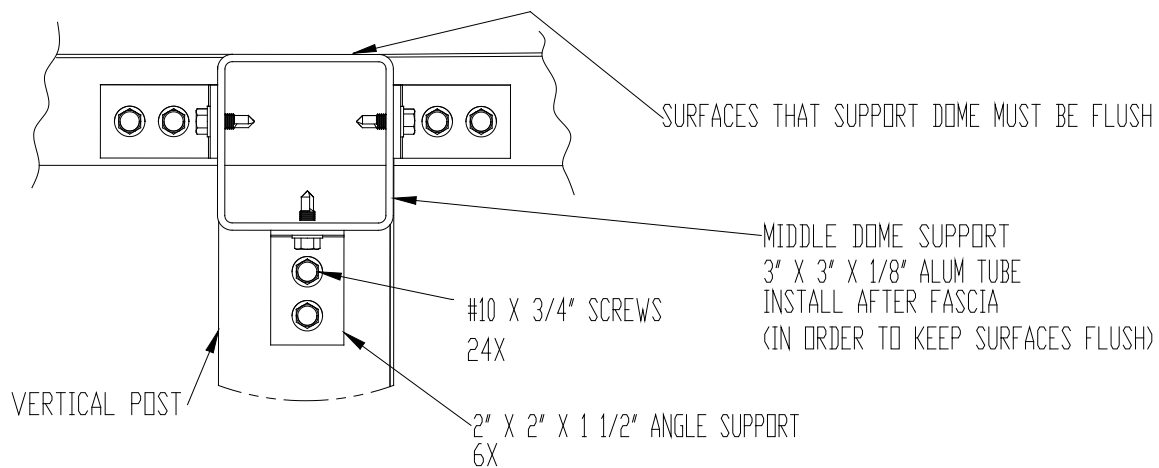
Locate the angle supports flush with the ends of the middle dome support, 3 angles per end. Attach the angle supports to the middle dome support using #10x3/4" self tapping screws, 2 per angle support, to create the middle dome support assembly.

Locate the middle dome support assembly between the center posts of the shelter with the top of the middle dome support assembly flush with the top of the u-channel. **See Figure 9.** Attach to the shelter using #10x3/4" self tapping screws, 2 per angle support.

---

---

## Installation Instructions



**Figure 9**

### **STEP 9**

Install the 2-dome roof(s). **See Figure 10.**

Place the dome roof(s) on top of fascia/gutter leaving a 1" space between the outside perimeter of the dome and the outside perimeter of the shelter. Space between dome(s) should be 1/2".

**See Figure 10 and 12.**

Place 1 layer of glazing tape (2 strips side by side) in the gap between the perimeter of the shelter and the edge of dome. **See Figure 10.**

Install the perimeter dome retainer (1" x 3" x 1/8" alum angle) around the perimeter of the shelter using #12 x 1-1/4" hex head with neoprene washer self tapping screws, 12" on center.

**See Figure 10.**

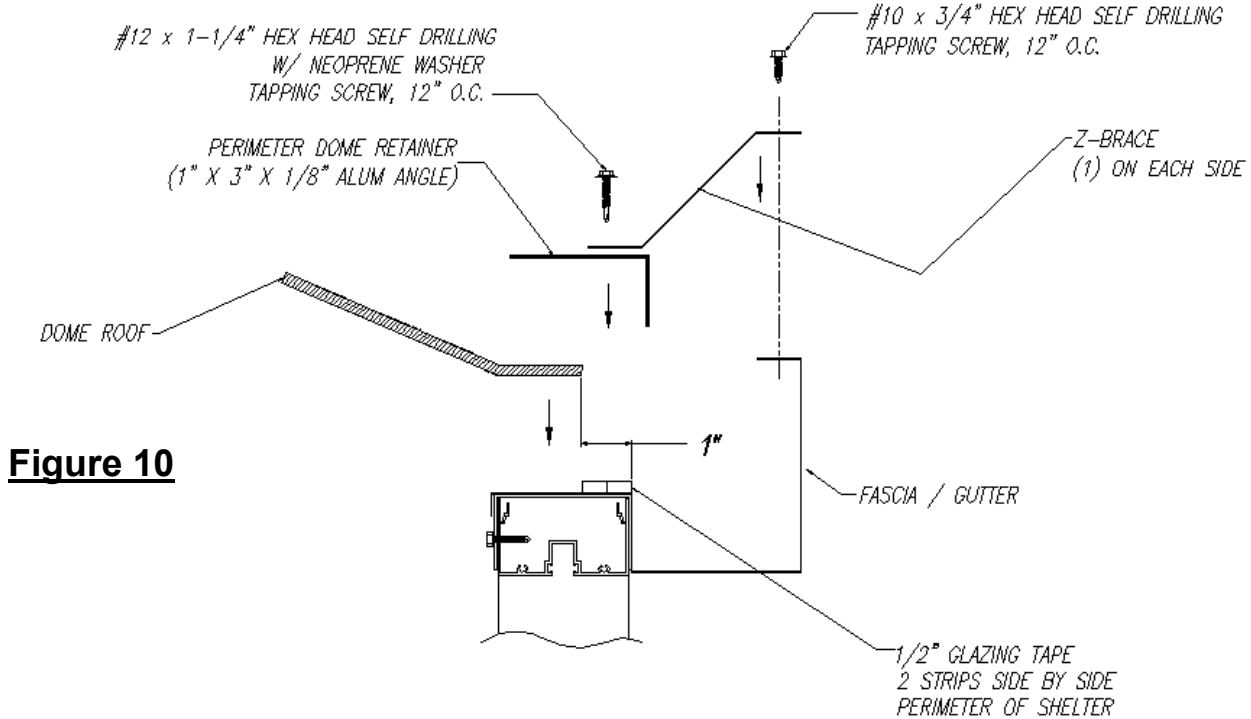
---

---

## **Installation Instructions**

Fasten the (8) Z braces, (1) on each 5' or 6' side and three on each 12' side, spaced equally apart, to the top of the perimeter dome retainer, using (3) #12 x 1-1/4" hex head with neoprene washer self tapping screws. **See Figure 10.**

Fasten the Z braces to the top of fascia/gutter system using (3) #10 x 3/4" hex head self tapping screws. **See Figure 10.**



**Figure 10**

**CAUTION: DO NOT SCREW INTO DOME ROOF**

### **STEP 10**

### **IMPORTANT: TO PREVENT LEAKS**

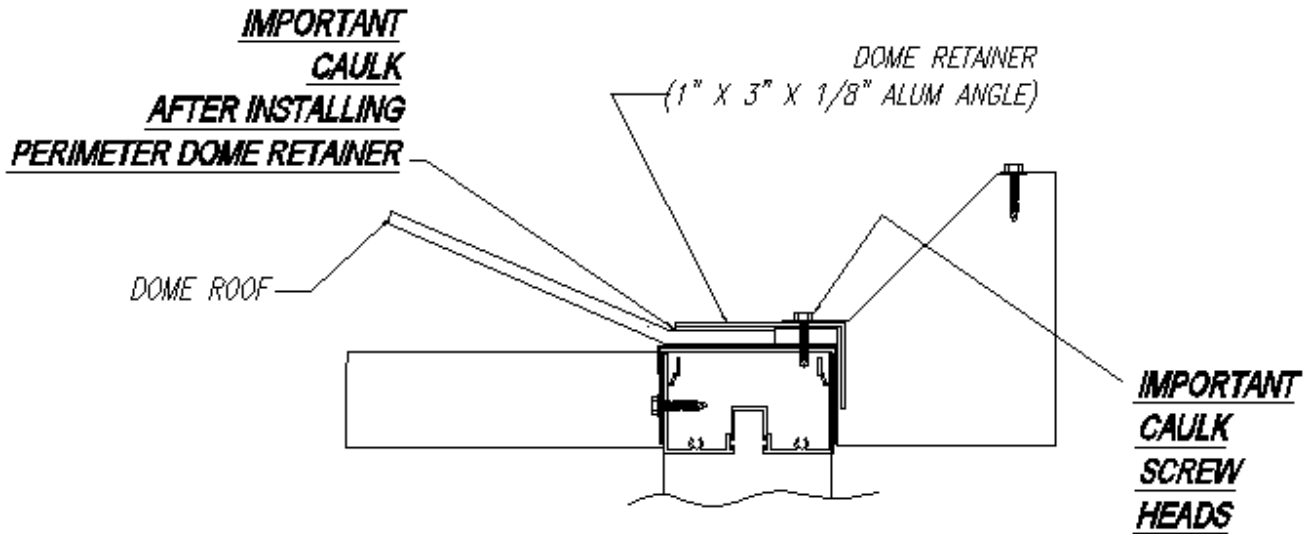
Caulk between aluminum angle and dome roof. **See Figure 11.**

From the inside of the fascia/gutter caulk fascia seams at the corners and the telescoping joints.

---

---

## Installation Instructions



**Figure 11**

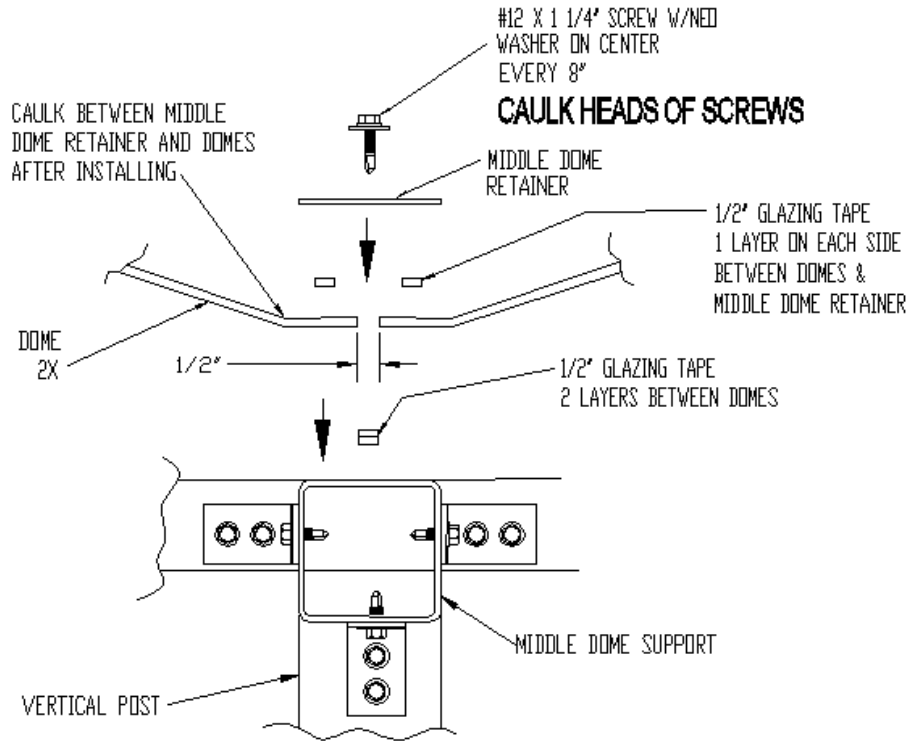
### **STEP 11** (IF ONLY ONE DOME IS PROVIDED SKIP TO STEP 12)

Install the middle dome retainer. **See Figure 12.**

Run 2 layers of glazing tape (1 on top of the other) in the gap between domes. Run 1 layer of glazing tape on the center flange of each dome.

Attach middle dome retainer (3" wide) on top of the dome flanges on the center support using 1 1/4" hex head self tapping screws w/ neoprene washer, 8" on center.

# Installation Instructions



**Figure 12**

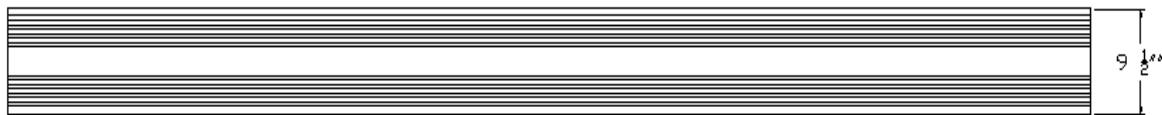
## **STEP 12**

With a 1-1/4" hole saw, drill four total, 1 1/4" diameter weep holes centered in fascia gutter 4" from each corner. For best results drill weep holes away from entranceway(s). Actual location may vary based on site location.

## **BENCH PARTS IDENTIFICATION**



**BACKREST – QTY 1**

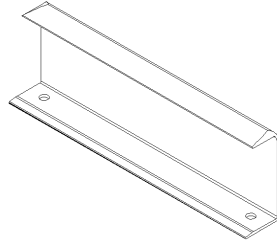


**BENCH – QTY 1**

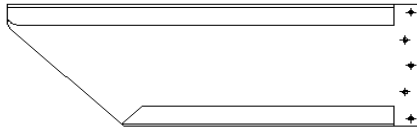
# **Installation Instructions**



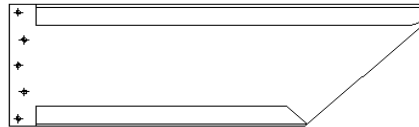
**BACKREST BRACKET – QTY 4**



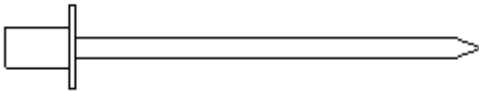
**END CAP – (QTY 2) 6”  
(QTY 2) 9 ½”**



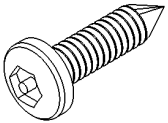
**BENCH SUPPORT – QTY 2 – LEFT HAND**



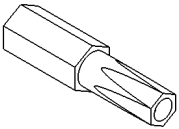
**BENCH SUPPORT – QTY 2 – RIGHT HAND**



**3/16” ALUMINUM POP RIVETS**



**1/4” X 1” STAINLESS STEEL SELF TAPPING SECURITY SCREWS**

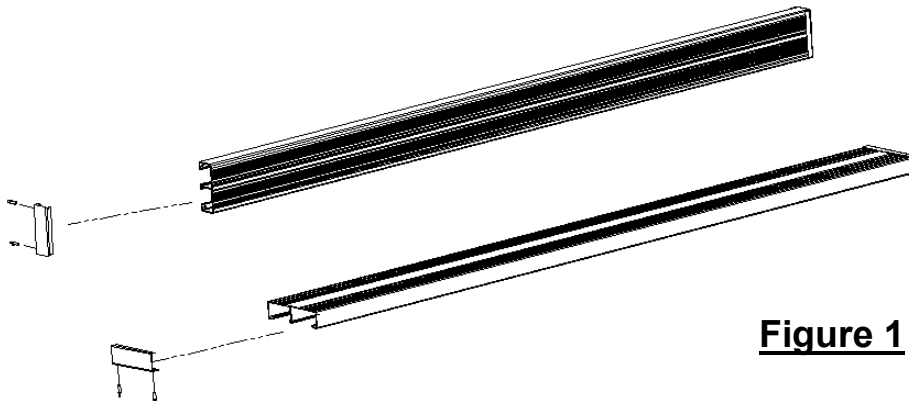


**# T27 6 LOBE SECURITY BIT**

## **STEP A.**

### **Installation of the bench.**

- A. Drill 3/16” diameter holes through 9 ½” bench and 6” backrest using predrilled holes in end cap as guide, 2 per end cap. **See Figure 1**
- B. Secure end caps to bench and back rest with 3/16” pop rivets. (2 per end Cap)



**Figure 1**

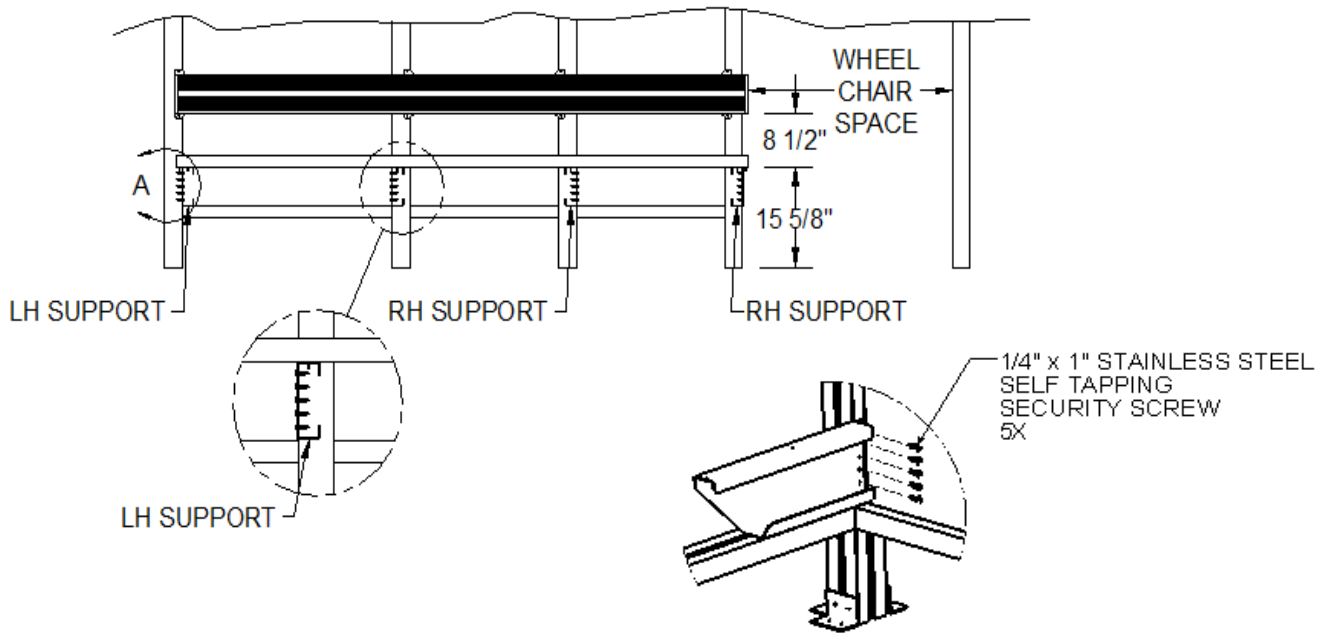
---

---

## **Installation Instructions**

Locate bench supports on posts. **See Figure 2.** Note orientation of support at corner. **See Figure 2, Detail A.** Supports must be level, one to another. Using # T27 6 lobe security driver bit provided, secure bench supports to posts with  $\frac{1}{4}$ " stainless steel self tapping security screws, 5 per bench support.

**Figure 2**



**Figure 2 – Detail A**

### **Installation of the bench (cont.)**

#### **STEP B.**

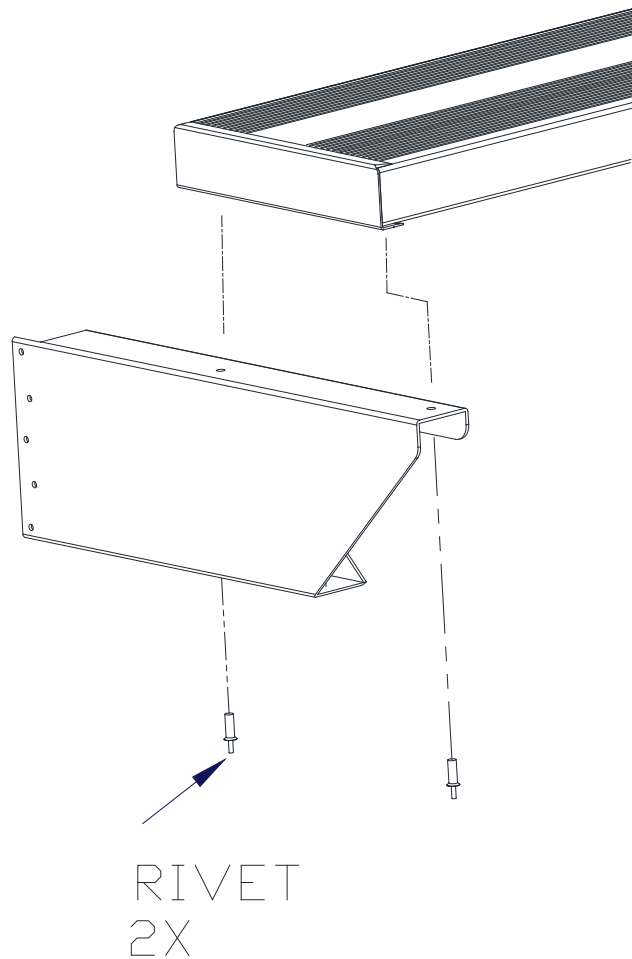
Place the  $9 \frac{1}{2}$ " bench plank on top of the supports. Clamp in place. **See Figure 3.** Drill  $\frac{3}{16}$ " diameter holes through the bench using the predrilled holes in the bench support as a guide, 2 per bench support. **Caution: drill holes through underside flange only.** Secure the bench to the supports with  $\frac{3}{16}$ " diameter pop rivets, 2 per bench support. Remove clamps.



---

---

## Installation Instructions



### Installation of the bench (cont.)

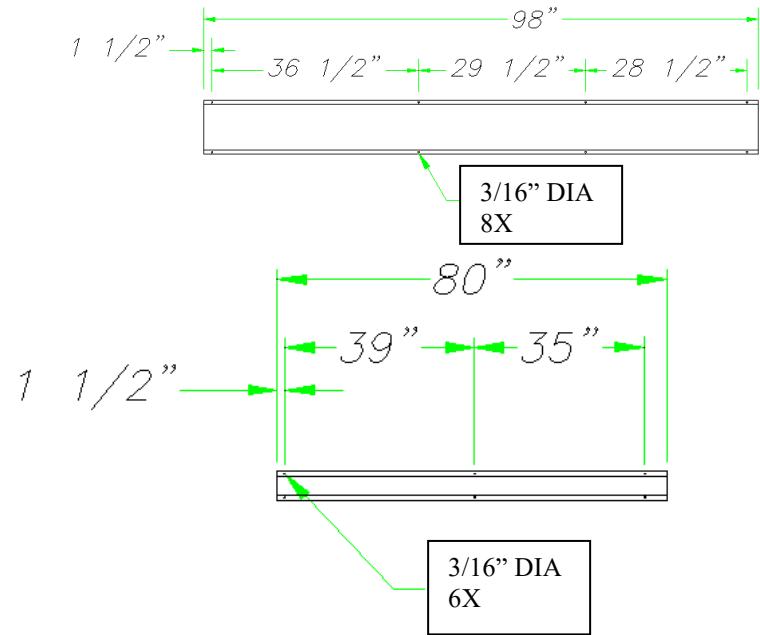
#### STEP C.

**Figure 3**

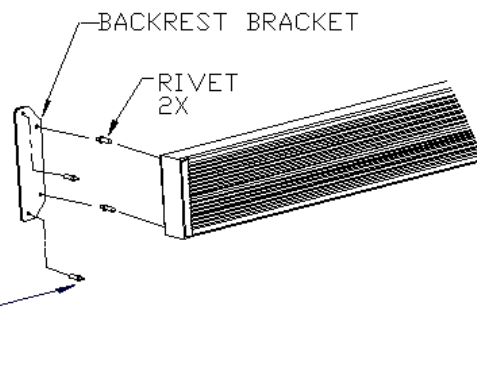
Lay backrest on its face and layout backrest bracket locations on backrest spaced as shown below to allow attachment to posts. **See Figure 4A and 4B.** Clamp in place. Drill 3/16" diameter holes through backrest using predrilled holes in backrest bracket as guide, 2 per backrest bracket. **Caution: drill holes through the rear flange of backrest only.**

**See Figure 4B.** Secure backrest bracket to backrest with 3/16" pop rivets, 2 per backrest bracket. Remove clamps.

# Installation Instructions



**Figure 4A**  
For 12 foot long MODELS  
BACKSIDE OF  
BACKREST



**Figure 4b**  
For 10 foot long MODELS  
BACKSIDE OF  
BACKREST

## Installation of the bench (cont.)

### STEP D.

Locate backrest on posts. Backrest must be level. **See Figure 5.** Drill 3/16" diameter holes through posts using predrilled holes in backrest bracket as a guide, 2 per post. Secure backrest brackets to posts with 3/16" pop rivets, 2 per post.

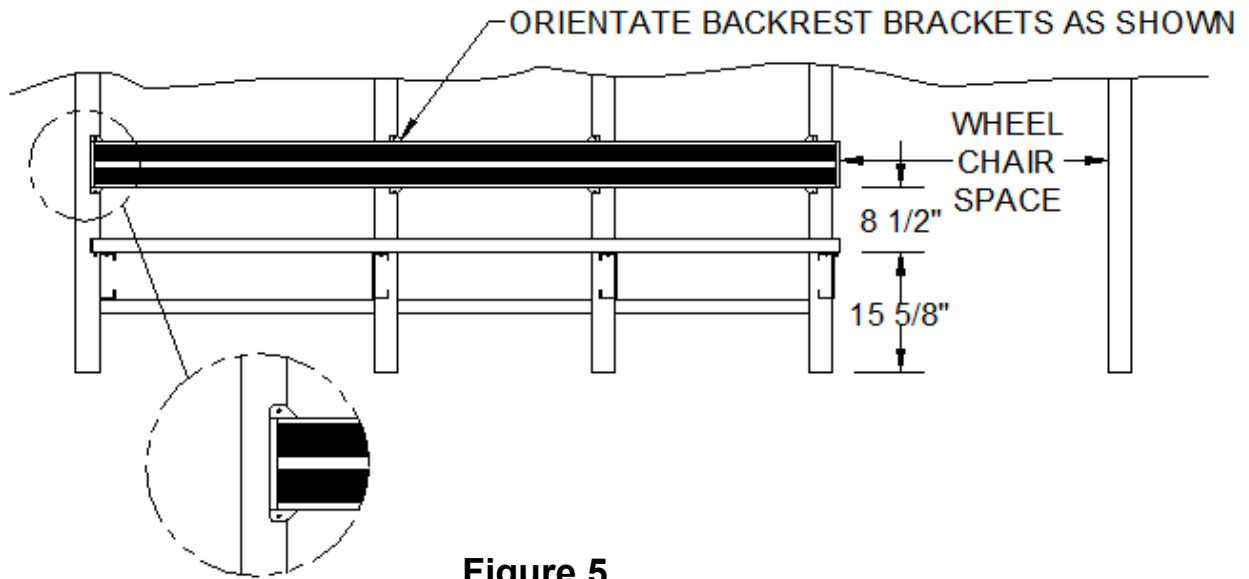
### Figure 4B

**See orientation of  
brackets - Figure 5**

---

---

## ***Installation Instructions***



Call our Customer Service  
if you need clarification of these assembly instructions.