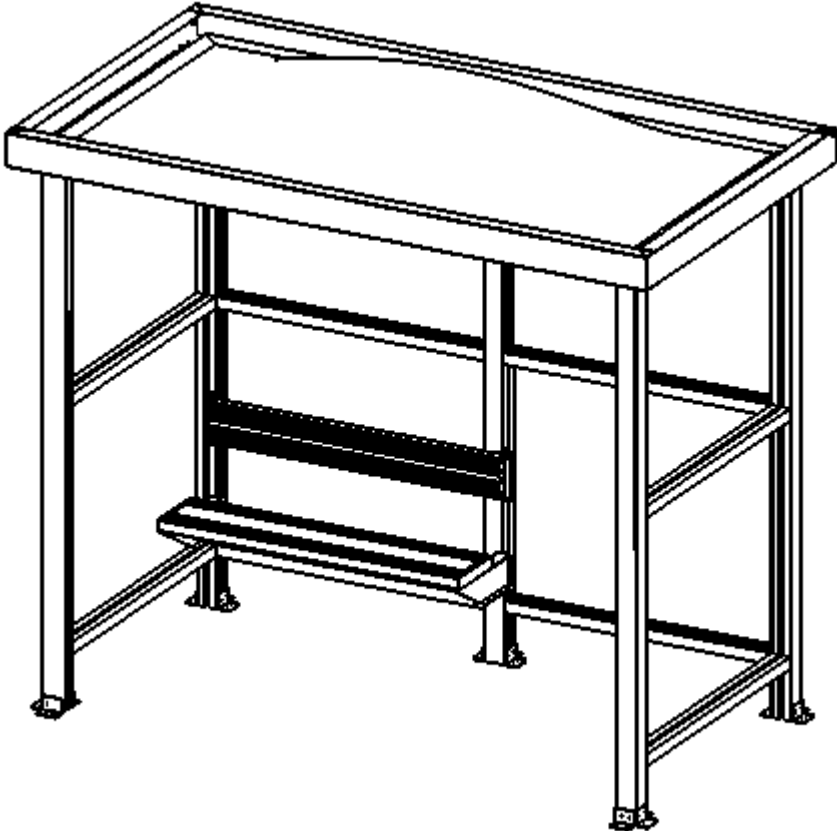
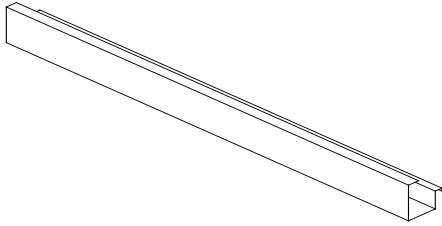

Installation Instructions
Prefabricated Shelter
For Model Number
(BENCH OPTIONAL)

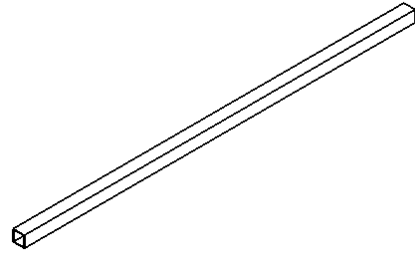


The Company tries to insure that the shelter arrives to your location in excellent condition. If the product arrives damaged or parts are missing (or you need some installation assistance), please call Customer Service.

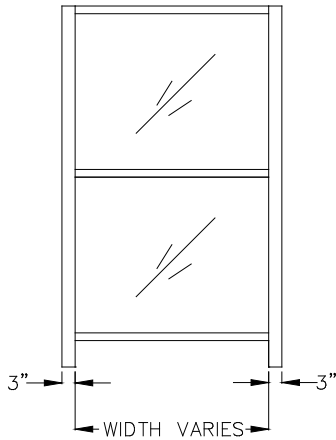
PARTS IDENTIFICATION



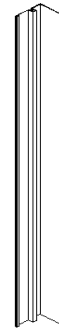
FASCIA/GUTTER SYSTEM



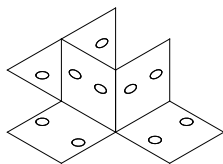
HEADER



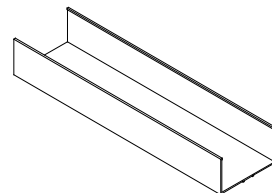
TYPICAL SHELTER VENTED WALL SECTION



HALF POST



ANCHORING SHOE

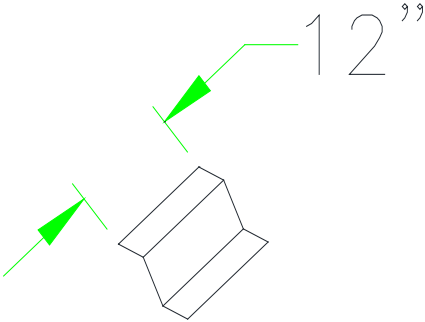


U - CHANNEL

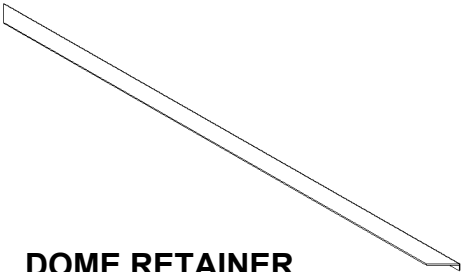
PARTS IDENTIFICATION (cont.)



WEATHER TAPE



Z-BRACE

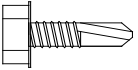


DOME RETAINER
DOUBLE MITER



ROOF DOME

FASTENER IDENTIFICATION



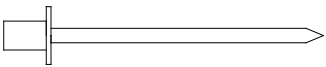
#10 x 3/4" HEX HEAD SELF DRILLING / TAPPING SCREW (COLOR OF SHELTER)



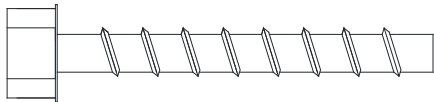
**#12 x 1-1/4" HEX HEAD SELF DRILLING / TAPPING SCREW (GALVANIZED)
WITH NEOPRENE WASHER**



**#12 x 1-1/4" HEX HEAD SELF DRILLING / TAPPING SCREW (GALVANIZED)
WITH NO WASHER**



3/16" ALUMINUM POP RIVET



1/4" x 1 7/8" SCREW ANCHOR

Tools Required for Assembly

- 1.) Rubber mallet
- 2.) Power screw gun with 5/16" & 1/4" & 7/16" nut driver bits.
- 3.) Pop rivet gun
- 4.) Power drill with a 3/16" drill bit
- 5.) 25' tape measure
- 6.) Steel claw hammer
- 7.) Caulk gun (10.3 oz. tube size)
- 8.) Chalk line
- 9.) Rotary hammer / masonry power drill with 1/4" masonry drill bit.
- 10.) Vise grips - C style with wide grip opening and end pads (clamps)
- 11.) 1-1/4" Hole saw

STEP 1

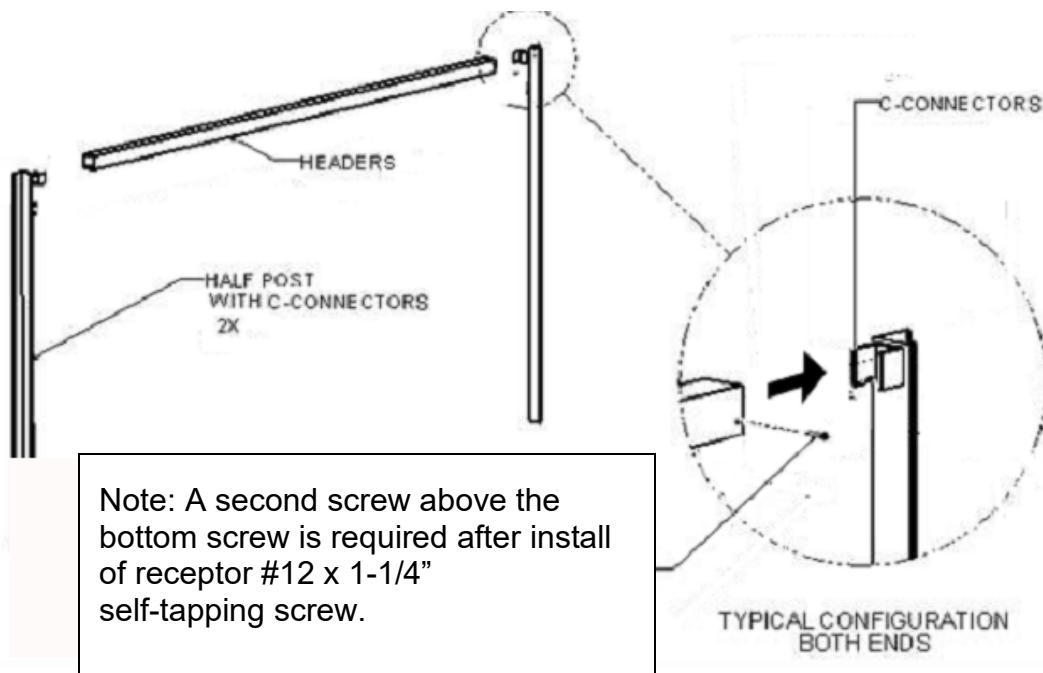
The shelter should be installed in the center of the existing concrete pad (unless otherwise specified). To achieve this, take the outside measurements of the concrete pad and compare them to the outside dimensions of the shelter as provided on plan view of submittal drawings.

After determining the placement of the shelter, snap a chalk line to mark the perimeter of the shelter. Check the chalk lines for square by measuring from corner to corner and adjust layout until measurements are equal.

STEP 2

Unpack the wall sections from the crate.

See Figure 1 for open front assembly. Attach header (with pre-drilled holes toward inside of shelter) to c-connector that is pre-attached to half post with (2) #12 x 1-1/4" self-tapping screw thru pre-drilled hole of header (both ends). Both screws tighten thru C-connector inside of header. Attach header to half post and then snap the post to wall section #1 and # in same manner as in step 3 below.



CAUTION: AS YOU ASSEMBLE THE SEQUENTIALLY NUMBERED PANELS, BE SURE THE PANELS CREATE THE SHELTER ASSEMBLY PATTERN IN FIGURE 3.

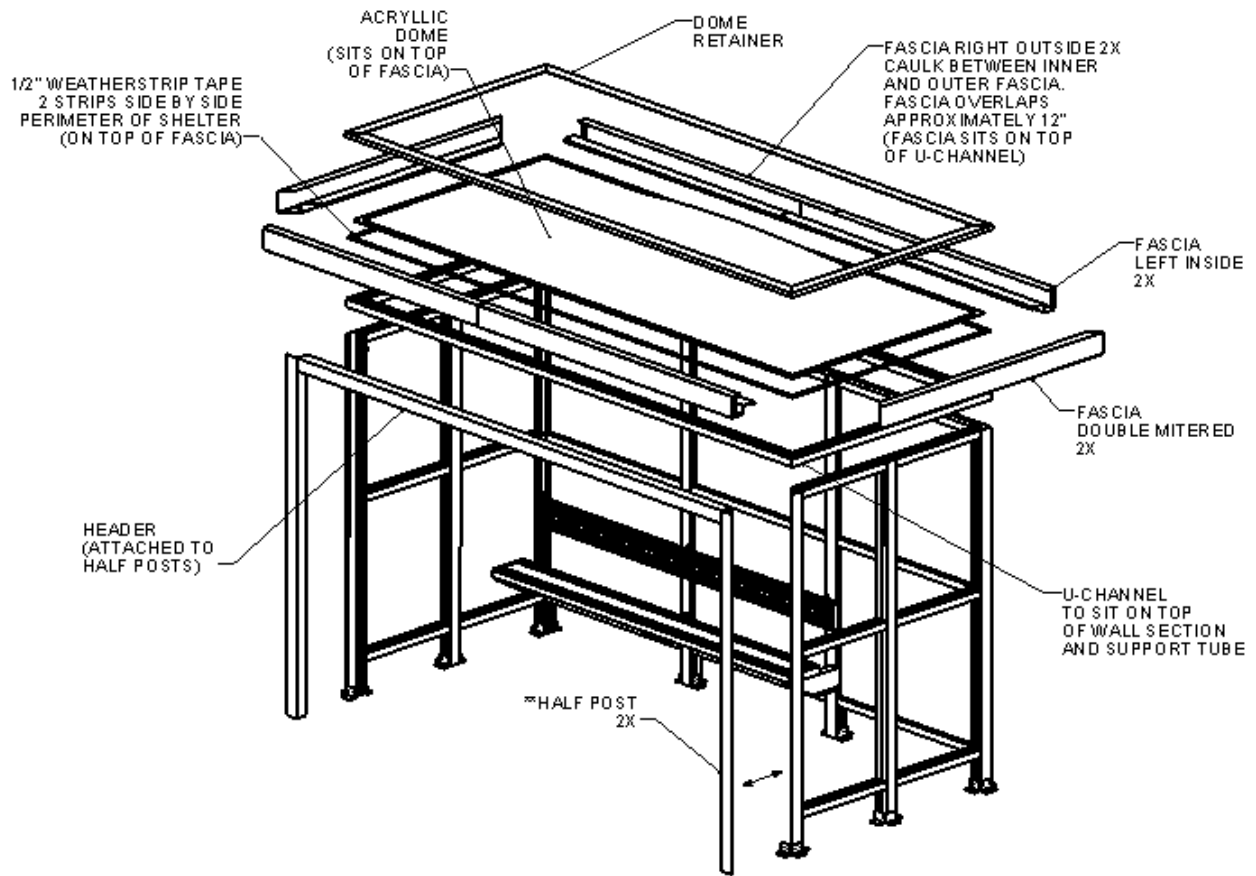


Figure 2

STEP 3

Note that the wall sections are numbered, in sequence, starting at #1 and start in a corner. See Figure 3.

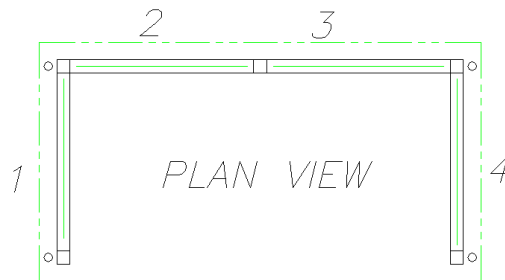


Figure 3

Start with the #1 & #2 wall sections (they should make a corner connection). Stand up the wall sections #1 & #2 placing the corner posts male to female connections next to each other. Snap the two wall sections together by lightly hitting the sections at the connection point with a rubber mallet and continuing from the top to the bottom of the post. Proceed with the remaining wall sections in the same manner, continuing with the next appropriate number until all panels and entrance/exit assembly is complete.

Caution: Be certain wall sections are secured from falling over until shelter is fully anchored to concrete pad

STEP 4

After all the walls of the shelter are assembled, measure from corner to corner again to ensure the shelter is square. Adjust layout if necessary.

STEP 5

Anchor the shelter to the concrete pad. **See Figure 4.**

Fit the anchoring shoes around the exterior of each of the posts. Although six holes are provided in anchor shoe, only 4 anchors per shoe are required. Mark the holes to be drilled in concrete pad using the anchor shoe as a template. Remove the anchor shoe and drill into the concrete pad. Be sure the holes are deep enough for the Screw Anchors to anchor shelter properly. See Hilti screw anchor install attached.

Fit the anchoring shoes around the exterior of each of the posts and attach the shoes to the posts with the #10 x 3/4" hex head self tapping screws in the holes provided. Screw 1/4" x 1 7/8" Screw anchors provided.

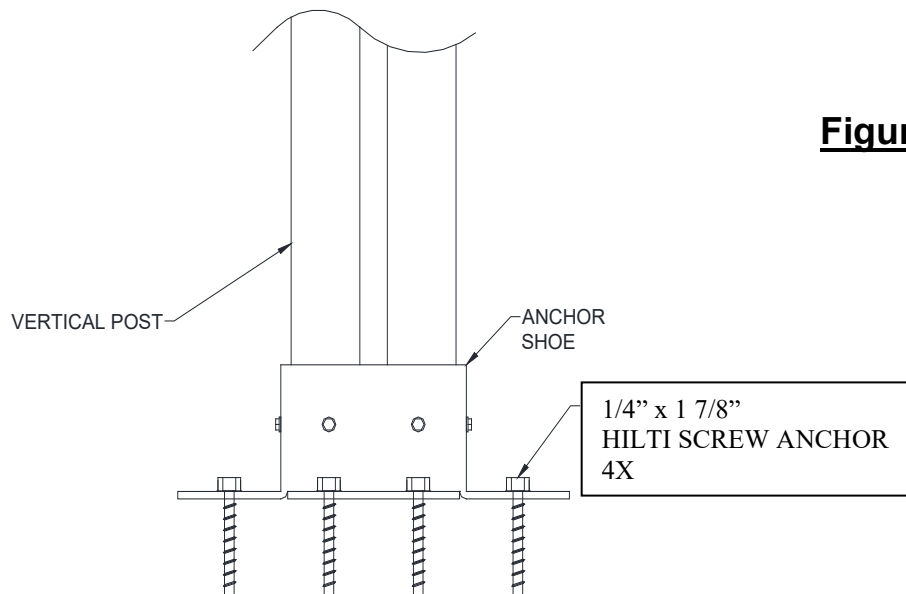


Figure 4

STEP 6

Place the front u-channel on top of the header. See **Figure 5A** below.

Finish securing header to posts. See **Figure 5A**. Secure header with (1) #12 x 1-1/4" self-tapping screw from inside only, 1 1/4" above screw installed in step 2, at each end of header. Both screws tighten thru c-connector inside of header.

Place remaining u-channels on top of wall sections. See **Figure 5B** for layout.

Secure all u-channels to top of wall and front header (on the inside only) with #10x3/4" self-tapping screws, 12" on center. See **Figure 5c**.

Figure 5A

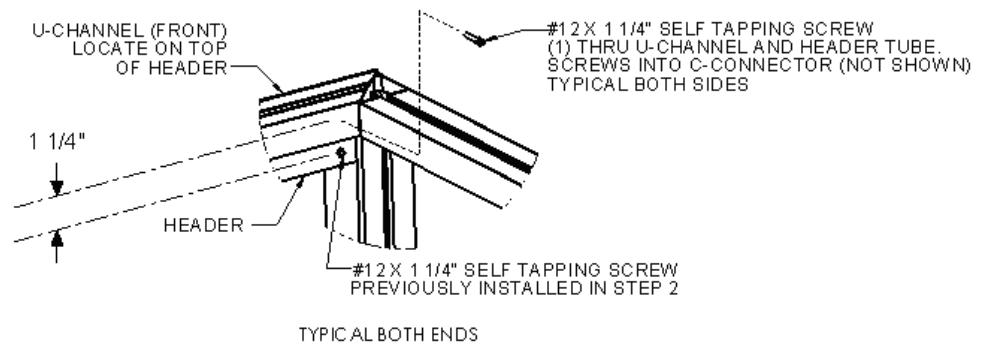


Figure 5B

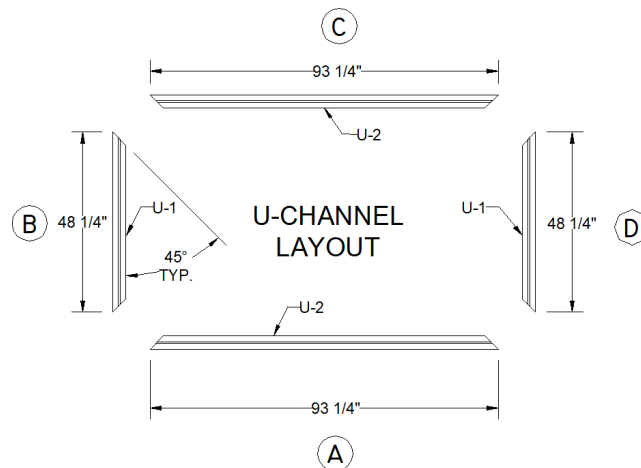
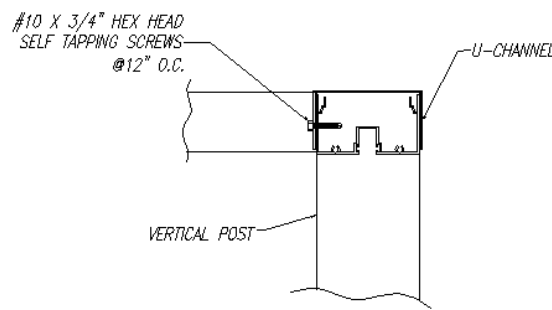


Figure 5C



STEP 7

Install the fascia system. **See Figure 6** for fascia layout. Before beginning the installation of the fascia system, strip off the protective plastic on the finished side of each fascia piece. Place the fascia system on top of the u-channel. **See Figure 7.**

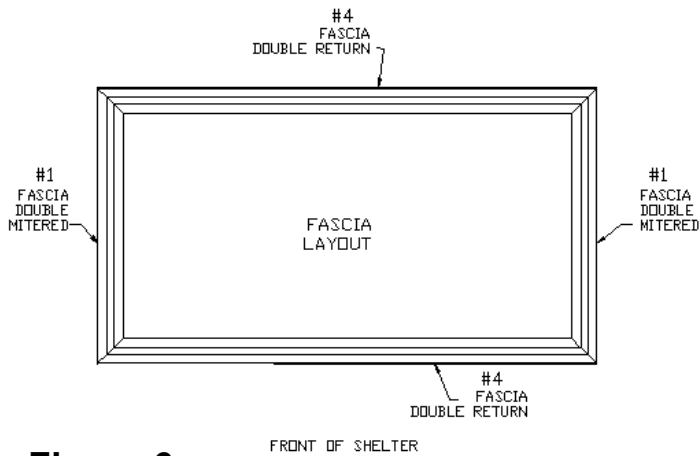


Figure 6

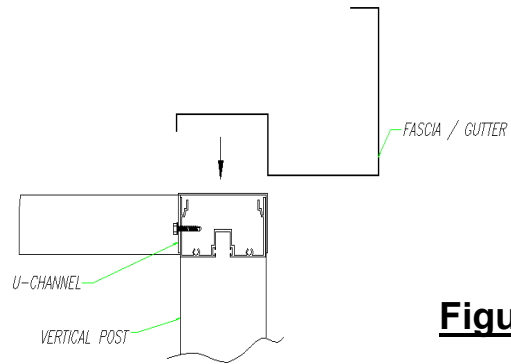


Figure 7

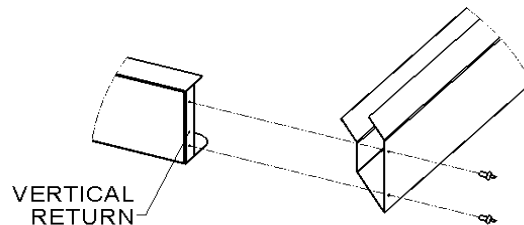
Place a double mitered fascia #1 on a short side of the shelter. The mitered ends of this piece will be visible when looking up at the bottom of the fascia. Repeat process on the other short side of the shelter. **See Figure 8.**

Place a smaller left inside section #3 inside a larger right outside section #2. Telescope these sections out to the mitered ends of #1 fascia. Note: The vertical returns on the fascia ends must be inside the mitered fascia corner. **See Figure 8.** Repeat process for other side.

Connect the double mitered fascia #1 to the larger right outside section #2 by drilling 3/16" diameter holes through the face of the double mitered fascia #1 and the vertical return of the larger right outside section #2, Drill 2 holes per corner. Fasten with 3/16" aluminum pop rivets, 2 per corner. Repeat the process for the other side.

Repeat process above to connect the double mitered fascia #1 to the smaller left inside section #3.

Figure 8



Connect the 2 pieces of telescoping fascia #2 & #3 by drilling 3/16" diameter holes through the face of the fascia at the joint, 2 per joint. Fasten with 3/16" aluminum pop rivets, 2 per joint.

CAUTION: DO NOT FASTEN THE FASCIA/GUTTER SYSTEM TO THE SHELTER AT THIS TIME.

STEP 8

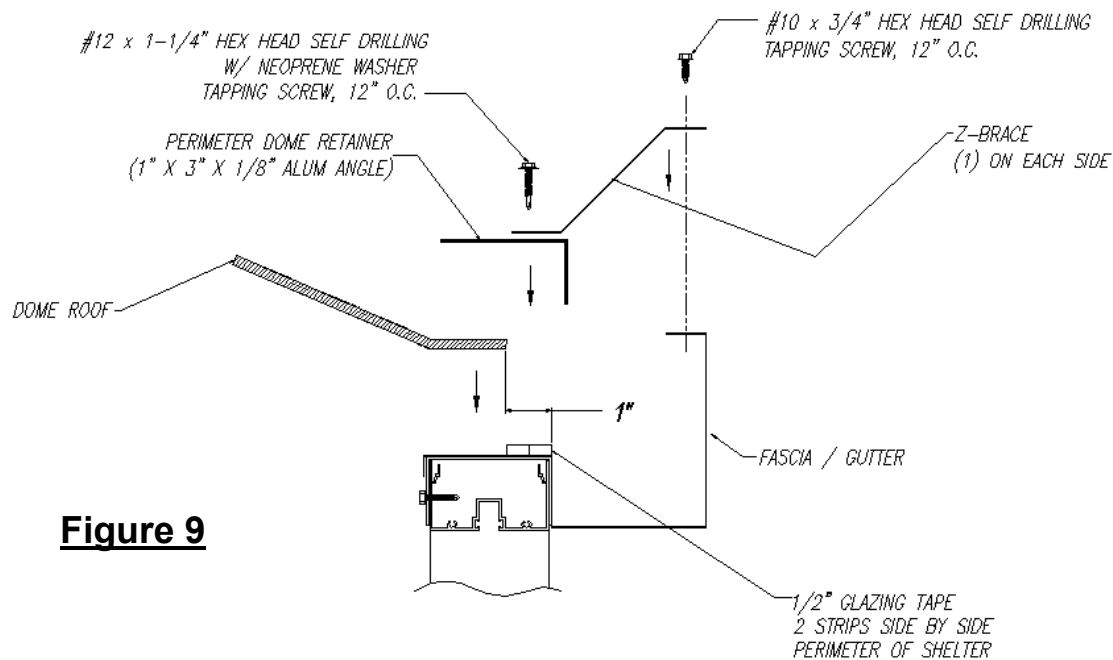
Place the dome roof on top of fascia/gutter leaving a 1" space between the outside perimeter of the dome and the outside perimeter of the shelter. **See Figure 9.**

Place 1 layer of glazing tape, (2 strips side by side) in the gap between the perimeter of the shelter and the edge of dome.

Install the perimeter dome retainer (1" x 3" x 1/8" alum angle) around the perimeter of the shelter using #12 x 1-1/4" hex head with neoprene washer self tapping screws, 12" on center.

Fasten the (6) Z braces, (1) on each 4' side and two on each 7'-9" side, spaced equally apart, to the top of the perimeter dome retainer, using (2) #12 x 1-1/4" hex head with neoprene washer self- tapping screws.

Fasten the Z braces to the top of fascia/gutter system using (2) #10 x 3/4" hex head self- tapping screws



CAUTION: DO NOT SCREW INTO DOME ROOF
IMPORTANT: TO PREVENT LEAKS

STEP 9

Caulk between aluminum angle and dome roof. **See Figure 10.**

From the inside of the fascia/gutter caulk fascia seams at the corners and the telescoping joints.

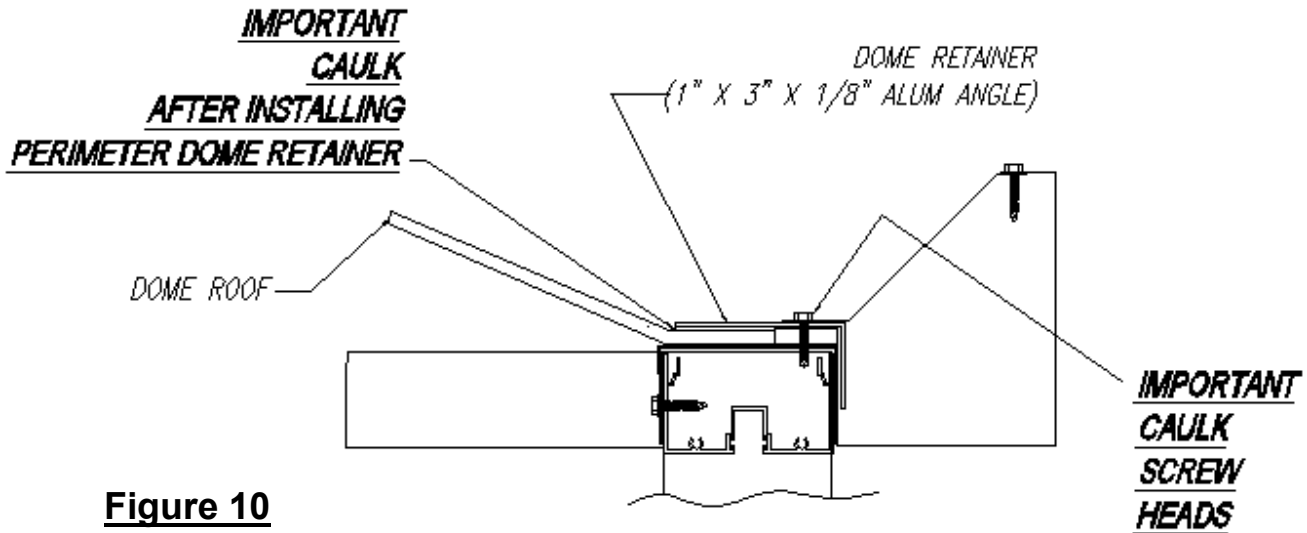


Figure 10

STEP 10

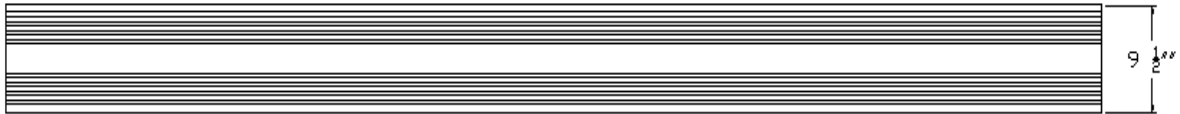
With a 1-1/4" hole saw, drill four total, 1 1/4" diameter weep holes centered in fascia gutter 4" from each corner. For best results drill weep holes away from entranceway(s). Actual location may vary based on site location.

Call our Customer Service
if you need clarification of these assembly instructions.

BENCH PARTS IDENTIFICATION



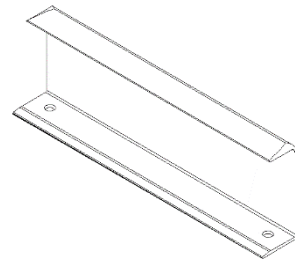
BACKREST – QTY: (SEE SHIP LIST)



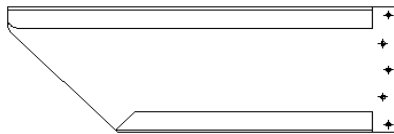
BENCH – QTY: (SEE SHIP LIST)



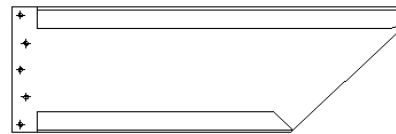
BACKREST BRACKET – QTY: (2)



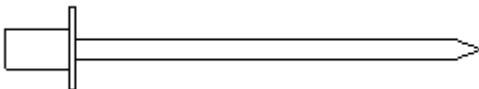
END CAP – QTY: (4)



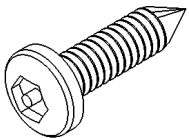
BENCH SUPPORT LH – QTY: (1)



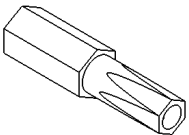
BENCH SUPPORT RH – QTY: (1)



3/16" ALUMINUM POP RIVETS



1/4" X 1" STAINLESS STEEL SELF TAPPING SECURITY SCREWS



#T27 6 LOBE SECURITY BIT

STEP A.

Installation of the bench.

- A. Drill 3/16" diameter holes through 9 1/2" bench and 6" backrest using predrilled holes in end cap as guide, 2 per end cap. **See Figure 1**
- B. Secure end caps to bench and back rest with 3/16" pop rivets. (2 per end Cap)

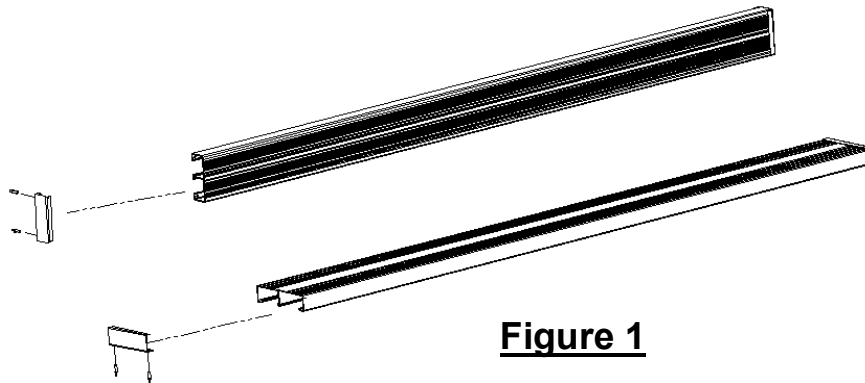


Figure 1

Locate bench supports on posts. **See Figure 2.** Note orientation of support at corner. **See Figure 2, Detail A.** Supports must be level, one to another. Using #T27 6 lobe security driver bit provided, secure bench supports to posts with 1/4" stainless steel self-tapping security screws, 5 per bench support.

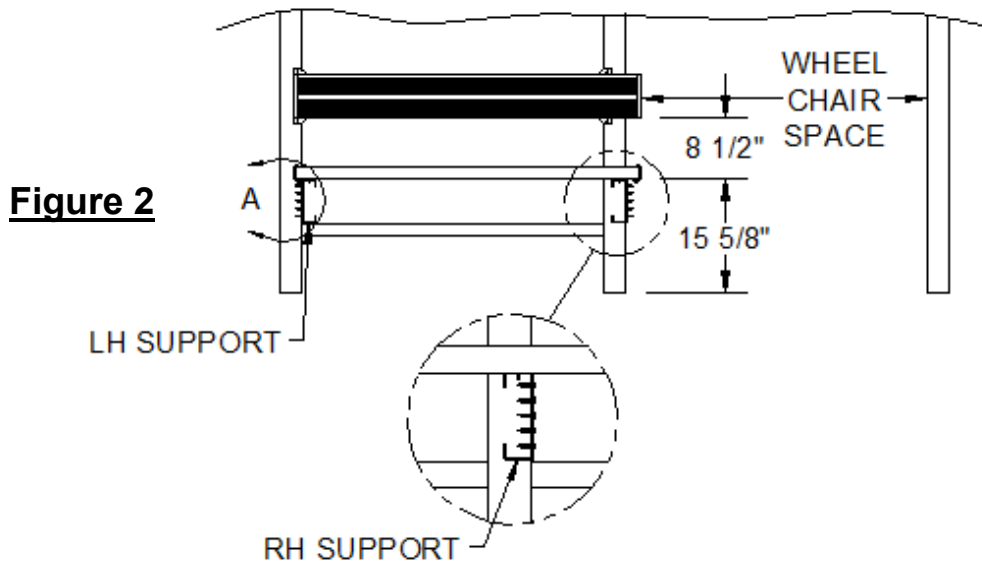
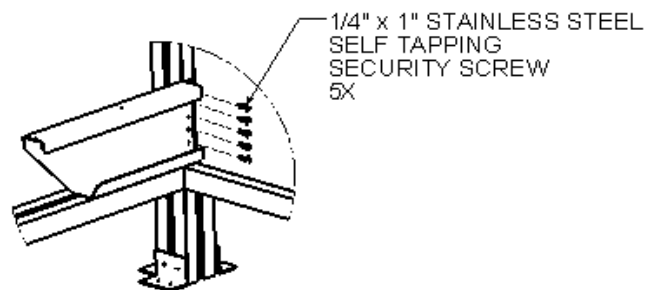


Figure 2

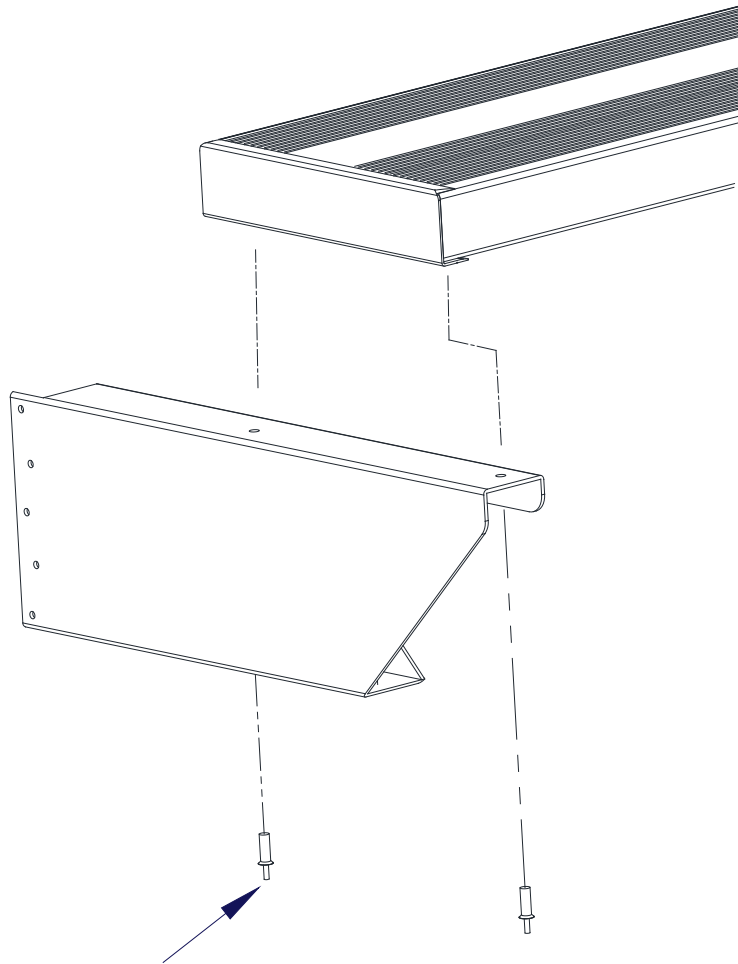
Figure 2 – Detail A



Installation of the bench (cont.)

STEP B.

Place the 9 ½” bench planks on top of the supports. Clamp in place. **See Figure 3.** Drill 3/16” diameter holes through the benches using the predrilled holes in the bench support as a guide, 2 per bench support. **Caution: drill holes through underside flange only.** Secure the benches to the supports with 3/16” diameter pop rivets, 2 per bench support. Remove clamps.



RIVET
2X

Figure 3

Installation of the bench (cont.)

STEP C.

Lay backrest on its face and layout backrest bracket locations on backrest spaced as shown below to allow attachment to posts. Clamp in place. Drill 3/16" diameter holes through backrest using predrilled holes in backrest bracket as guide, 2 per backrest bracket. **Caution: drill holes through the rear flange of backrest only.**

See Figure 4. Secure backrest bracket to backrest with 3/16" pop rivets, 2 per backrest bracket. Remove clamps.

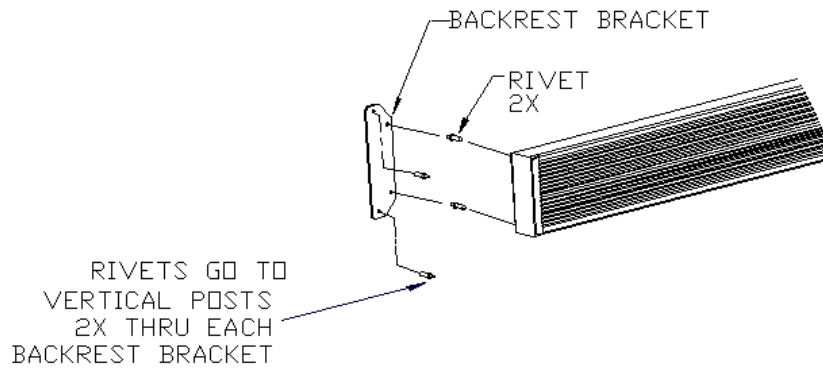


Figure 4

STEP D.

Locate backrest on posts. Backrest must be level. **See Figure 5.** Drill 3/16" diameter holes through posts using predrilled holes in backrest bracket as a guide, 2 per post. Secure backrest brackets to posts with 3/16" pop rivets, 2 per post.

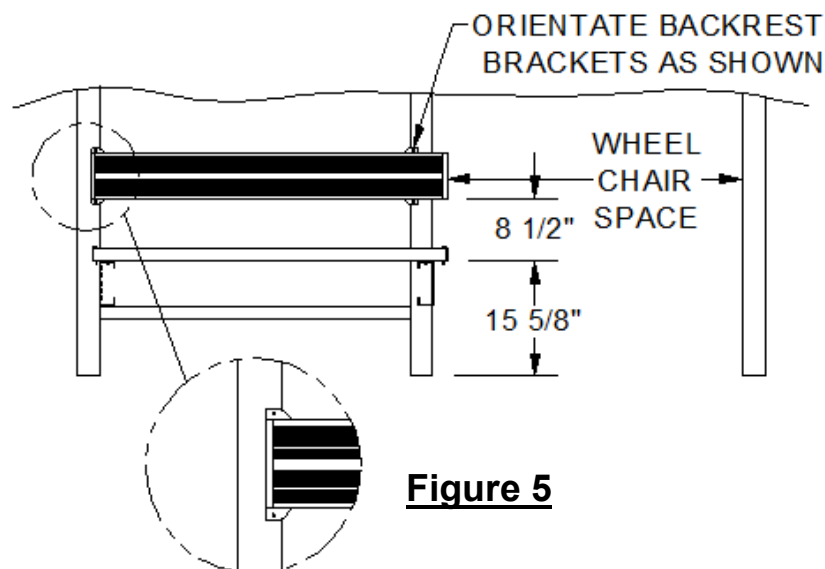


Figure 5

Call our Customer Service
if you need clarification of these assembly instructions.