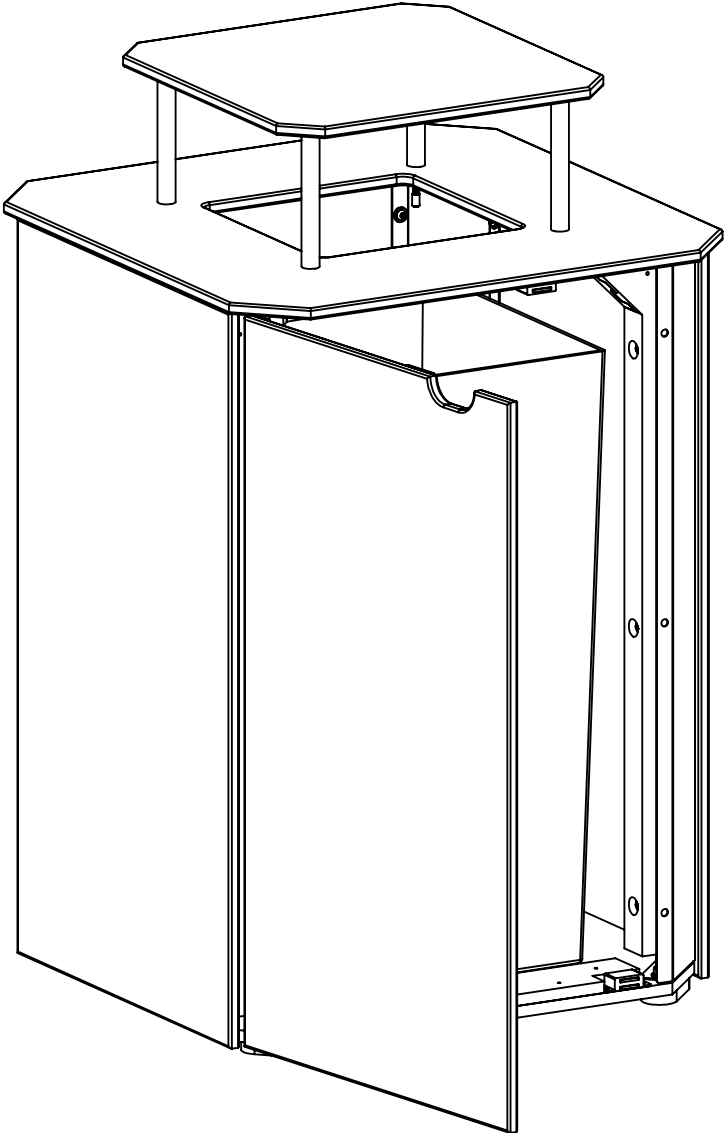


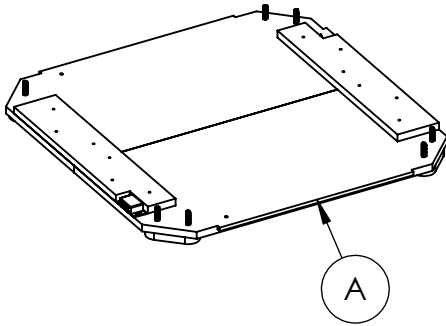
PINNACLE SINGLE RECEPTACLE ASSEMBLY INSTRUCTIONS

REV. 1
2/20/23

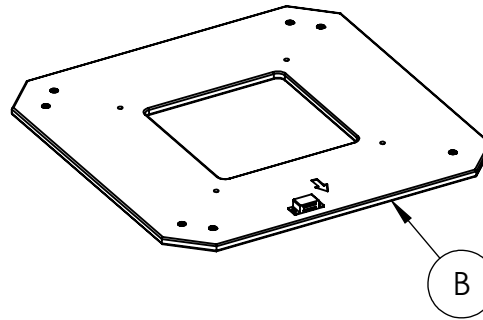


PINNACLE SINGLE RECEPTACLE ASSEMBLY INSTRUCTIONS

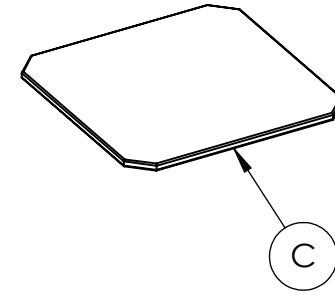
P/N ATR-A0039
QTY. 1



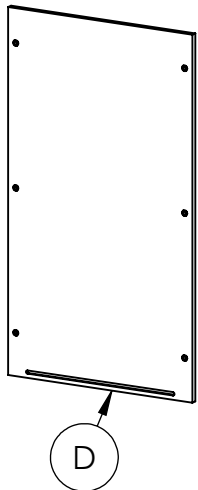
P/N ATR-A0056
QTY. 1



P/N ATR-A0045
QTY. 1

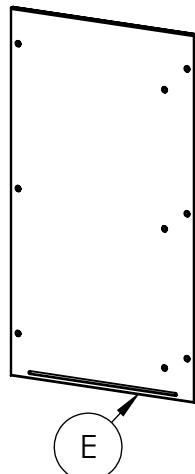


P/N ATR-A0041
QTY. 1



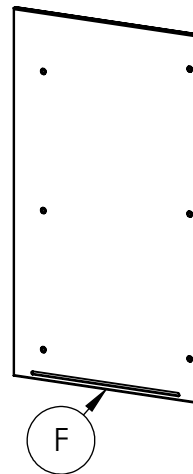
BACK PANEL
(HOLES ARE
CLOSE TO SIDE
EDGES)

P/N ATR-A0042
QTY. 1



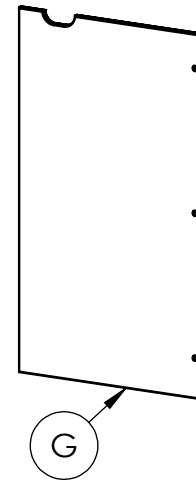
RIGHT PANEL
(9 HOLES TOTAL)

P/N ATR-A0043
QTY. 1

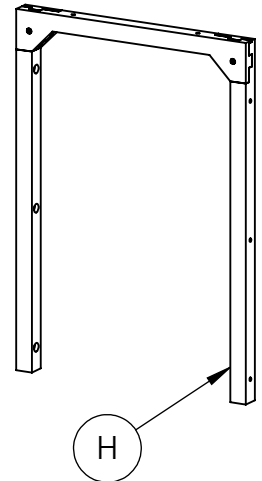


LEFT PANEL
(3 LEFT HOLES
FARTHER IN
FROM SIDE)

P/N ATR-A0044
QTY. 1



P/N ATR-A0047
QTY. 1

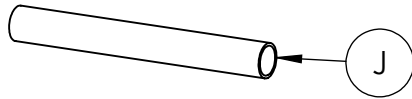


**COMPONENTS
REQUIRED FOR
ASSEMBLY**

1/13

PINNACLE SINGLE RECEPTACLE ASSEMBLY INSTRUCTIONS

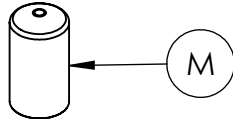
P/N ATR-P0335
QTY. 4



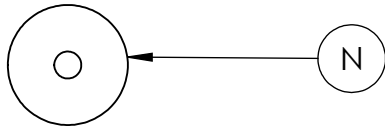
P/N WUSS025WAS188
QTY. 44



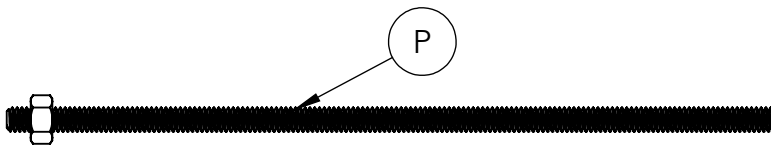
P/N 9753K12_ROUND_CAP
QTY. 2



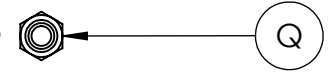
P/N 90313A108
QTY. 1



P/N ATR-A0046
QTY. 4



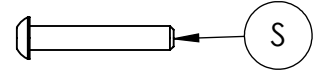
P/N NNYL025CNUT188
QTY. 11



P/N 92949A537
QTY. 26



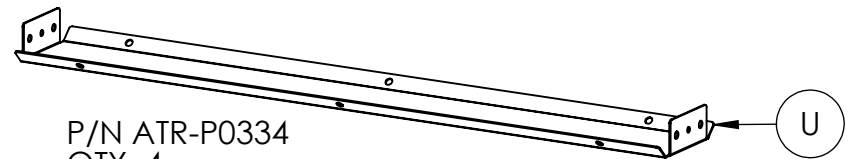
P/N SCBH025C150188
QTY. 6



P/N SMPT010C125A188
QTY. 2



P/N ATR-P0334
QTY. 4



P/N 93310A537
QTY. 1



THE LOCKING SCREW IS THE ONLY BLACK ONE, AND HAS A NYLON PATCH EMBEDDED INTO THE THREADS.

REQUIRED TOOLS (NOT INCLUDED)

- 1 - 7/16" SOCKET
- 1 - SCREW GUN
- 1 - RUBBER MALLET
- 1 - #2 SQUARE DRIVE BIT
- 1 - 6MM ALLEN WRENCH

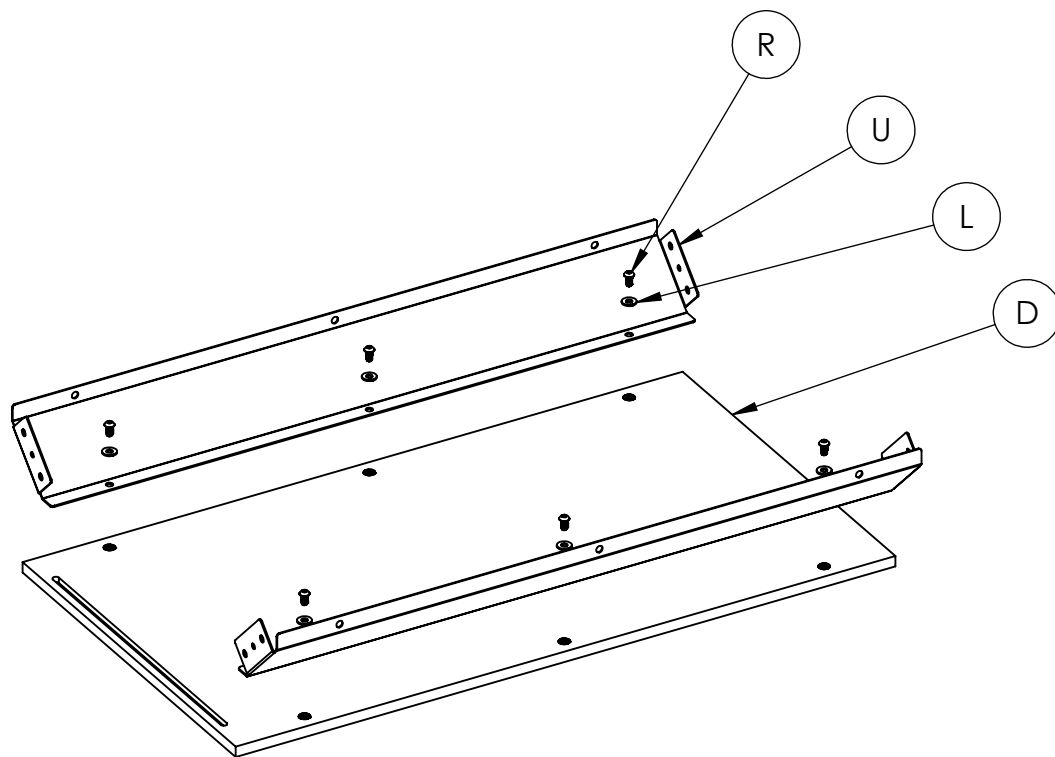
**HARDWARE &
TOOLS REQUIRED
FOR ASSEMBLY**

2/13

PINNACLE SINGLE RECEPTACLE ASSEMBLY INSTRUCTIONS

STEP 1

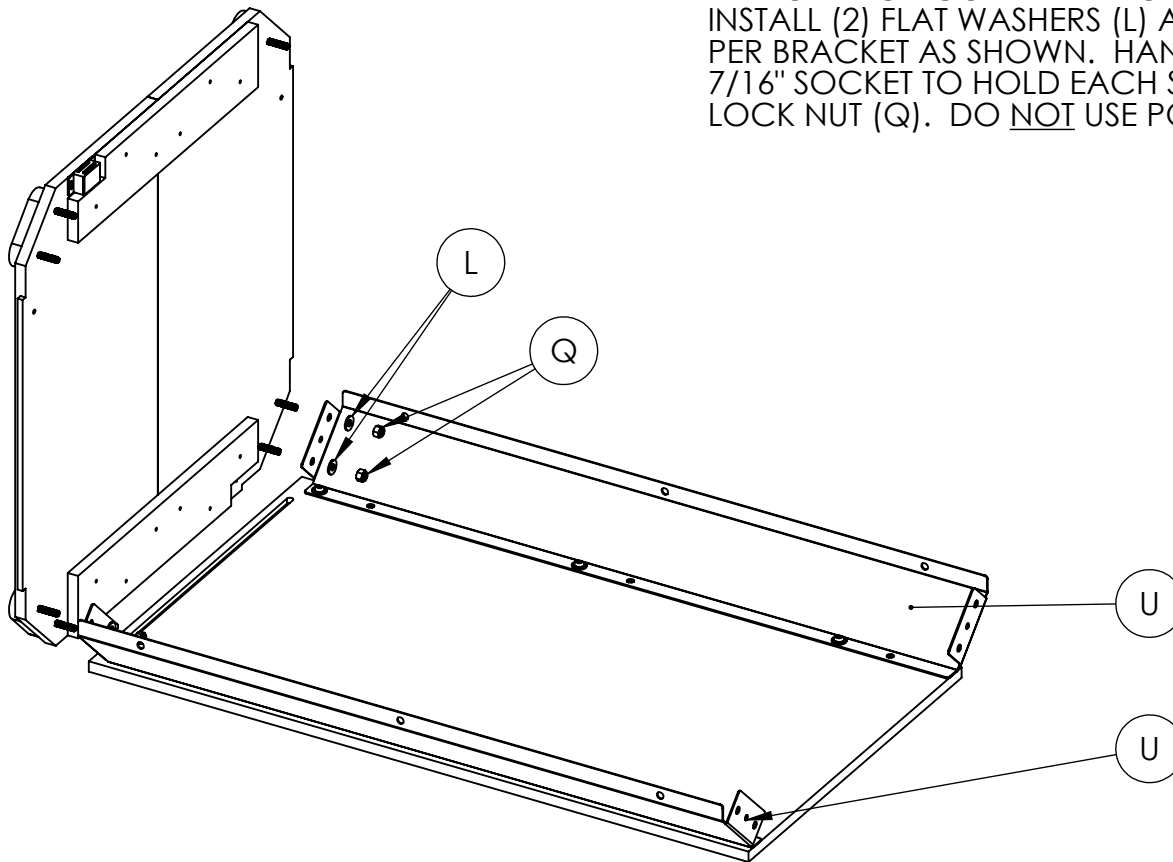
BEGIN BY IDENTIFYING THE BACK PANEL (D). IT HAS (6) METAL INSERTS, ALL CLOSE TO THE EDGE. LAY THIS PART ON A CLEAN, FLAT SURFACE WITH THE HOLES FACING UP. ATTACH (2) METAL CORNER BRACKETS (U) AS SHOWN USING (3) FLAT WASHERS (L) AND (3) 1/4-20 X 1/2" LONG MACHINE SCREWS (R) FOR EACH BRACKET. RUN THE SCREWS IN MOST OF THE WAY BUT DO NOT TIGHTEN YET. DO NOT USE POWER TOOLS.



PINNACLE SINGLE RECEPTACLE ASSEMBLY INSTRUCTIONS

STEP 2

ATTACH THE BOTTOM SUBASSEMBLY (A) TO THE CORNER BRACKETS FROM STEP 1. NOTICE THE CORRECT ORIENTATION OF THE BOTTOM SUBASSEMBLY, WITH THE TAB ALONG THE EDGE OF THE BOTTOM FITTING INTO THE SLOT OF PART (D). WITH THE CORNER BRACKETS SLIGHTLY LOOSE, FIT THE (2) STUDS IN EACH CORNER OF THE BOTTOM ASSEMBLY INTO THE (2) HOLES IN THE END OF EACH CORNER BRACKET. WHEN PROPERLY FITTED, INSTALL (2) FLAT WASHERS (L) AND (2) 1/4" LOCKING NUTS (Q) PER BRACKET AS SHOWN. HAND TIGHTEN THE (4) NUTS. USE A 7/16" SOCKET TO HOLD EACH STUD WHILE TIGHTENING EACH LOCK NUT (Q). DO NOT USE POWER TOOLS.



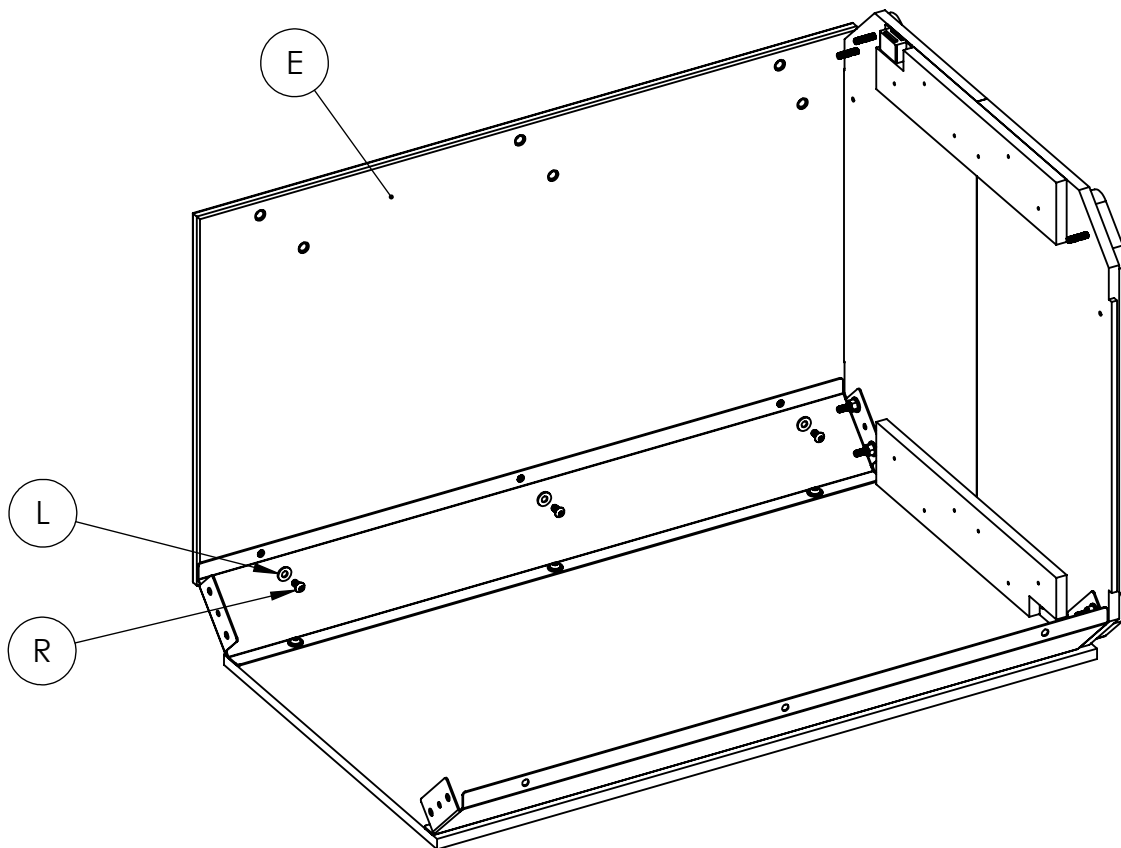
**ATTACH
BOTTOM PANEL**

4/13

PINNACLE SINGLE RECEPTACLE ASSEMBLY INSTRUCTIONS

STEP 3

INSTALL THE RIGHT SIDE PANEL (E). IT IS THE ONLY PANEL WITH 2 ROWS OF HOLES ALONG ONE SIDE. USE (3) FLAT WASHERS (L) AND (3) 1/4-20 X 1/2" MACHINE SCREWS AS SHOWN. HAND TIGHTEN. DO NOT USE POWER TOOLS.



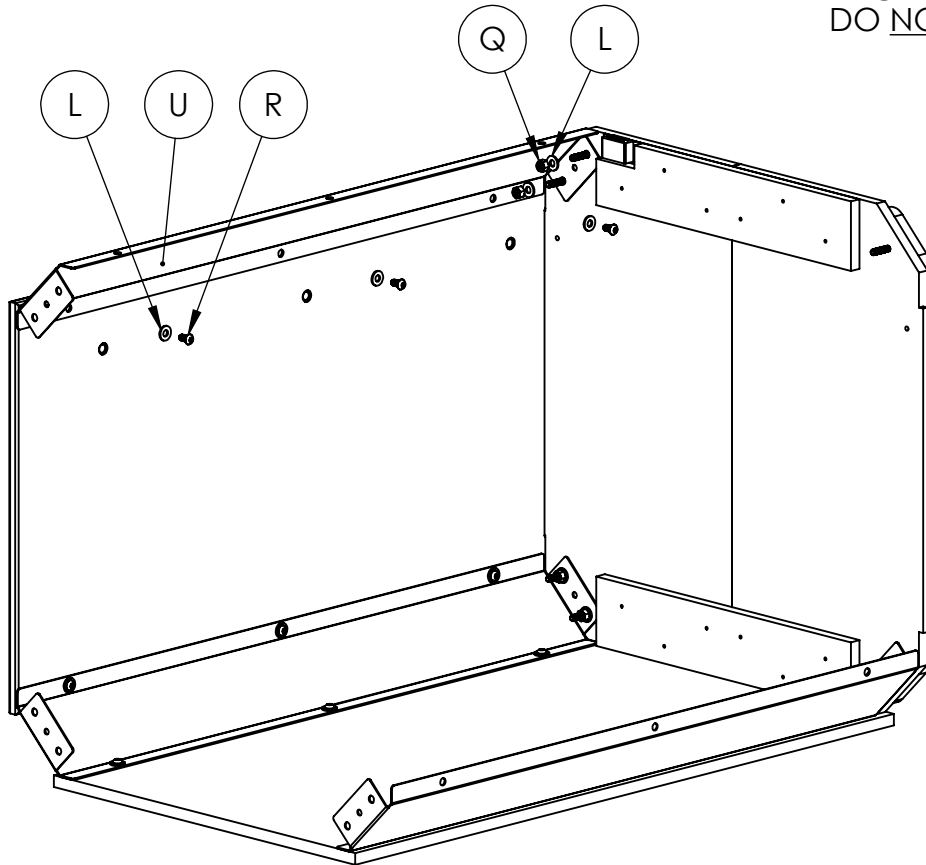
**ATTACH
RIGHT PANEL**

5/13

PINNACLE SINGLE RECEPTACLE ASSEMBLY INSTRUCTIONS

STEP 4

SLIDE CORNER BRACKET (U) ONTO THE (2) STUDS IN THE BOTTOM SUBASSEMBLY. FASTEN TO THE RIGHT SIDE PANEL USING (3) FLAT WASHERS (L) AND (3) 1/4-20 X 1/2" MACHINE SCREWS (R) AS SHOWN. FASTEN THE CORNER BRACKET TO THE BOTTOM SUBASSEMBLY STUDS USING (2) FLAT WASHERS (N) AND (2) LOCKING NUTS (Q). USE A 7/16" SOCKET ON EACH STUD WHILE TIGHTENING EACH LOCK NUT (Q). DO NOT USE POWER TOOLS.



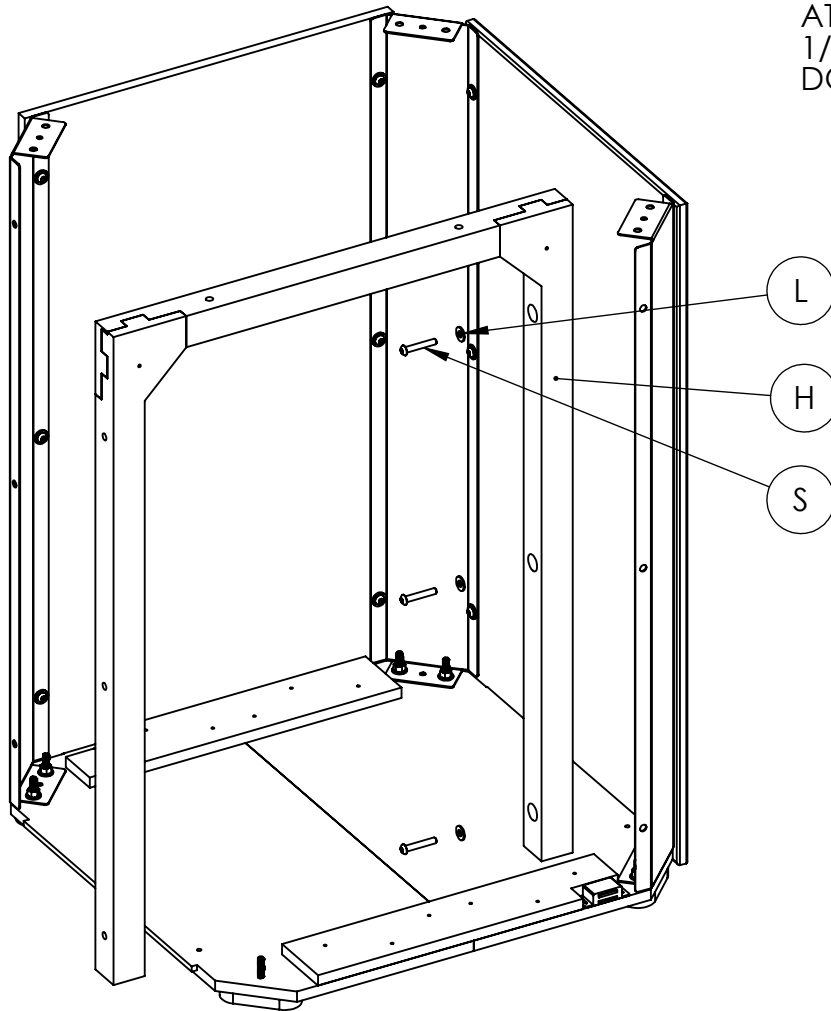
**ATTACH RIGHT
FRONT CORNER**

6/13

PINNACLE SINGLE RECEPTACLE ASSEMBLY INSTRUCTIONS

STEP 5

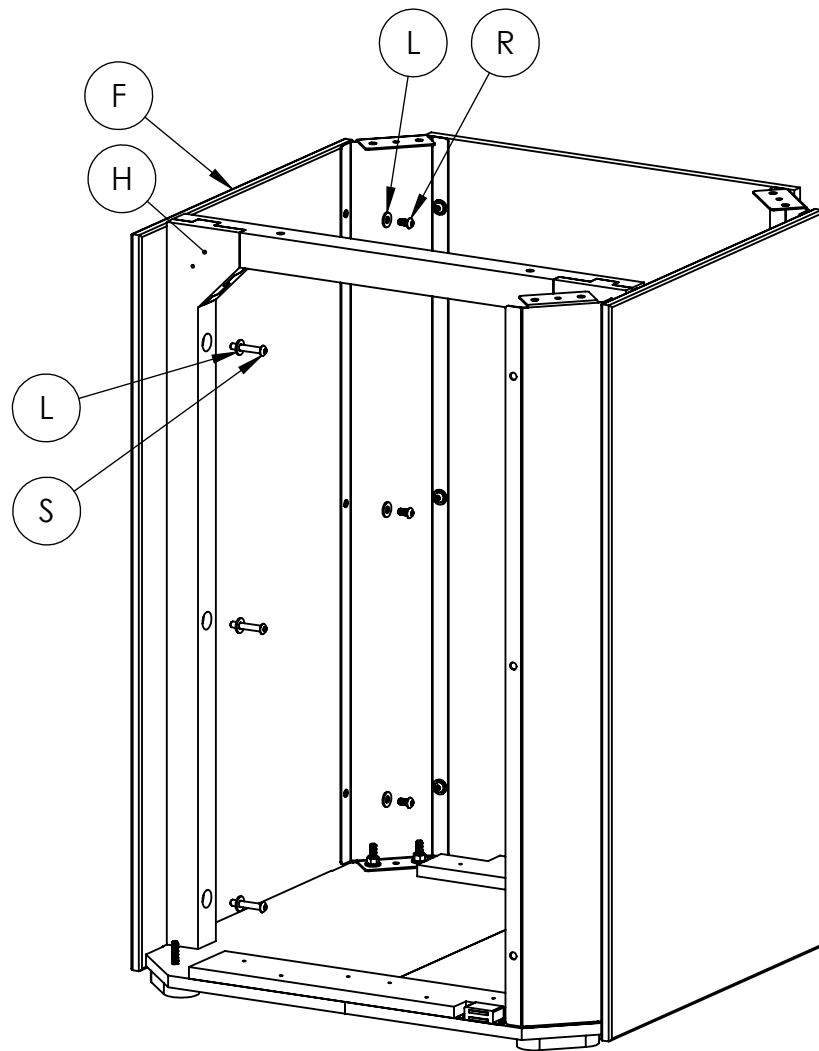
INSTALL THE ARCH SUBASSEMBLY (H). THERE IS NO FRONT OR BACK SO IT CAN GO IN EITHER WAY. ATTACH IT USING (3) FLAT WASHERS (L) AND (3) 1/4-20 X 1-1/2" MACHINE SCREWS (S). HAND TIGHTEN. DO NOT USE POWER TOOLS.



**ATTACH
ARCH**

7/13

PINNACLE SINGLE RECEPTACLE ASSEMBLY INSTRUCTIONS



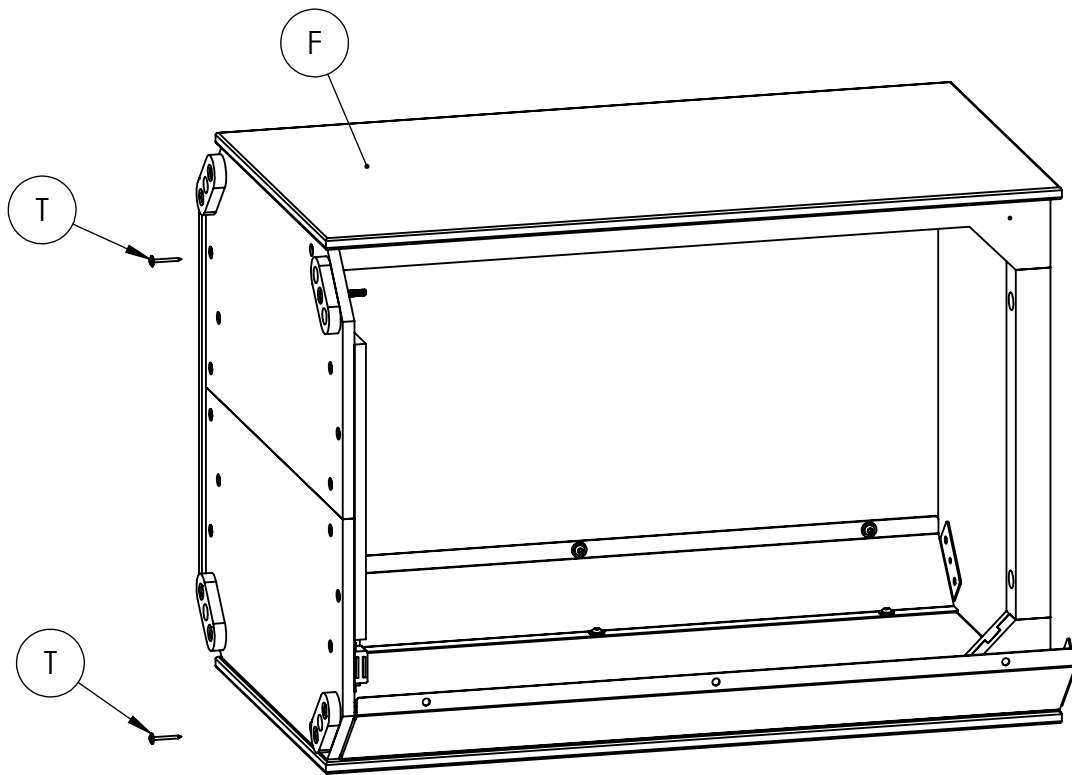
STEP 6

ATTACH THE LEFT PANEL (F) BY FITTING THE BOTTOM GROOVE ONTO THE TAB OF THE BOTTOM SUBASSEMBLY. THE BACK OF THE PANEL GETS ATTACHED TO THE CORNER PIECE USING (3) FLAT WASHERS (L) AND (3) 1/4-20 X 1/2" MACHINE SCREWS (R). THE FRONT OF THE PANEL GETS ATTACHED TO THE ARCH (H) USING (3) FLAT WASHERS (L) AND (3) 1/4-20 X 1-1/2" MACHINE SCREWS (S) AS SHOWN. HAND TIGHTEN ALL SIX. DO NOT USE POWER TOOLS.

PINNACLE SINGLE RECEPTACLE ASSEMBLY INSTRUCTIONS

STEP 7

LAY UNIT ON IT'S RIGHT SIDE ON A CLEAN, FLAT SURFACE. ATTACH THE BOTTOM SUBASSEMBLY (A) TO THE ARCH (H) THROUGH THE TWO HOLES PROVIDED. USE (2) #10 X 1-1/4" PANHEAD SCREWS (T). MAKE SURE THE LEFT PANEL (F) IS SEATED TIGHTLY AGAINST THE BOTTOM BEFORE INSERTING THE SCREWS.



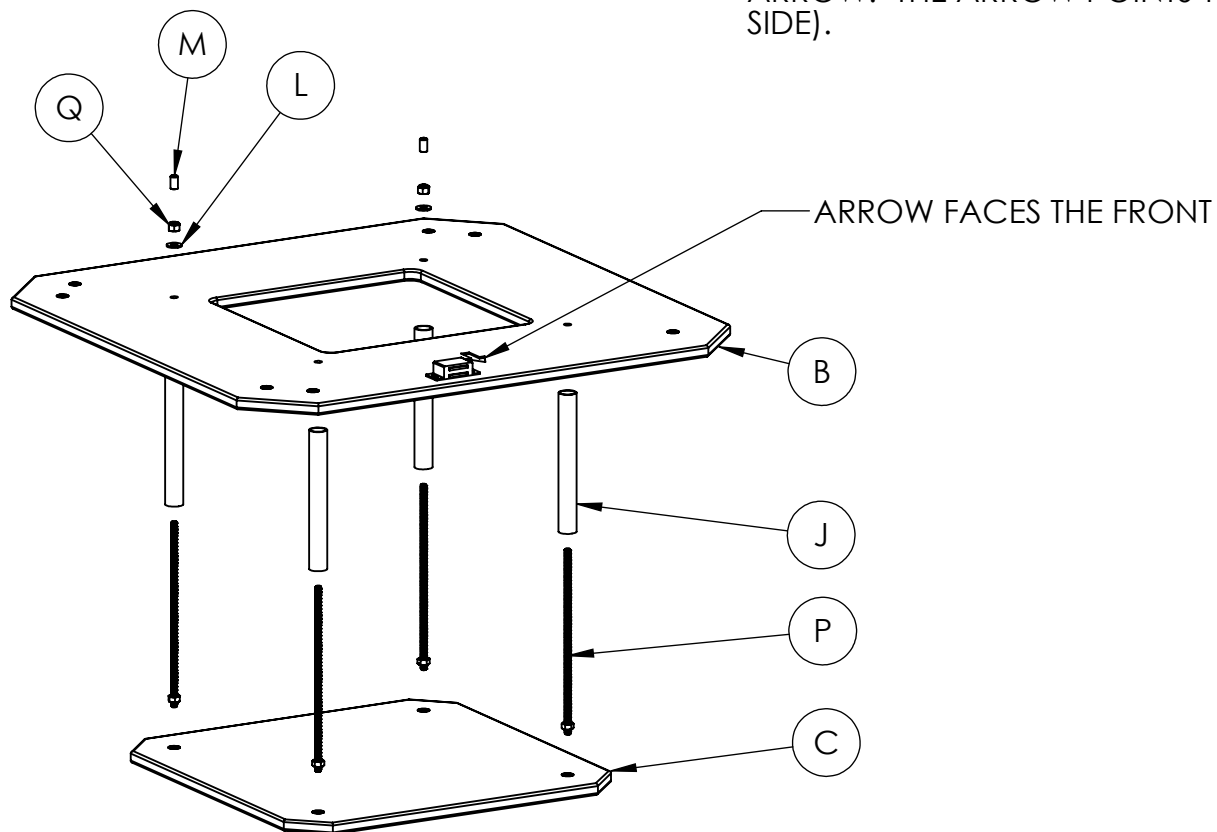
**ATTACH BOTTOM
TO ARCH**

9/13

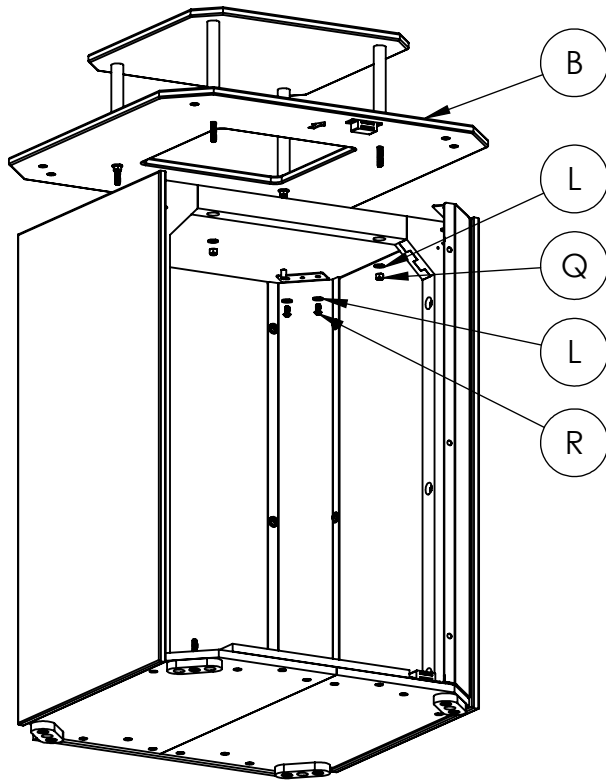
PINNACLE SINGLE RECEPTACLE ASSEMBLY INSTRUCTIONS

STEP 8

LAY THE RAIN BONNET (C) UPSIDE DOWN ON A CLEAN, FLAT SURFACE. INSTALL (4) THREADED ROD SUBASSEMBLIES (P) INTO THE METAL INSERTS IN THE CORNERS. TIGHTEN FINGER TIGHT. NEXT, SLIP (4) STANDOFFS (J) OVER THE THREADED RODS. THEN PLACE THE TOP WITH OPENING, UPSIDE DOWN ONTO THE THREADED RODS. GUIDE THE THREADED RODS THROUGH THE (4) HOLES OF THE TOP PANEL. SECURE THE REAR THREADED RODS WITH (2) FLAT WASHERS (L) AND (2) LOCKING NUTS (Q). INSERT THE PLASTIC CAPS (M) ONTO THE ENDS OF THE RODS. THE TWO REAR RODS CAN BE IDENTIFIED BY REFERENCING THE ENGRAVED ARROW. THE ARROW POINTS TO THE FRONT OF THE UNIT (DOOR SIDE).



PINNACLE SINGLE RECEPTACLE ASSEMBLY INSTRUCTIONS

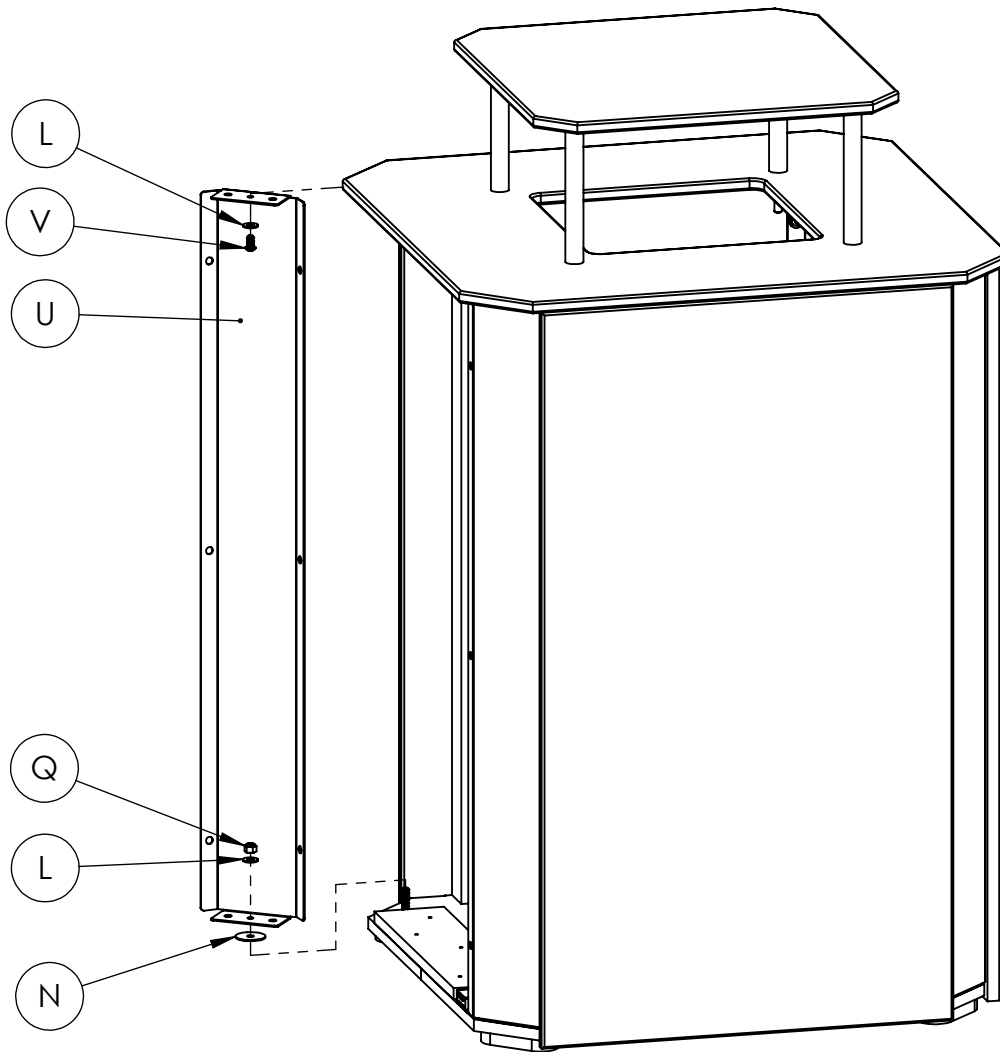


STEP 9

BEGIN BY ALIGNING AND SLIDING THE FRONT FACING RODS INTO THE HOLES OF THE ARCH SUPPORT. LOOSELY FASTEN THEM WITH (2) FLAT WASHERS (L) AND (2) LOCKING NUTS (Q). NEXT, ALIGN THE HOLES IN THE METAL CORNER BRACKETS (U) WITH THE HOLES IN THE UNDERSIDE OF THE TOP (B). SECURE THE THREE CORNER BRACKETS USING (2) FLAT WASHERS (L) AND (2) 1/4-20 X 1/2" MACHINE SCREWS (R) FOR A TOTAL OF 6 LOCATIONS.

TIP: TO ALIGN CORNER BRACKET HOLES WITH THE THREADED HOLES OF THE TOP, A SMALL PHILLIPS SCREWDRIVER CAN BE INSERTED INTO ONE HOLE. GENTLY PRY USING THE SCREWDRIVER TO ALIGN THE SECOND HOLE AND START THE FIRST MACHINE SCREW.

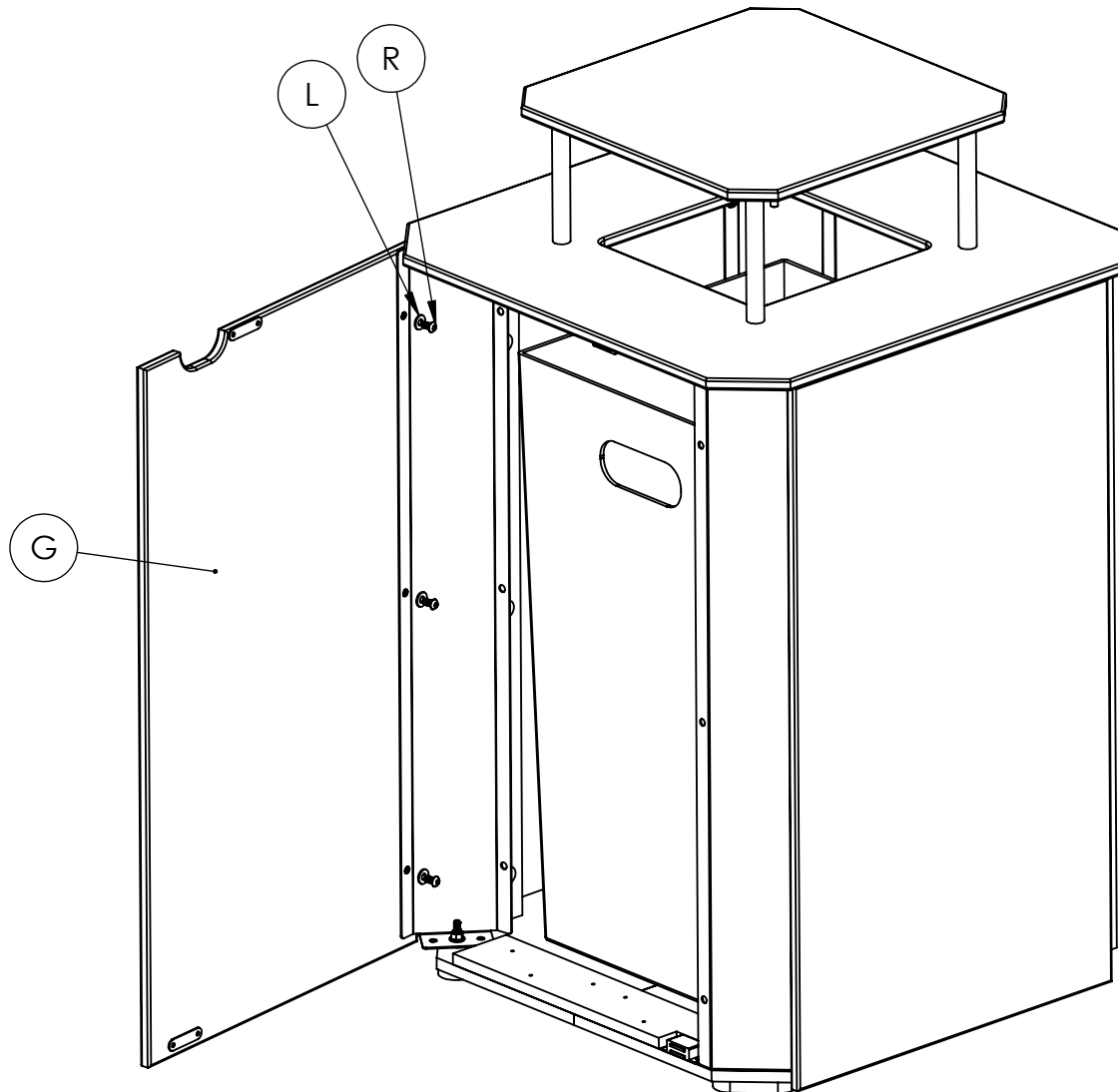
PINNACLE SINGLE RECEPTACLE ASSEMBLY INSTRUCTIONS



STEP 10

BEGIN BY SLIDING LARGE FLAT WASHER (N) OVER THE LAST REMAINING STUD LOCATED AT THE BOTTOM OF THE RECEPTACLE. ATTACH THE 4TH CORNER BRACKET BY SLIDING THE CENTER HOLE OVER THE LAST REMAINING STUD AND SECURING WITH FLAT WASHER (L) AND LOCKING NUT (Q). LOCKING NUT SHOULD BE TIGHTENED JUST OVER HAND TIGHT. GUIDE THE TOP OF THE CORNER BRACKET INTO PLACE SO THE CENTER HOLE LINES UP WITH THE HOLE IN THE UNDERSIDE OF THE TOP. SECURE WITH FLAT WASHER (L) AND SPECIAL 1/4-20 X 1/2" MACHINE SCREW WITH NYLON LOCKING PATCH (V).

PINNACLE SINGLE RECEPTACLE ASSEMBLY INSTRUCTIONS



STEP 11

ATTACH DOOR PANEL (G) TO HINGE USING (3) FLAT WASHERS (L) AND (3) 1/4-20 X 1/2" MACHINE SCREWS (R). HAND TIGHTEN. NEXT, INSTALL THE LATCH SUBASSEMBLY (K) USING (2) 1/4" FLAT WASHERS (L) AND (2) 1/4-20 X 1/2" MACHINE SCREWS. GO BACK AND MAKE SURE ALL FASTENERS ARE TIGHT. DO NOT USE POWER TOOLS. IF NECESSARY, LOOSEN THE SCREWS ATTACHING THE MAGNETIC LATCHES AND ADJUST FOR A BETTER FIT. THEN RETIGHTEN.

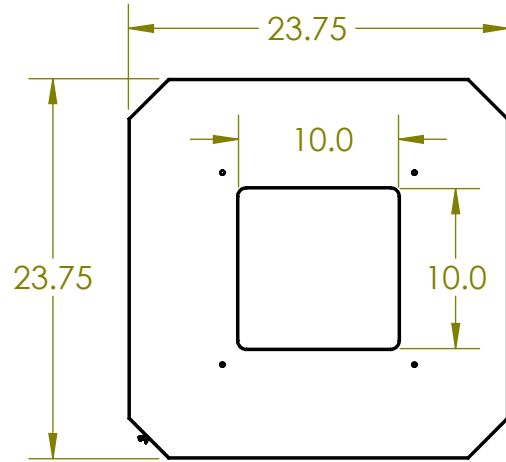
CONGRATULATIONS! YOU HAVE ASSEMBLED YOUR PINNACLE SINGLE WASTE ENCLOSURE.

PINNACLE SINGLE RECEPTACLE SPECS

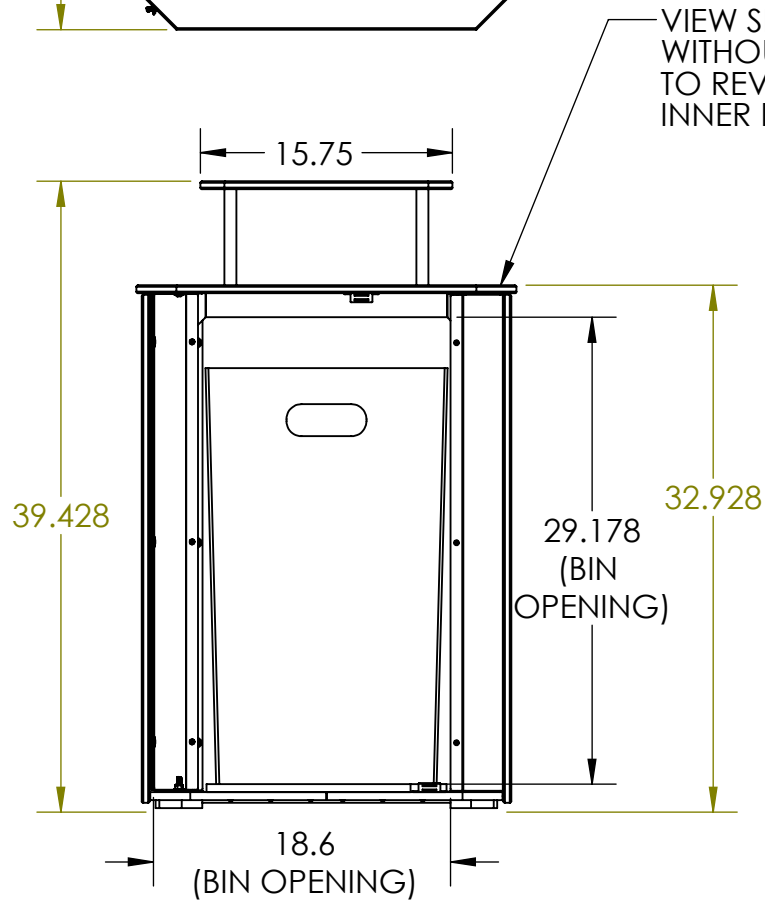
ALL DIMENSIONS ARE SHOWN IN INCHES

REV #1
2/20/23

MATERIALS:
POWDER COATED STEEL
MARINE GRADE POLYMER AND
STAINLESS STEEL HARDWARE



VIEW SHOWN IS WITHOUT RAIN BONNET TO SHOW SIZE OF CUTOUT.



VIEW SHOWN WITHOUT DOOR TO REVEAL INNER DETAIL.

