

ADD-A-FLASH LED STOP SIGN FLASHING RING

SPECIFICATIONS

ILLUMINATION

LEDs configured around perimeter of sign, within border (fully MUTCD compliant design)

LED Pitch: 1.9" (4.8cm) (on centers)

Red LEDs with 30° Viewing Angle, rated at 100,000 hours

DG3 white reflective sheeting applied to ring face for natural appearance

CONSTRUCTION

14 gauge 5052 aluminum construction

Individually lensed LEDs recessed behind faceplate

Ring Depth: 0.4"/10.0mm to minimize impact on natural sign appearance

No mounting or wiring exposed on reverse of sign

ENVIRONMENTAL

Nema 4x Enclosure

Potted electronics (hermetically sealed)

-40° C to + 60° C operating range (-29° F to +140° F)

DETAILS

PHYSICAL DESCRIPTION

Retrofits to any existing Stop Sign manufactured to MUTCD requirements of corresponding size

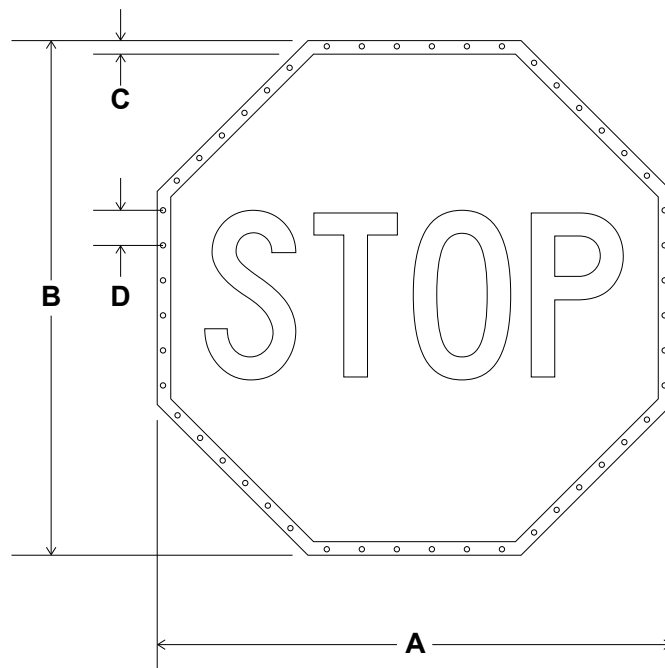
Mounting: all LED hardware mounted within the white border of the sign. Mounted either with adhesive backing or included self tapping screws. Rivets may be utilized to improve tamper resistance

MUTCD compliant LED placement and usage

10ft. (3m) single cable extension to reach Controller or Collaborator

MUTCD Sign Size	Ring Length (A)	Ring Height (B)	Ring Width (C)	LED Offset (D)
24"	24"/61cm	24"/61cm	.625"/1.6cm	1.9"/4.8cm
30"	30"/76cm	30"/76cm	.625"/1.6cm	1.9"/4.8cm

MUTCD Sign Size	LED Count	Light Output (cd)	Power (Watts)
24"	40	270000	3.20
30"	48	324000	3.84



SOLAR PANEL SPECIFICATIONS

PHYSICAL DESCRIPTIONS

Mounting: Universal bracket accommodates most industry standard round or square posts of suitable load rating

Designed for retrofit installation to existing infrastructure

NEMA 4X enclosures

All electronics potted for weatherproofness

Stainless fasteners used for corrosion resistance

ENVIRONMENTAL

-40° F to +140° F [-40° C to +60° C] operating range

INPUT /OUTPUT

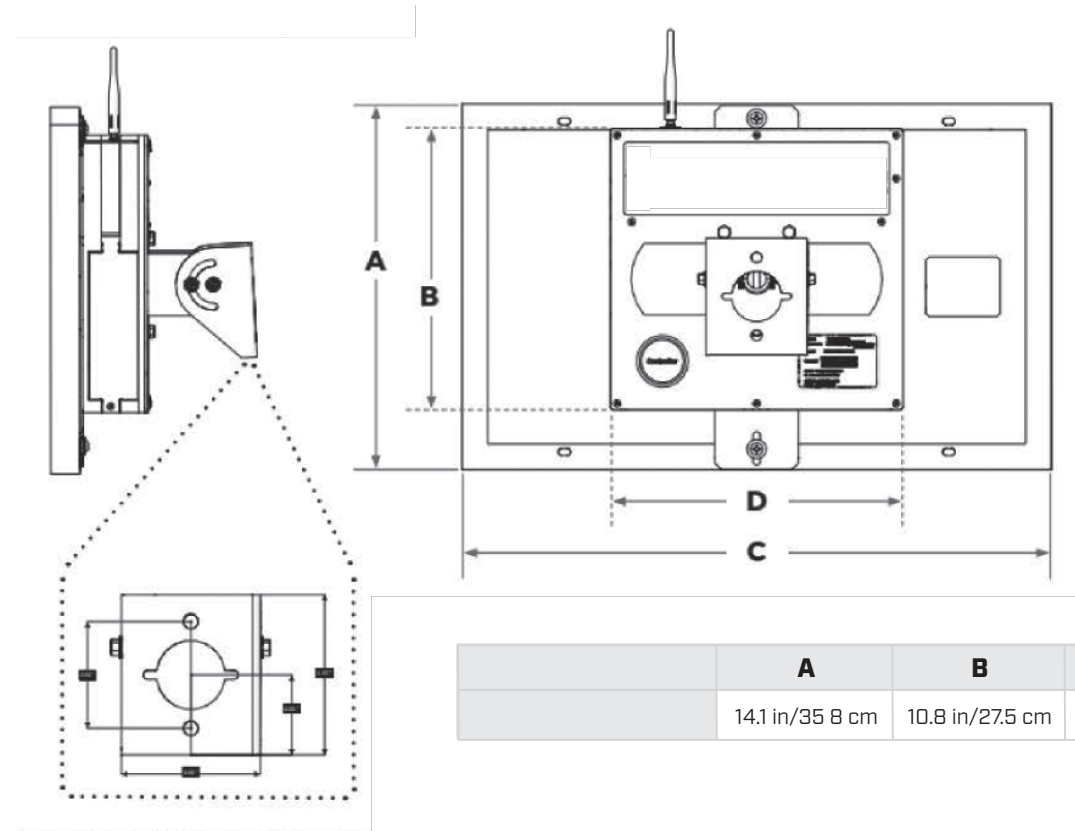
Inputs: 1 per Controller, accept dry contact closure, optional input devices include: Push Button, Environmental sensors, and others

Outputs: 2 per Controller, 12W max requirement. output devices include Sign Rings and Beacons

Light sensor for configurable auto-dimming feature based on ambient light conditions

MODEL DETAILS

	Weight	Dims	AC/Solar	Battery	Solar Panel	AC Input
	25 lbs/11 kg	22.7"W X 14.1"H X 3.9"D [57.7cm, 35.8cm, 9.9cm]	Integrated Solar	AGM, 12Ah, 12V	20W/1.16A [incl.]	Does not apply



	A	B	C	D
	14.1 in/35.8 cm	10.8 in/27.5 cm	22.7 in/57.5 cm	11.2 in/28.5 cm