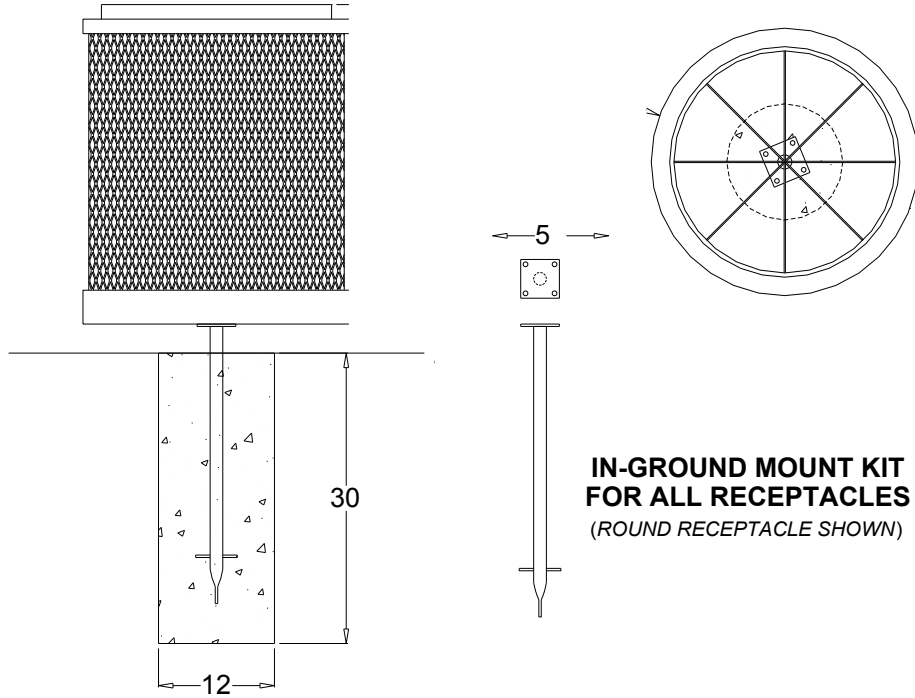


In-Ground Mount Stand for Total Coat Receptacles



Description	Qty.
Direct Bury Post	1
3/8"x1-1/2" Hex Head Bolt	4
3/8" SS Nylock Nut	4
3/8" SS Flat Washer	8

Assembly Instructions

- 1 With a post hole auger drill a hole in the ground 30" deep in the desired location.
- 2 Drill out the holes in the mounting plate of the post with a 7/16" dia. drill bit. Also drill out the holes in the mounting plate of the garbage receptacle base.
- 3 Place the in-ground mount post into the center of the ground hole and support it in place. Make sure that the top of the post is level. If the top mounting plate is not level, the receptacle will not stand straight. The base of the receptacle can be installed to the post prior to securing the post in the ground hole. If the base is installed to the post you may have to clean concrete from the base after filling the hole. *(Note: The distance between the ground and the bottom of the receptacle is your choice. You need to leave enough room to install the fasteners.)*
- 4 Fill the hole with concrete after the post is leveled. We suggest that you fill the hole slightly higher than ground level and crown the top of the concrete so that water doesn't pool under the receptacle.
- 5 After the concrete has set you can continue with the receptacle installation.

In Accordance to California law: **WARNING** This product contains a chemical known to the State of California to cause cancer and birth defects or other reproductive harm.

Periodic check of bolt tightness recommended.