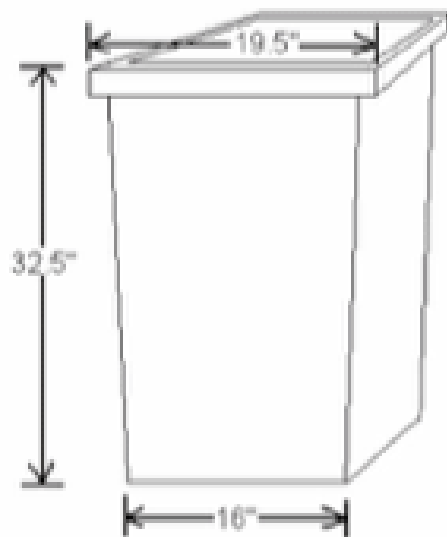
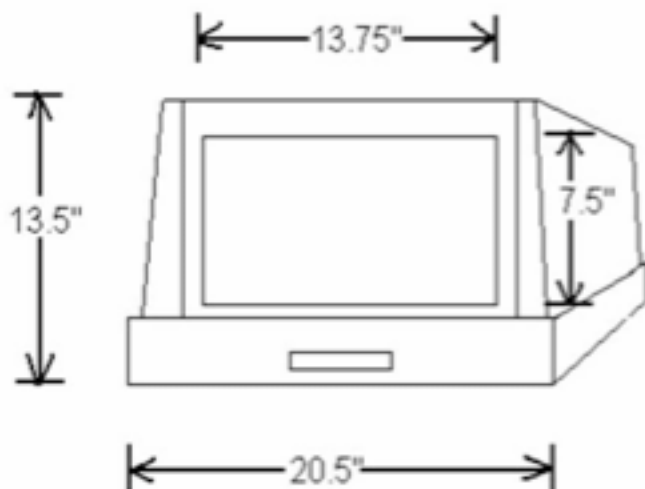


35 Gal. Stone Aggregate Receptacle with Hood Lid Specifications



Specifications:

- Dimensions: 19.5" x 19.5" at top, 16" x 16" at base, 32.5" height
- Weight: 155 lbs
- Materials: Non-removable fiberglass liner, natural 3/8" river stone aggregate



Specifications:

- Dimensions: 20.5" x 20.5" x 13.5", 13.75" x 7.5" opening for trash deposit
- Weight: 6lbs
- Materials: Rotationally molded #4 recyclable HDPE

