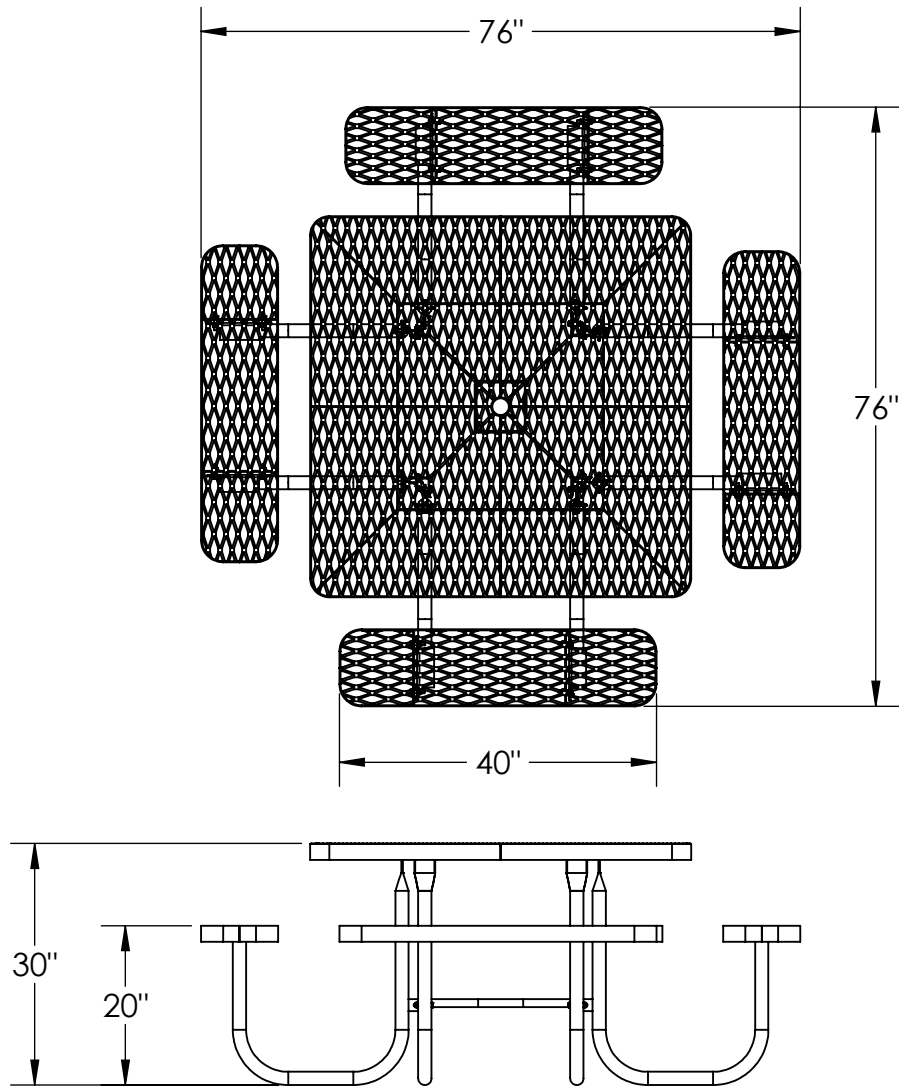


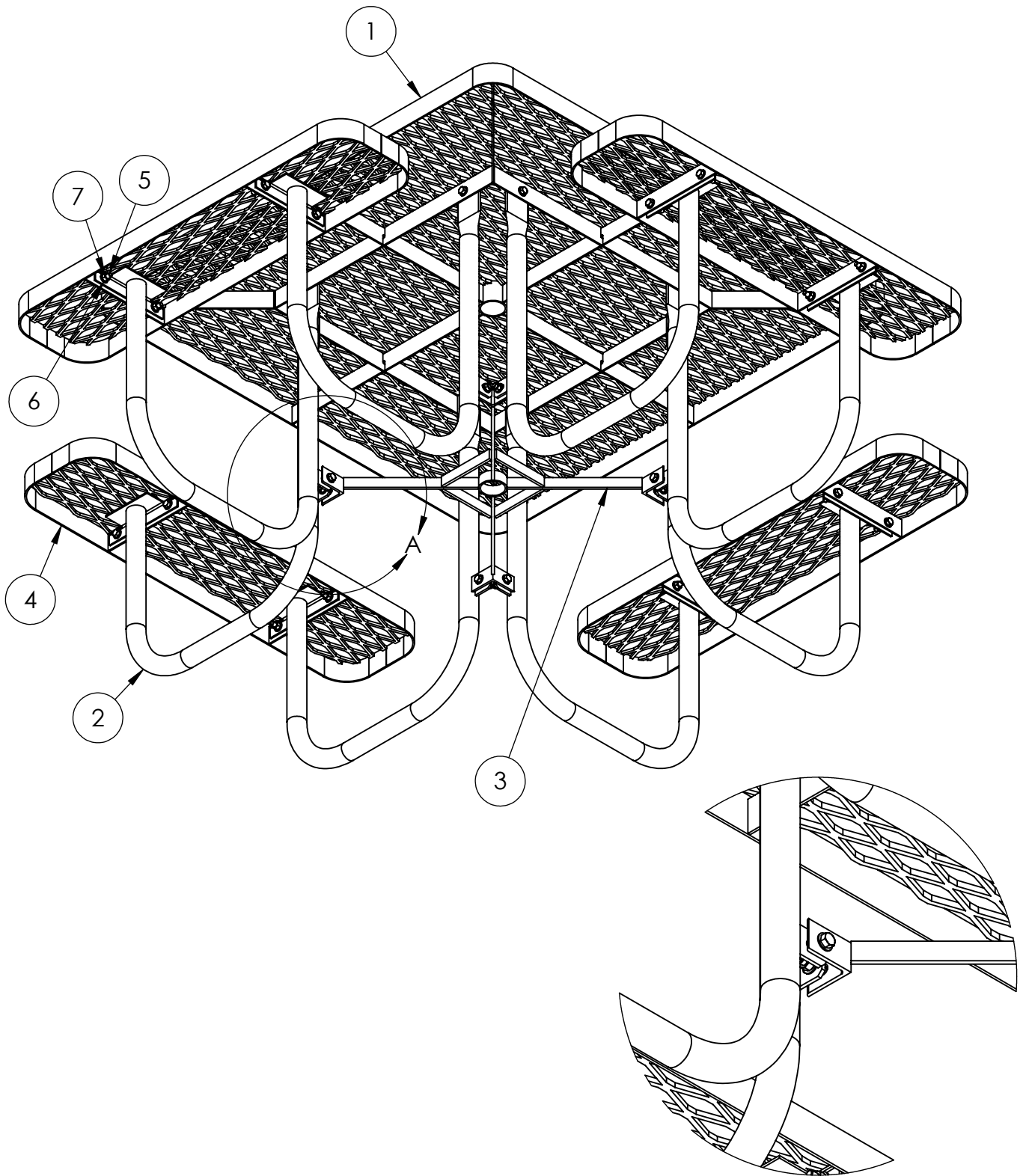
## 4' Square Picnic Table



1. With table top upside down bolt 2 opposing legs on to top. Do not tighten the bolts now.
2. Attach "x" shaped leg brace to the 2 legs.
3. Attach the other 6 legs fastening to the "x" shaped leg brace as you go.
4. Attach seats to other end of leg. The vertical portion of the angle iron leg top bolts flush with the seat support bar.
5. Flip the table right side up, level the top and seats, and tighten all of the bolts.

ITEM NO.	DESCRIPTION	QTY.
1	Square Table Top	1
2	Sq./Rnd Table Free Standing Leg	8
3	Sq./Rnd Table Leg Support Bracket	1
4	40x10" Seat	4
5	3/8"x1-1/2" SS Hex Bolt	32
6	3/8" SS Flat Washer	64
7	3/8" SS Nylock Nut	32

# 4' Square Picnic Table



DETAIL A  
SCALE 1 : 6

In Accordance to California law: WARNING This product contains a chemical known to the State of California to cause cancer and birth defects or other reproductive harm.

SIZE  
**A**

Periodic check of bolt tightness is recommended.

REV. X.01 | SHEET 2 OF 2