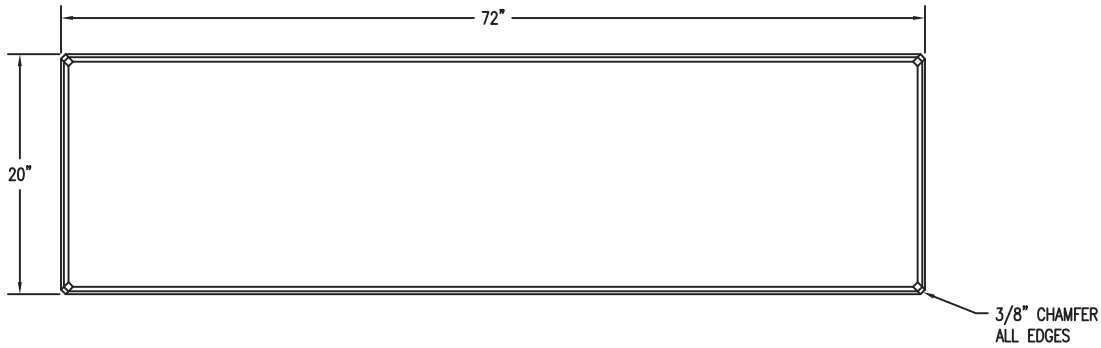


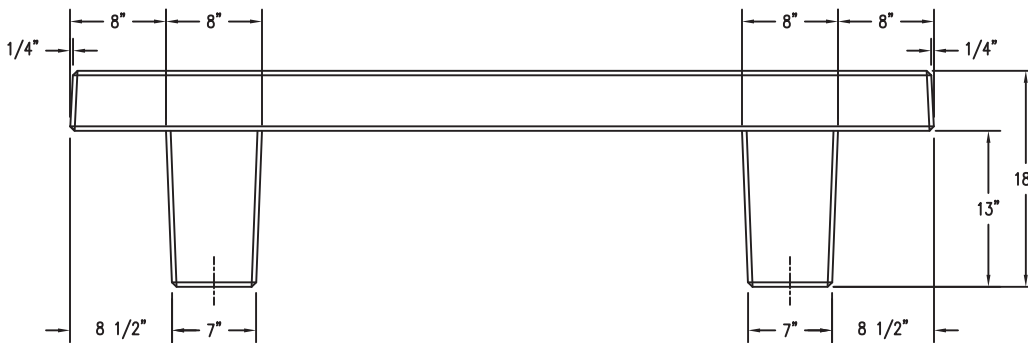
# University Concrete Bench



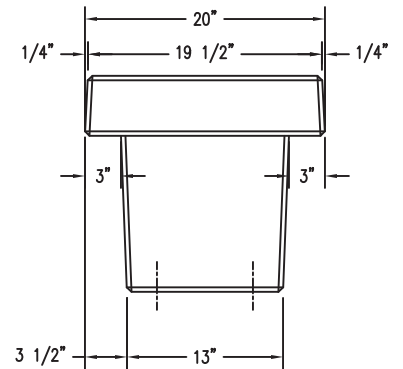
- Size:** 72" x 20" x 18" H
- Weight:** 940 Lbs.
- Material:** Renifored Concrete
- Reinforcing:** 3/8" Dia. steel rebar
- Anchoring:** (4) 1/2" Dia. threaded inserts



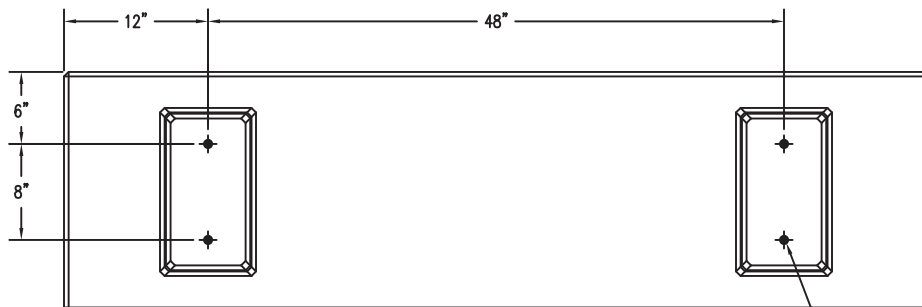
1 TOP VIEW  
Scale: 1/8" = 1"



2 FRONT & BACK ELEVATION  
Scale: 1/8" = 1"



3 END ELEVATION  
Scale: 1/8" = 1"



4 BOTTOM VIEW  
Scale: 1/8" = 1"

1/2"-13 INSERTS  
(4) REQ'D