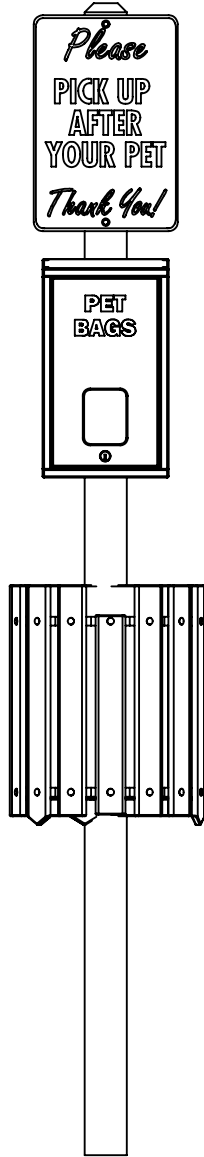
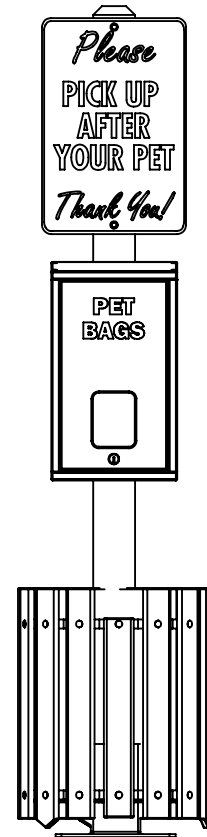


INSTRUCTIONS PW1475-PW1480

REV# 1

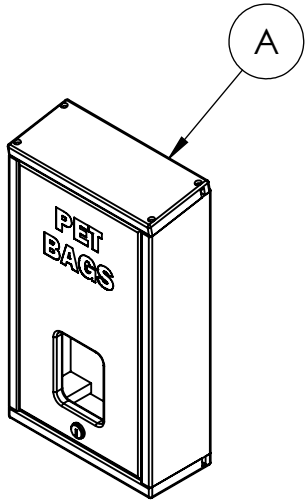


INGROUND MOUNT

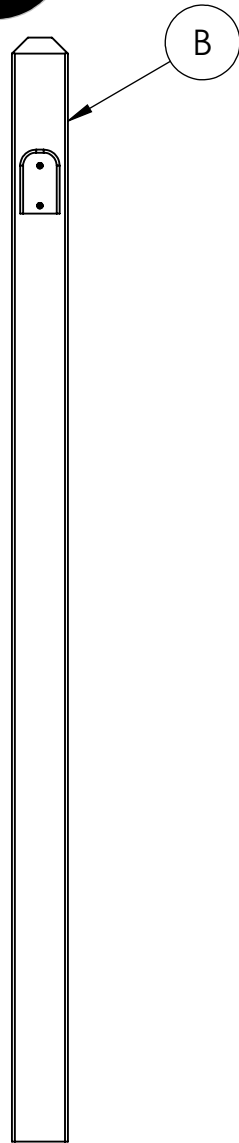


SURFACE MOUNT

INSTRUCTIONS PW1475-PW1480

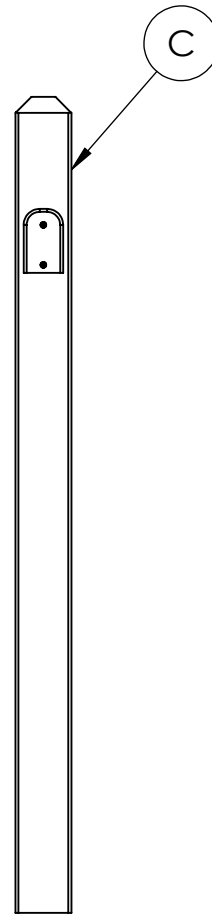


1
Pet Bags Dispenser

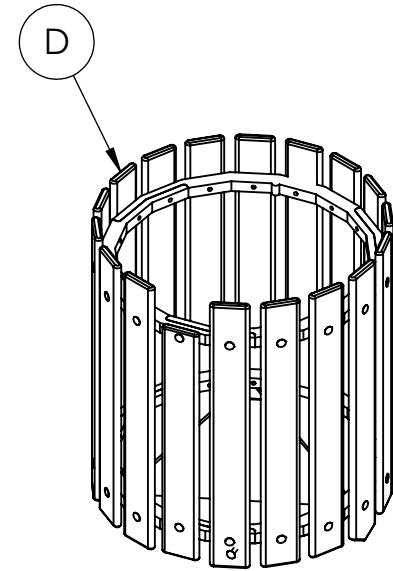


1
Inground Post

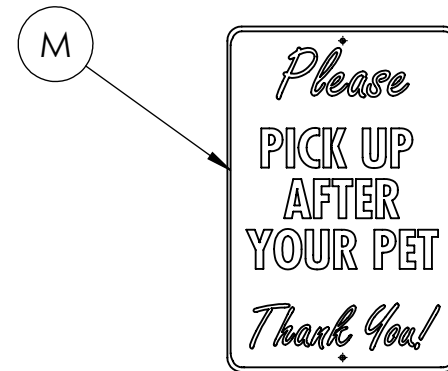
OR



1
Surface Mount Post



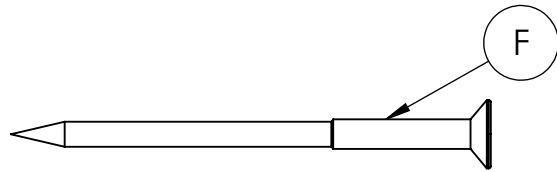
1
Receptacle



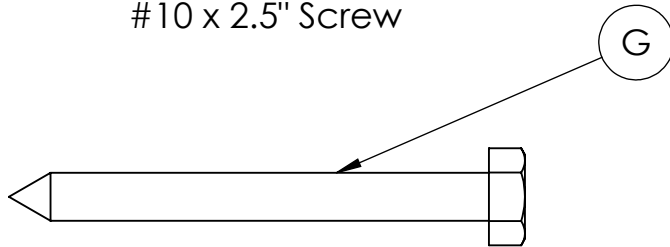
1
Sign

**HARDWARE &
TOOLS REQUIRED
FOR ASSEMBLY**

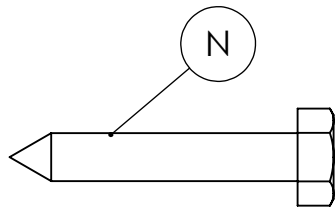
INSTRUCTIONS PW1475-PW1480



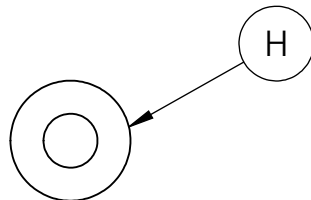
2
#10 x 2.5" Screw



2
1/4" x 2.5" Lag Screw



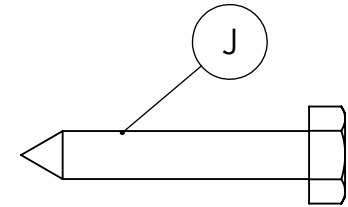
2
1/4" x 1.5" Lag Screw



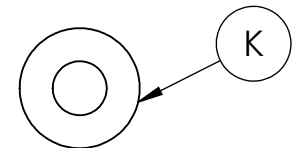
4
1/4" Flat Washer

**REQUIRED TOOLS
(NOT INCLUDED)**
1 - 7/16" WRENCH
1 - #2 SQUARE BIT

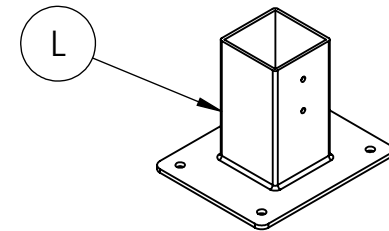
SURFACE MOUNT HARDWARE



2
1/4" x 1.5" Lag Screw



2
1/4" Flat Washer



1
Surface Mount Base

**HARDWARE &
TOOLS REQUIRED
FOR ASSEMBLY**

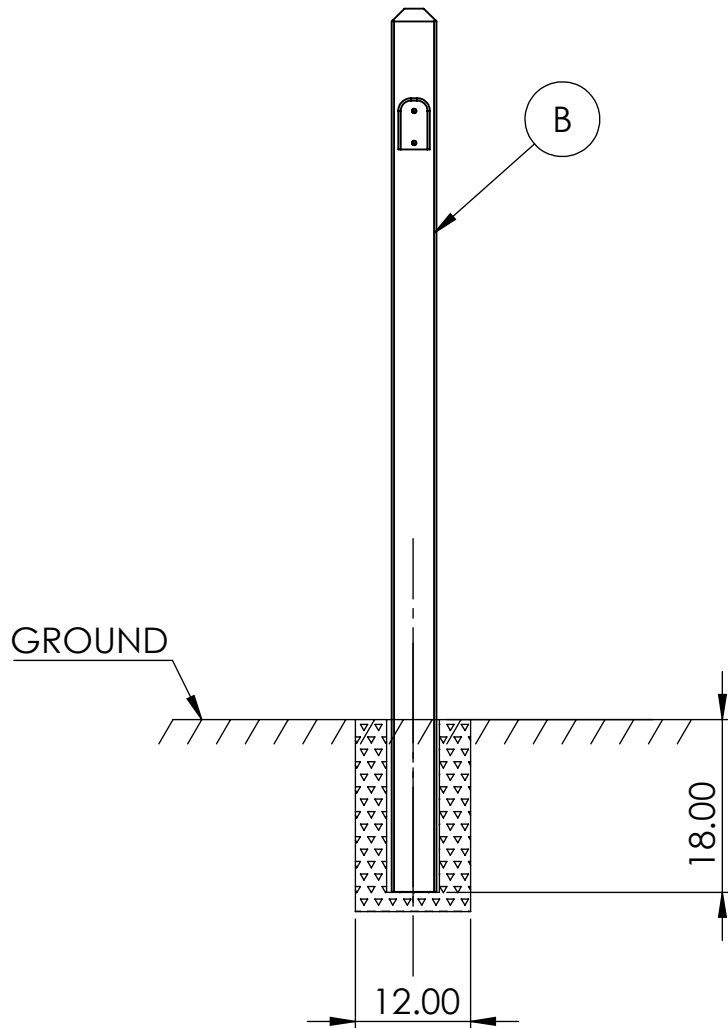
3/7

INSTRUCTIONS

PW1475-PW1480

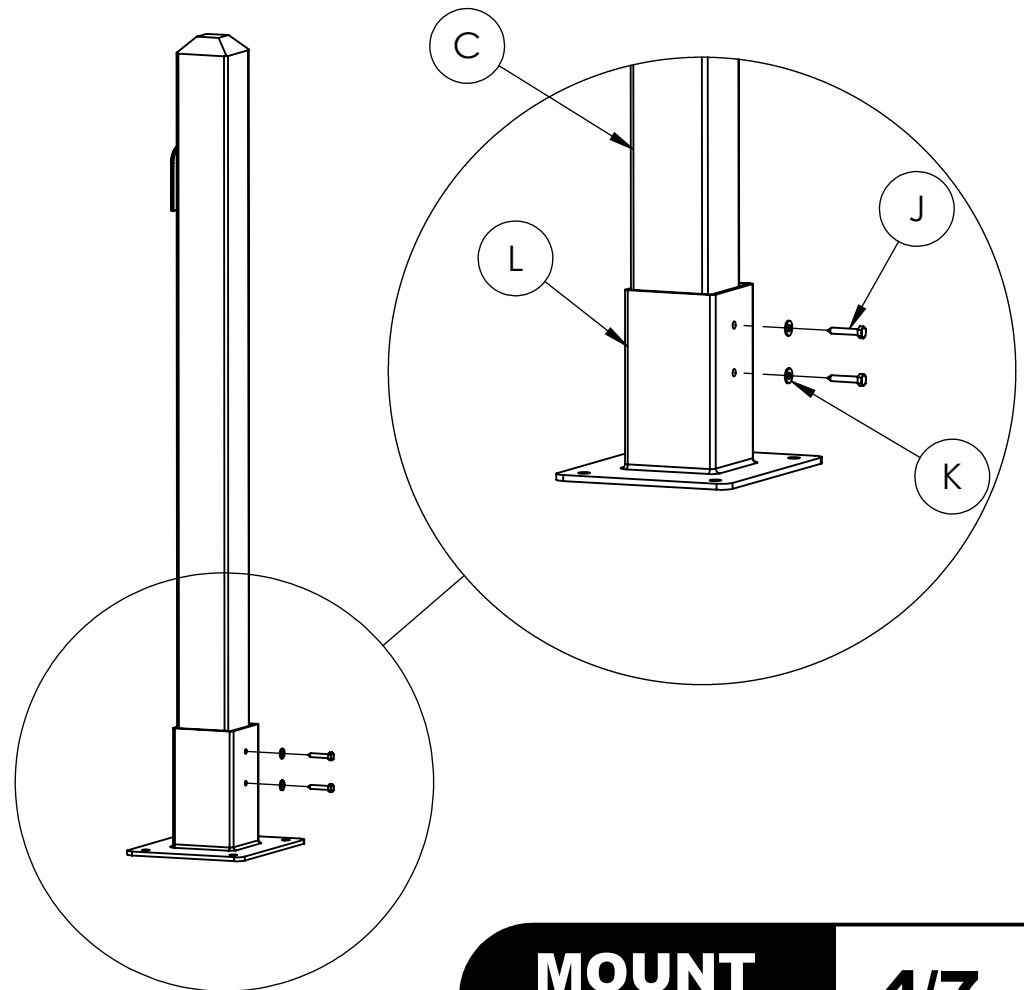
Inground Mount

- Dig a hole 12 inches in diameter to a depth of 18 inches
- Insert the inground mount (B) post into the hole
- Level the post with the ground
- Pour concrete into the hole and allow to set



Surface Mount

- Insert the post (C) into the surface mount base (L)
- Secure the post to the base with 2 1/4" x 1.5" lag screws (J) and washers (K) provided
- Place the post upright in desired location
- Square the post assembly to the ground
- Attach the surface mount base to the ground using appropriate hardware (not included)



**MOUNT
POST**

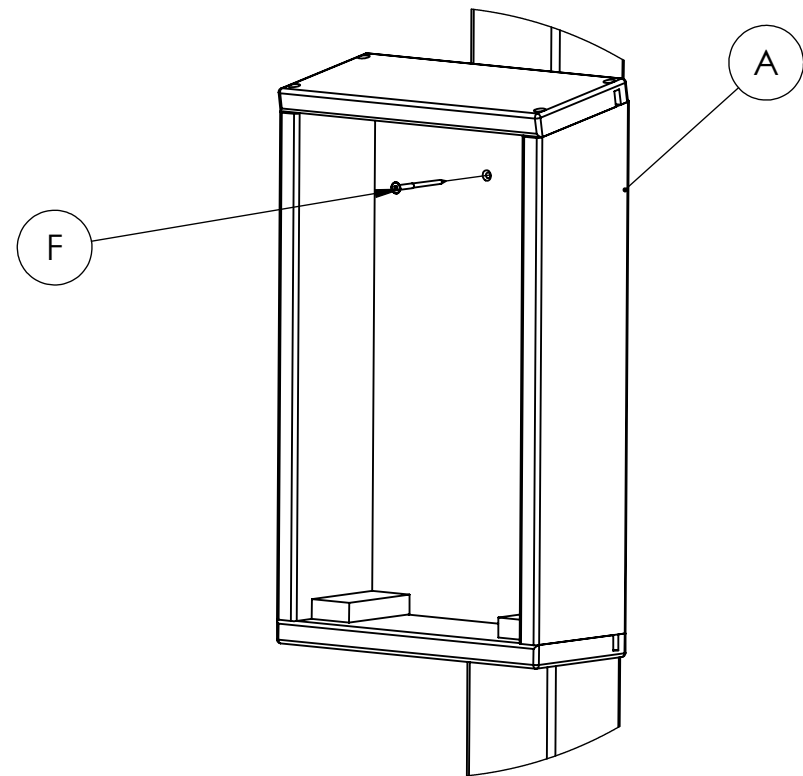
4/7

INSTRUCTIONS

PW1475-PW1480

MOUNT THE DISPENSER

- Slide the pet bags dispenser (A) onto the post
- Install the #10 x 2.5" screw (F) to secure the dispenser to the post (Only 1 is needed but 2 are supplied in case of stripping)



NOTE: LID REMOVED TO SHOW DETAIL

INSTRUCTIONS

PW1475-PW1480

Mount the Receptacle

- Locate the slat opposite of the shortest slat on the receptacle
- Mark the slat 1.5" below the top ring
- INGROUND- Mark the slat 1.5" above the bottom ring
- SURFACE MOUNT- Mark the slat 6" above the bottom ring
- Drill 1/4" through holes at your marks on the slat
- Place the receptacle on the ground in front of the post with the holes you just drilled against the post
- Mark both hole locations on the post with a marker
- Drill a 1/8" pilot hole at each mark 1" to 2" deep
- Install both lag screws (G) through the slat as shown per Figure 1
- Use a 7/16 wrench to tighten

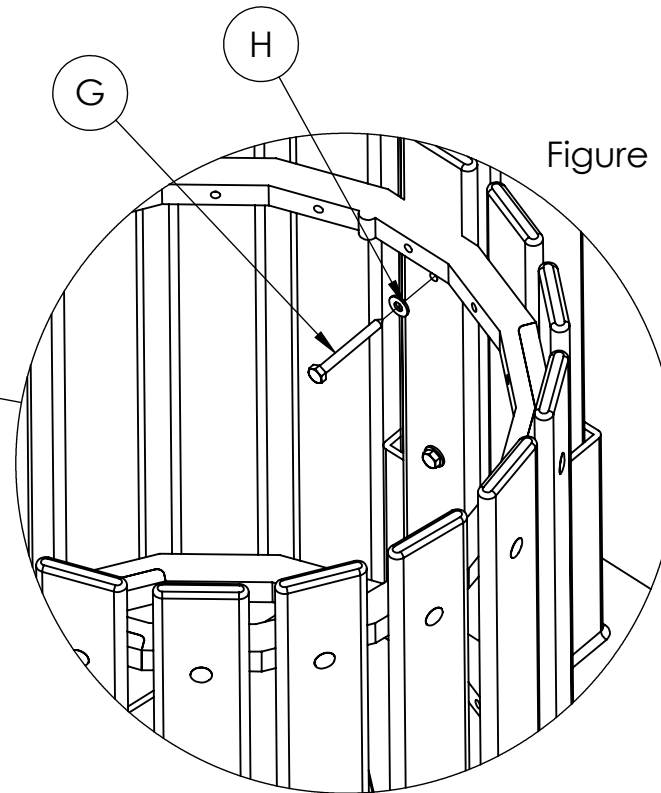
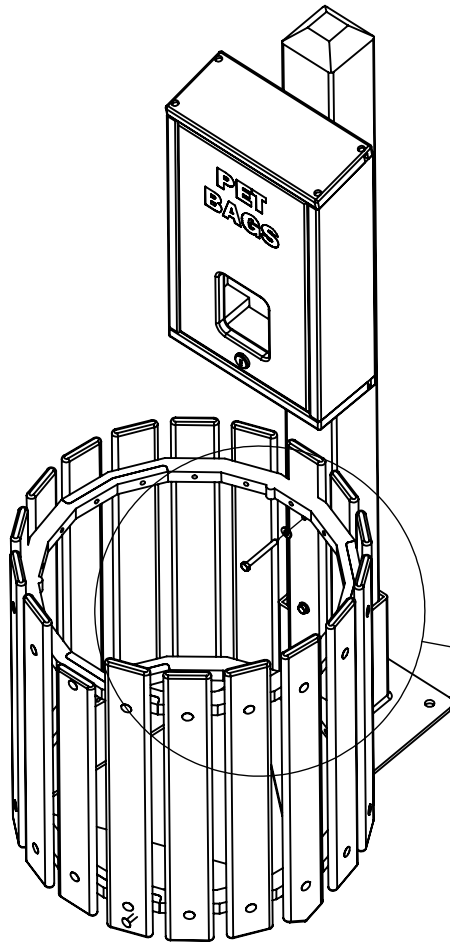


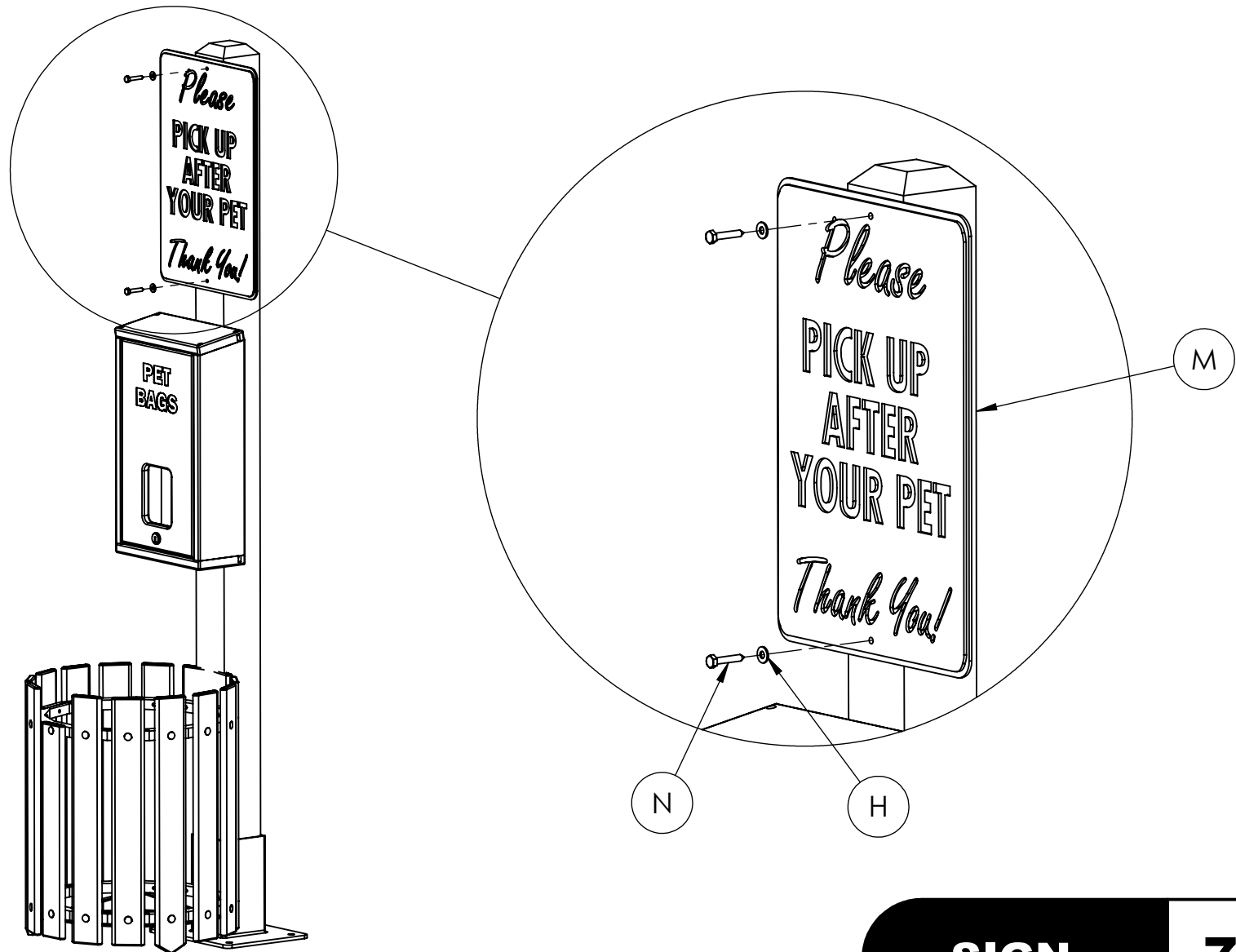
Figure 1

INSTRUCTIONS

PW1475-PW1480

Attach the Sign

- Locate the predrilled holes towards the top of the post
- Align the predrilled holes with the holes in the sign
- Secure the sign with 1/4 x 1.5" lag screws (N) and flat washers (H)



PW1475-PW1480

NOTE: ALL MATERIAL IS RECYCLED PLASTIC LUMBER UNLESS NOTED
ALL DIMENSIONS SHOWN IN INCHES

