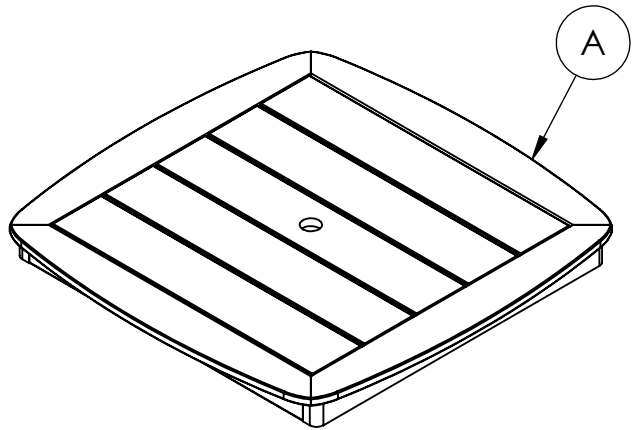


TABLE INSTRUCTIONS

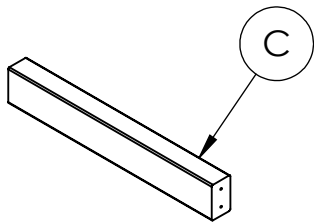
CF1245 REV# 2
7-12-2017



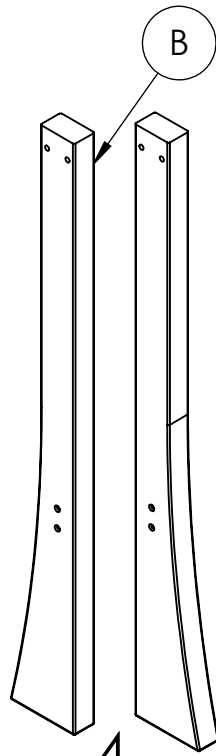
TABLE INSTRUCTIONS



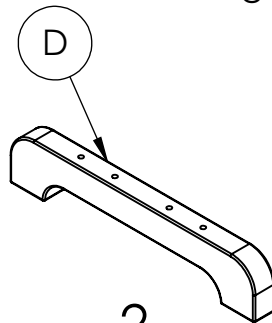
1
Table Top Assembly



2
Cross Braces



4
Table Legs

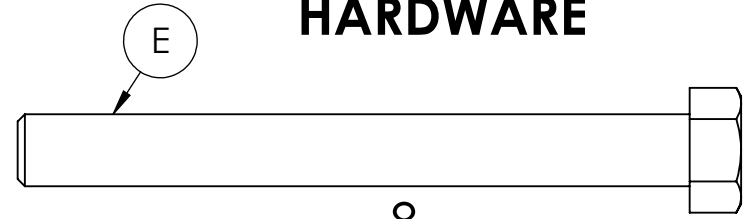


2
Table Foot

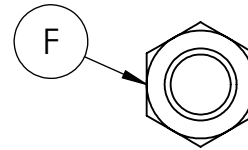
REQUIRED TOOLS (NOT INCLUDED)

- POWER DRILL
- #2 SQUARE DRIVE
- (2) 9/16 WRENCH OR SOCKET

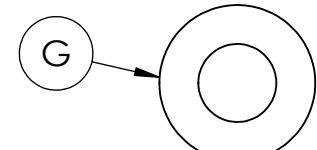
HARDWARE



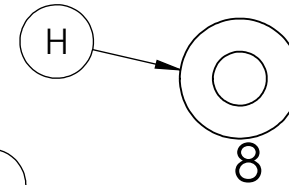
8
3/8" x 3.5" Hex Head Bolts



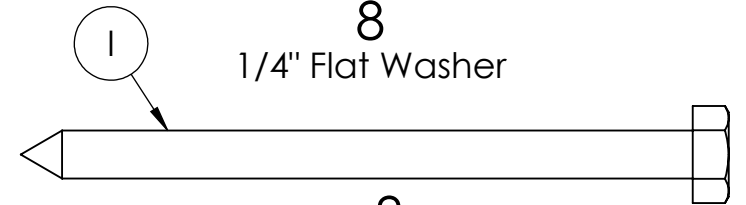
8
3/8" Hex Nuts



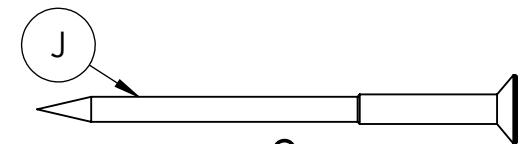
16
3/8" Flat Washer



8
1/4" Flat Washer



8
1/4" x 3.5" Lag Screw



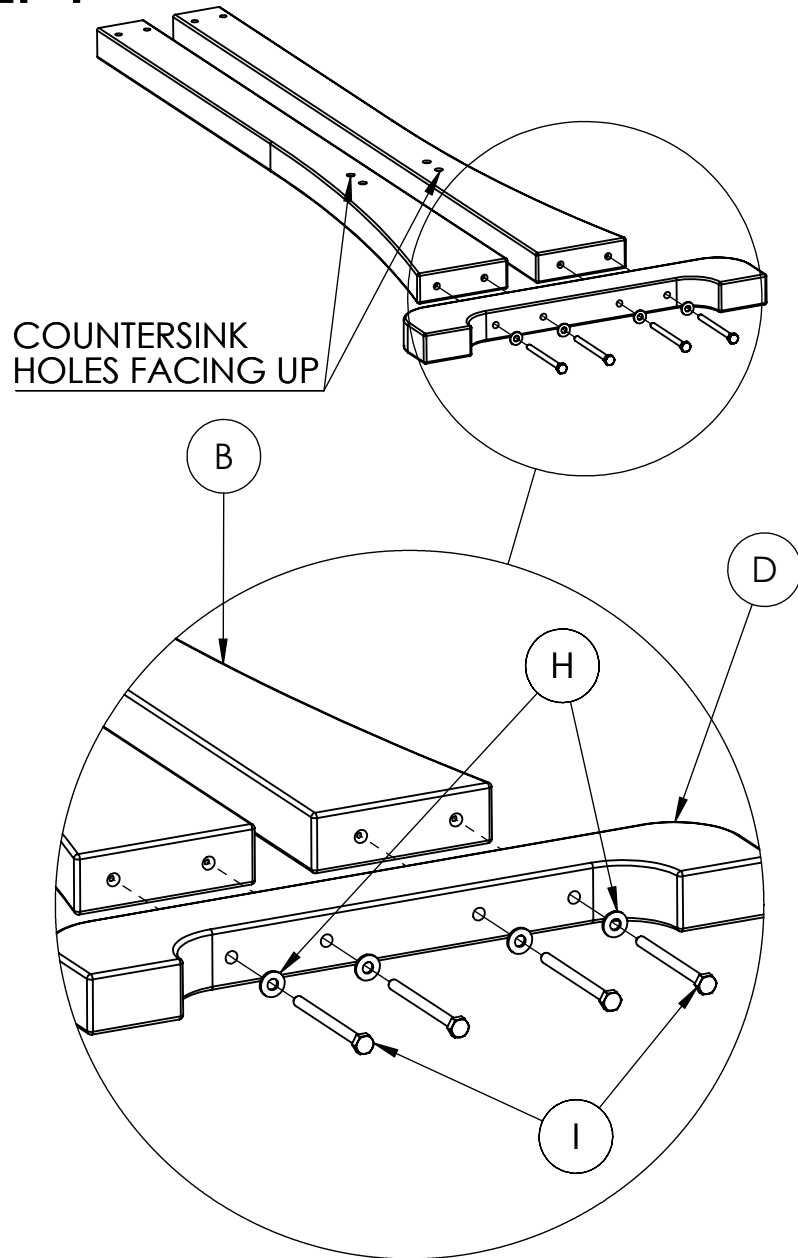
8
#10 x 2.5 Flat Head Screw

**HARDWARE &
TOOLS REQUIRED
FOR ASSEMBLY**

2/5

TABLE INSTRUCTIONS

STEP 1



STEP 2

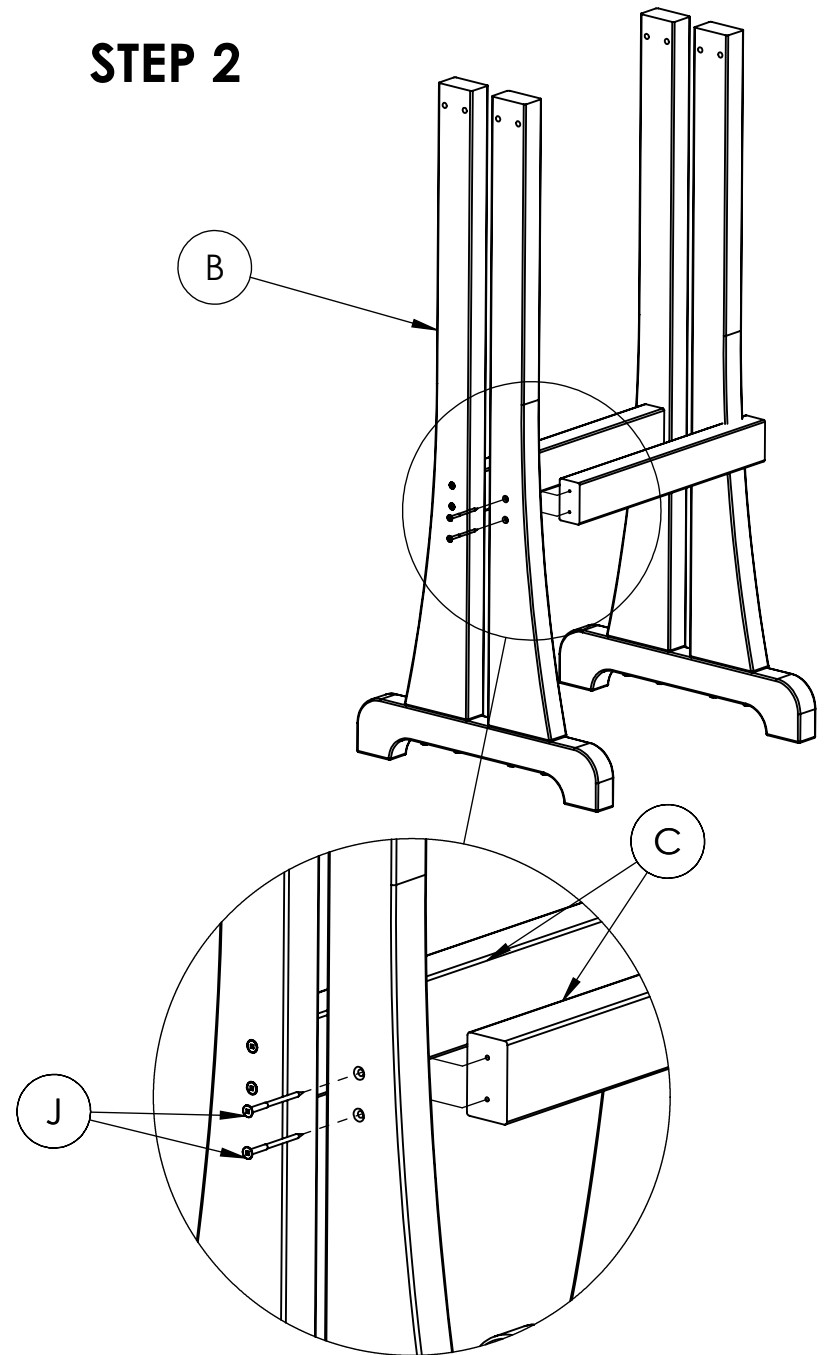


TABLE INSTRUCTIONS

STEP 3

- Attach leg assembly with table upside down - **leave bolts loose.**
- Flip table right side up then fully tighten all bolts.

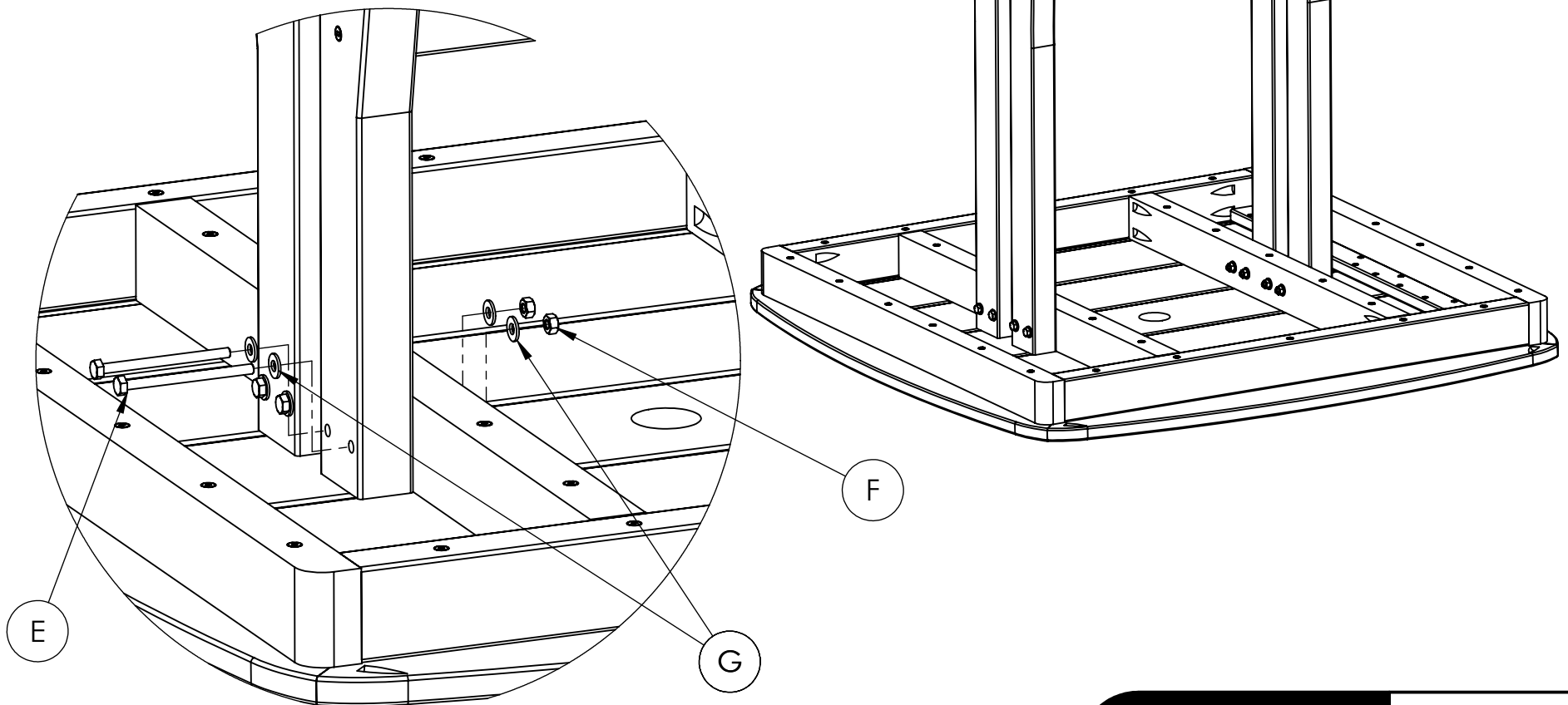
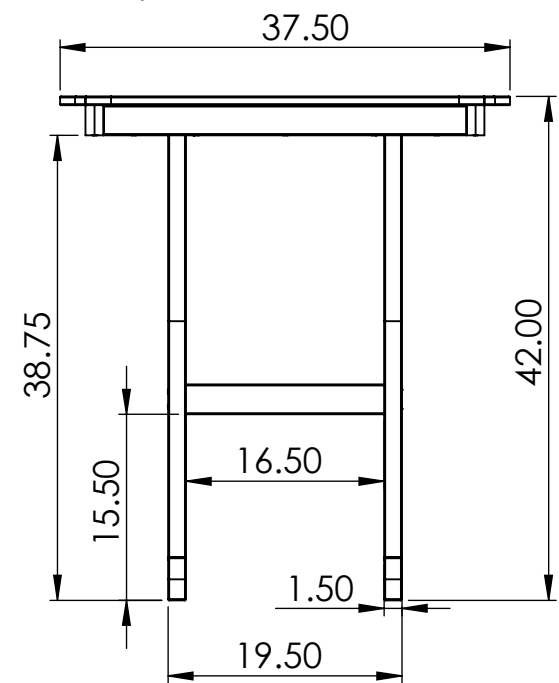
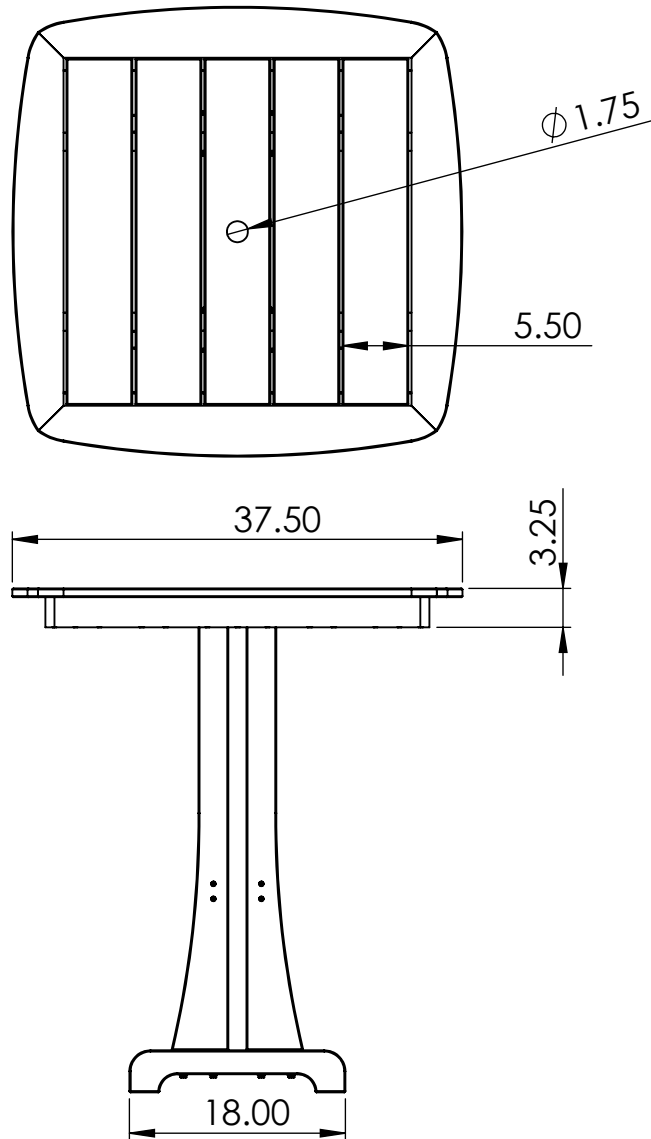


TABLE SPECIFICATIONS

CF1245 REV# 2
7-12-2017



CONSTRUCTION MATERIALS:
Recycled Plastic
HARDWARE:
Stainless Steel

ALL DIMENSIONS SHOWN IN INCHES