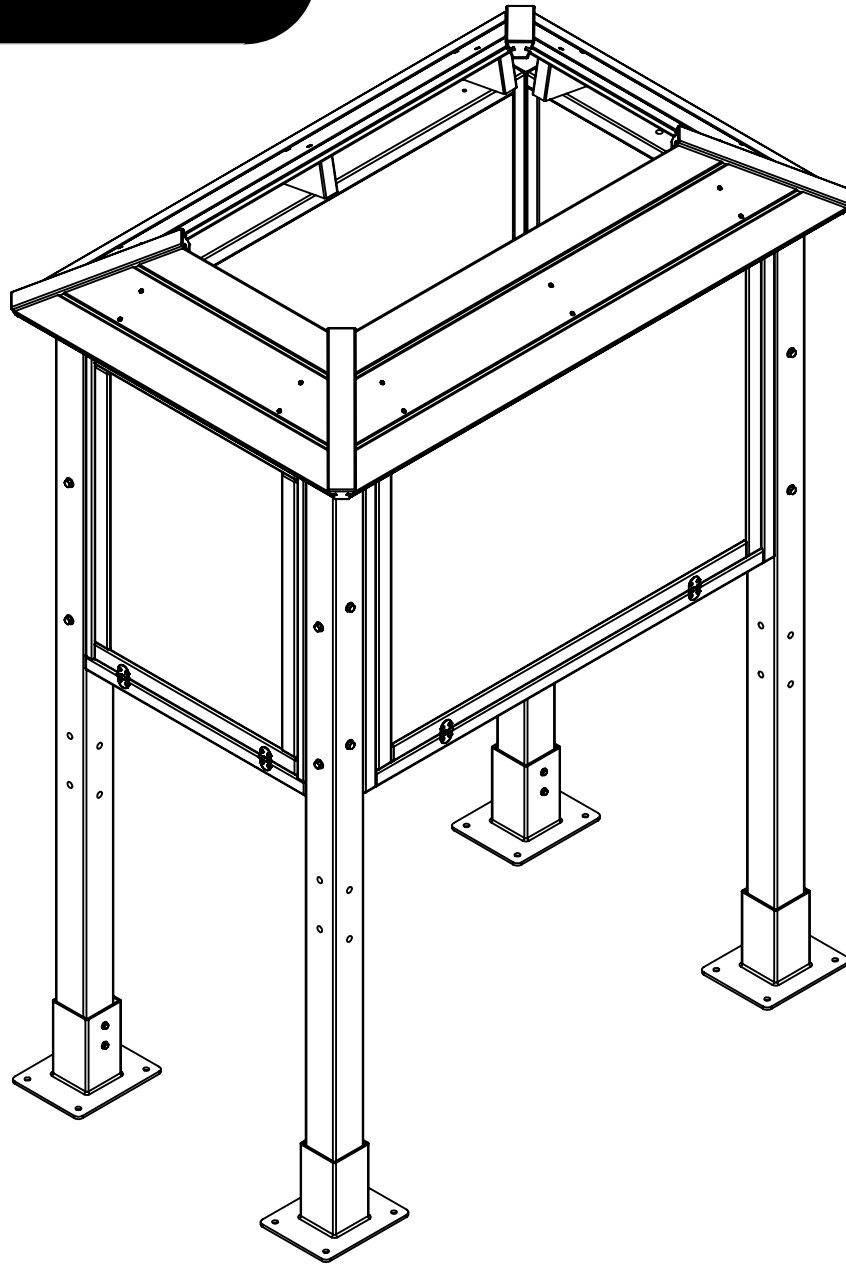
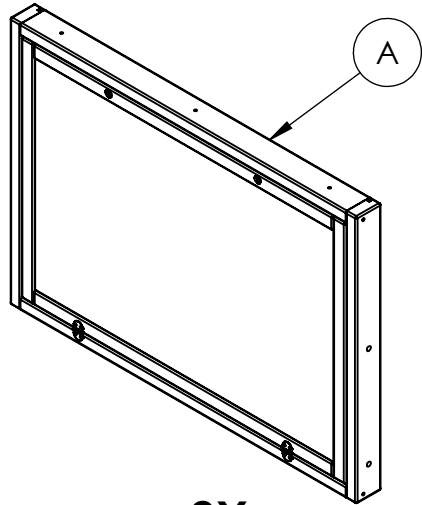


# FOUR SIDED KIOSK SURFACE MOUNT INSTRUCTIONS

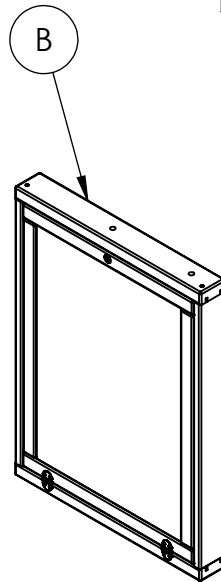


# FOUR SIDED KIOSK SURFACE MOUNT INSTRUCTIONS



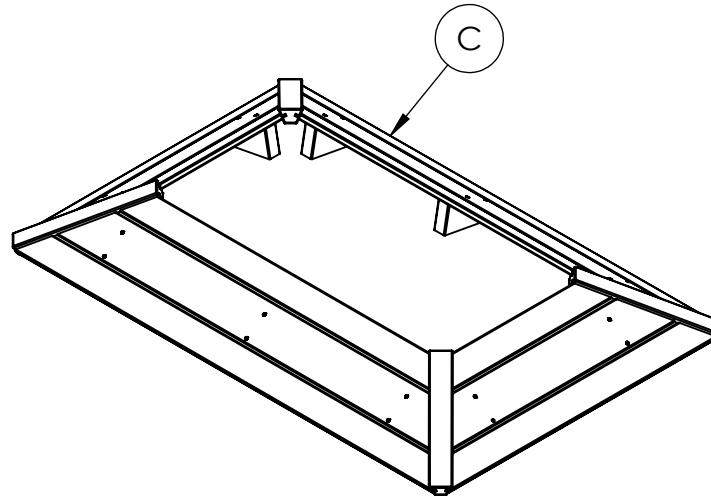
**2X**

Large Horizontal Message Center  
AMC-A0049



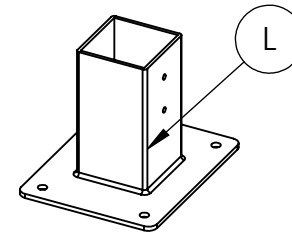
**2X**

Medium Vertical Message Center  
AMC-A0046



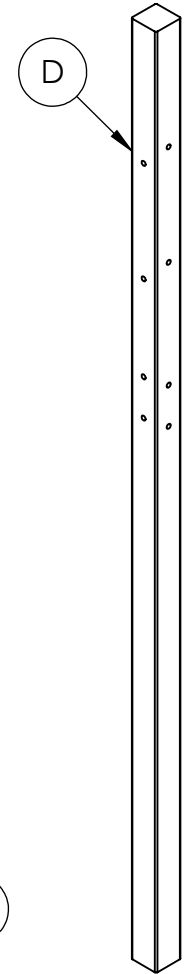
**1X**

Roof Assembly  
AMC-A0081



**4X**

SURFACE MOUNT  
AMC-9185



**4X**

Posts  
(Holes for literature  
rack also shown)  
AMC-P0249

## REQUIRED TOOLS (NOT INCLUDED)

- 1 - 7/16" SOCKET
- 1 - 9/16" WRENCH
- 1 - 9/16" SOCKET
- 1 - SCREW GUN
- 1 - LEVEL

## OTHER REQUIRED MATERIALS FOR INGROUND MOUNTING (NOT INCLUDED)

- 2 - 80lb BAG OF SAKCRETE
- 1 - POST HOLE DIGGER
- GUIDE WIRES
- A FRIEND TO HELP

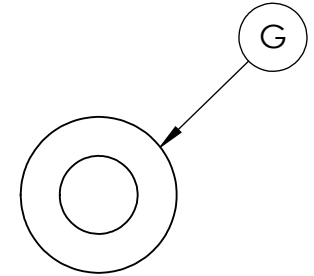
**COMPONENTS &  
TOOLS REQUIRED  
FOR ASSEMBLY**

**1/7**

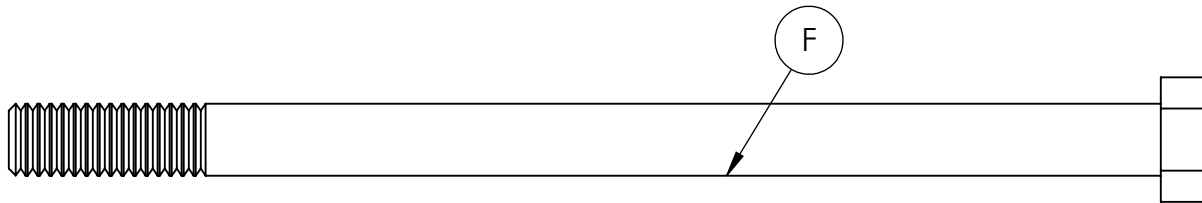
# FOUR SIDED KIOSK SURFACE MOUNT INSTRUCTIONS



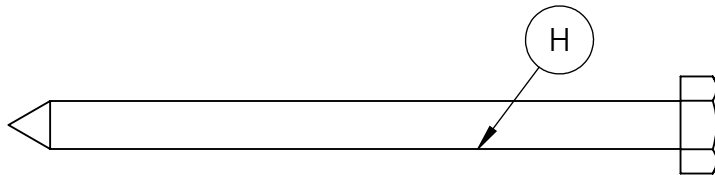
**8X**  
3/8" X 6.5" Hex Head Bolt



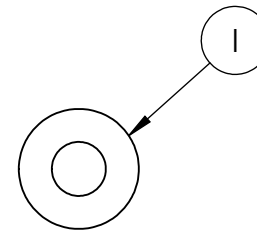
**32X**  
3/8" Flat Washer



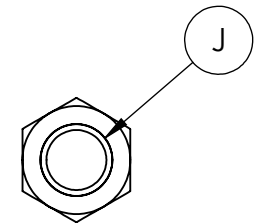
**8X**  
3/8" X 6" Hex Head Bolt



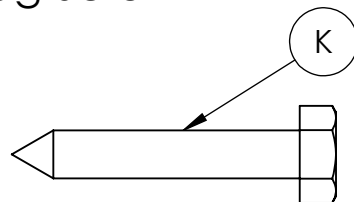
**10X**  
1/4" X 3-1/2" Lag Screw



**18X**  
1/4" Flat Washer



**16X**  
3/8" Hex Nut

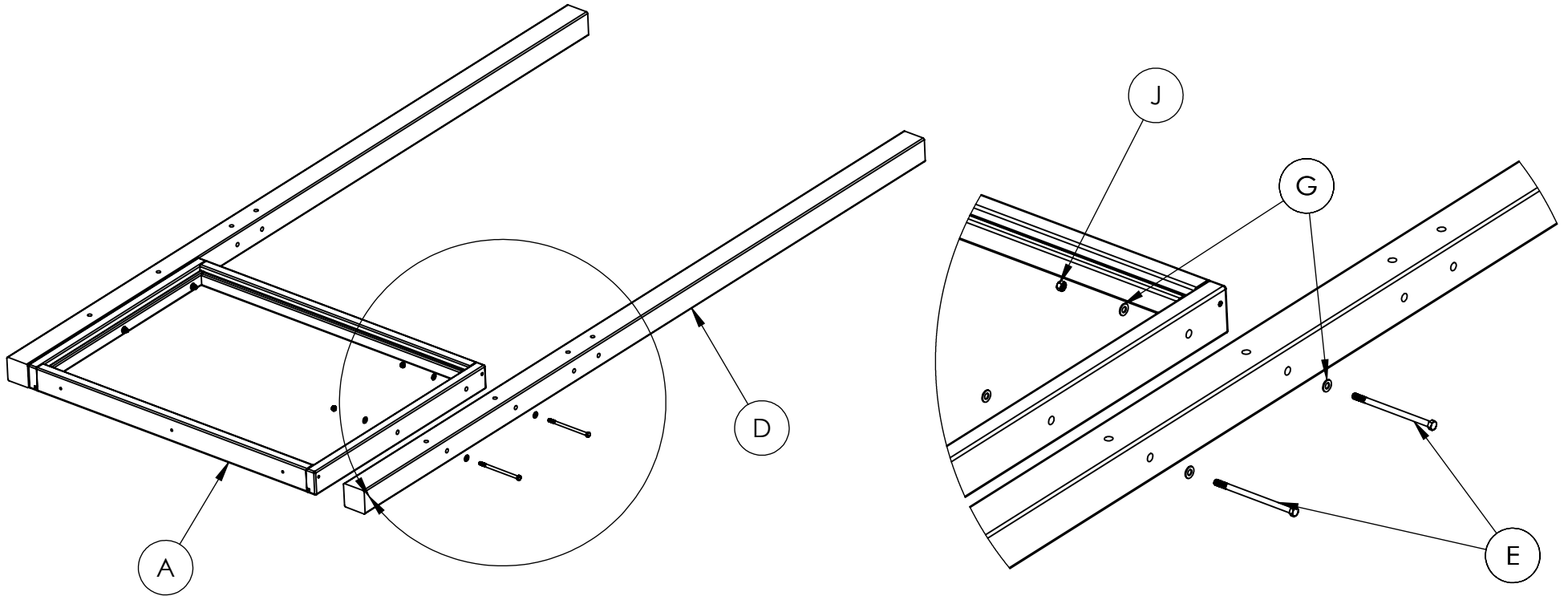


**8X**  
1/4" X 1-1/2" Lag Screw

# FOUR SIDED KIOSK SURFACE MOUNT INSTRUCTIONS

## STEP 1

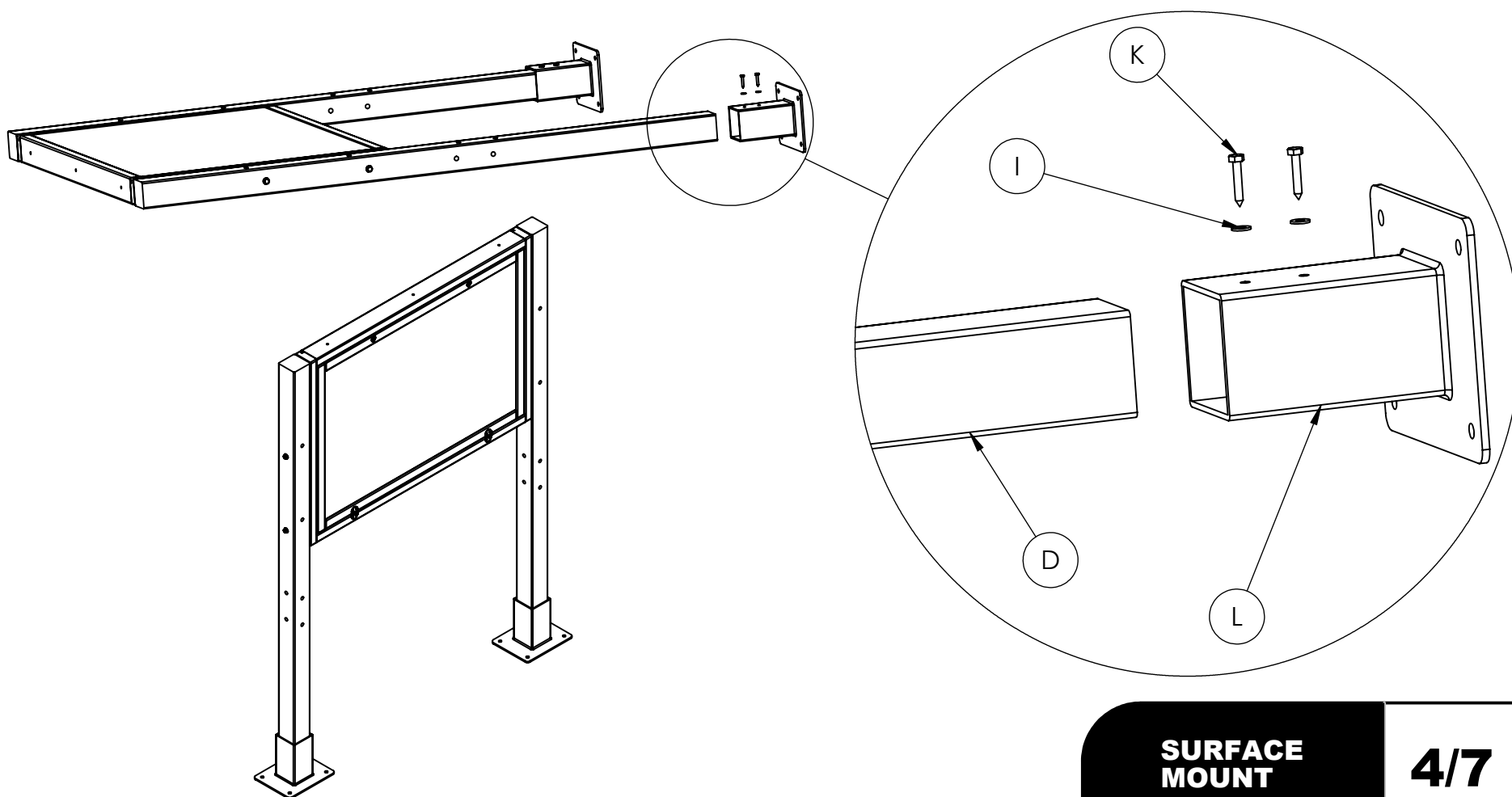
- Lay the horizontal message center (A) on the ground
- Put end post (D) on the side of message center (A) with holes lining up
- Insert (2) 6.5" hex head bolts (E) with washers (G) through the post and message center and secure on the inside of the message center with washers (G) and hex nuts (J)
- Repeat for the other post and the other horizontal message center (A)



# FOUR SIDED KIOSK SURFACE MOUNT INSTRUCTIONS

## STEP 2 SURFACE MOUNT

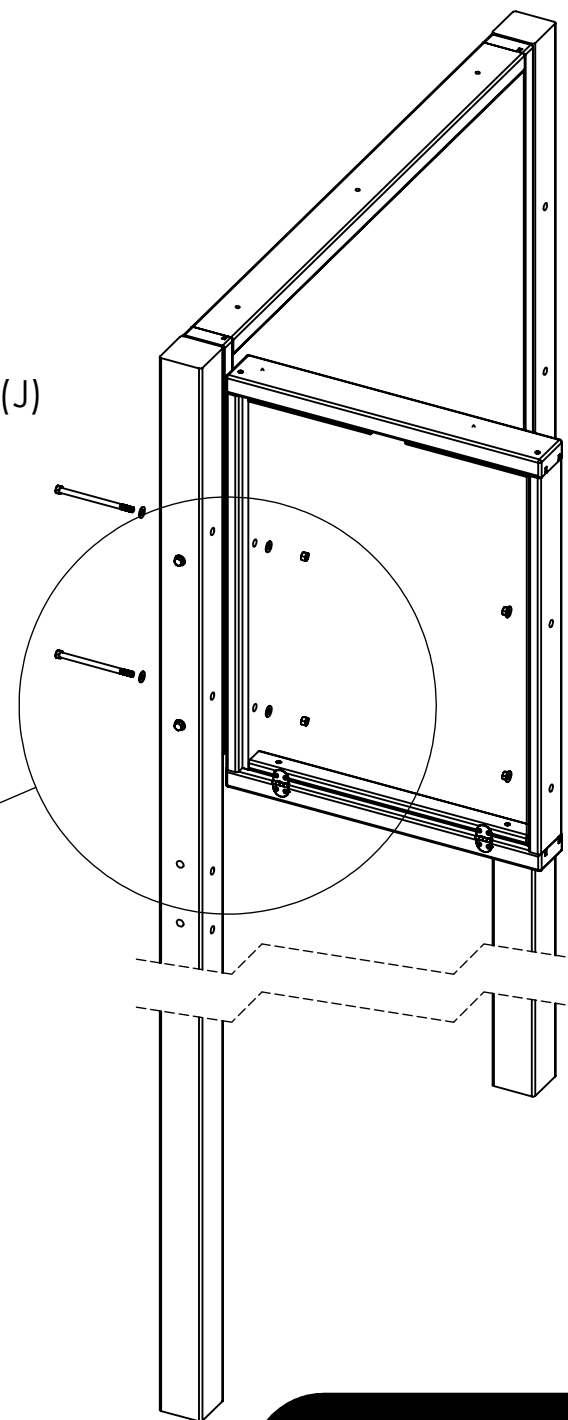
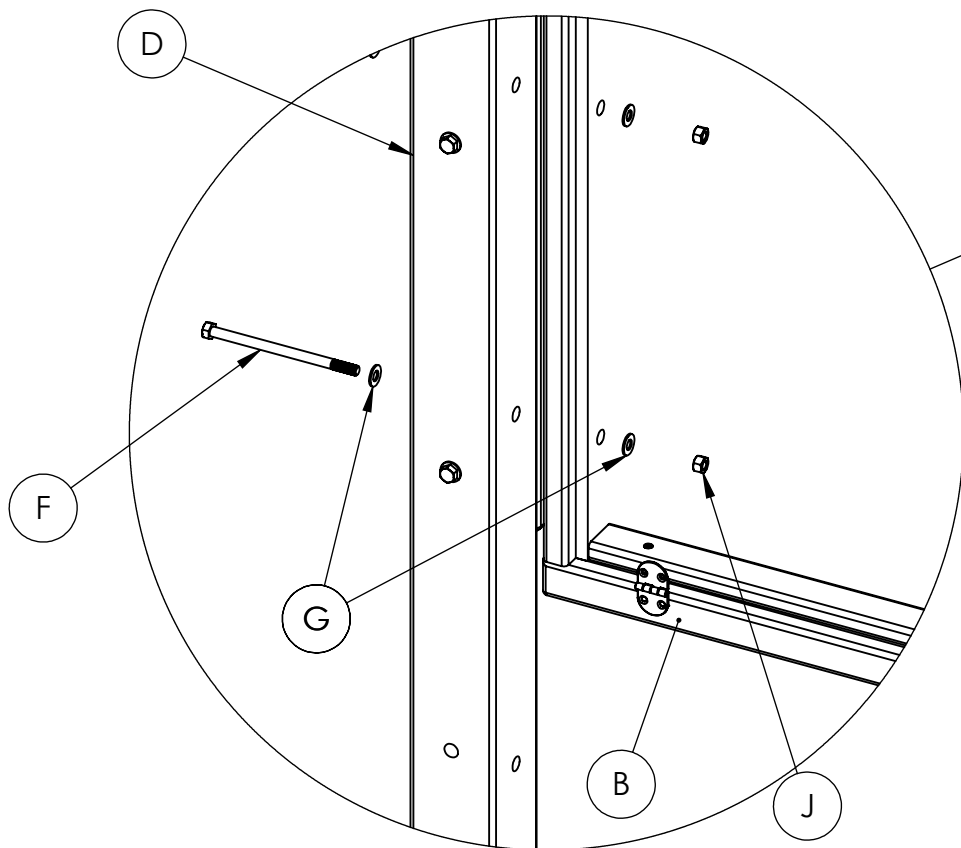
- Keep the message centers with the posts attached on the ground
- Put the surface mount bases (L) onto the post bottoms (D)
- Fasten with the 1-1/2" lag screw (K) and washer (I) thru surface mount base (L) and screw into post (D)
- Lift properly into standing position
- Secure **1** message center assembly with surface mount bases to ground in desired location



# FOUR SIDED KIOSK SURFACE MOUNT INSTRUCTIONS

## STEP 3

- With the help of another person, hold a vertical message center (B) up to the mounted horizontal assembly
- Secure the vertical message center to the post with (2) 6" hex head bolts (F) with washers (G) and (2) hex nuts (J) with washers (G)



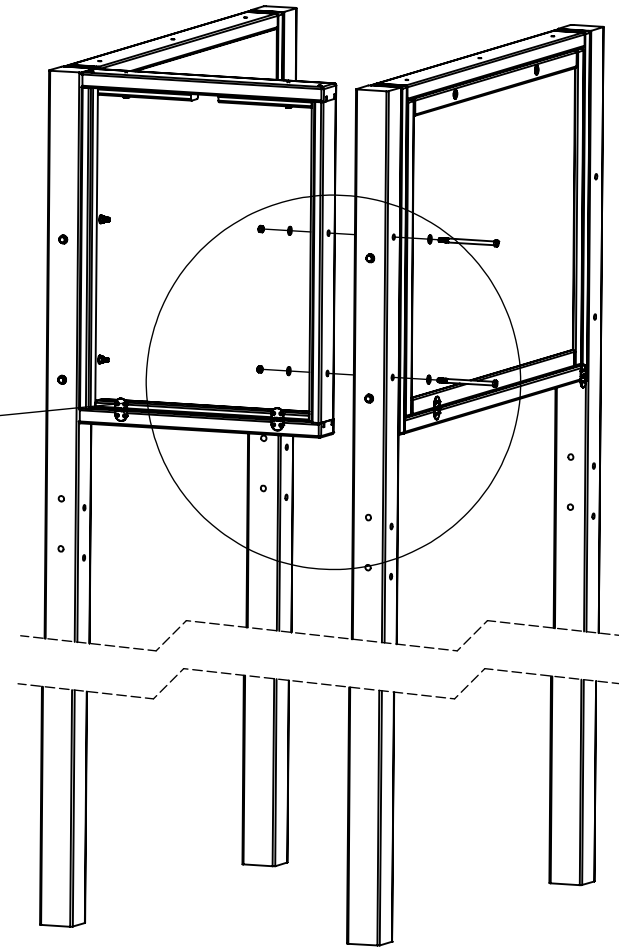
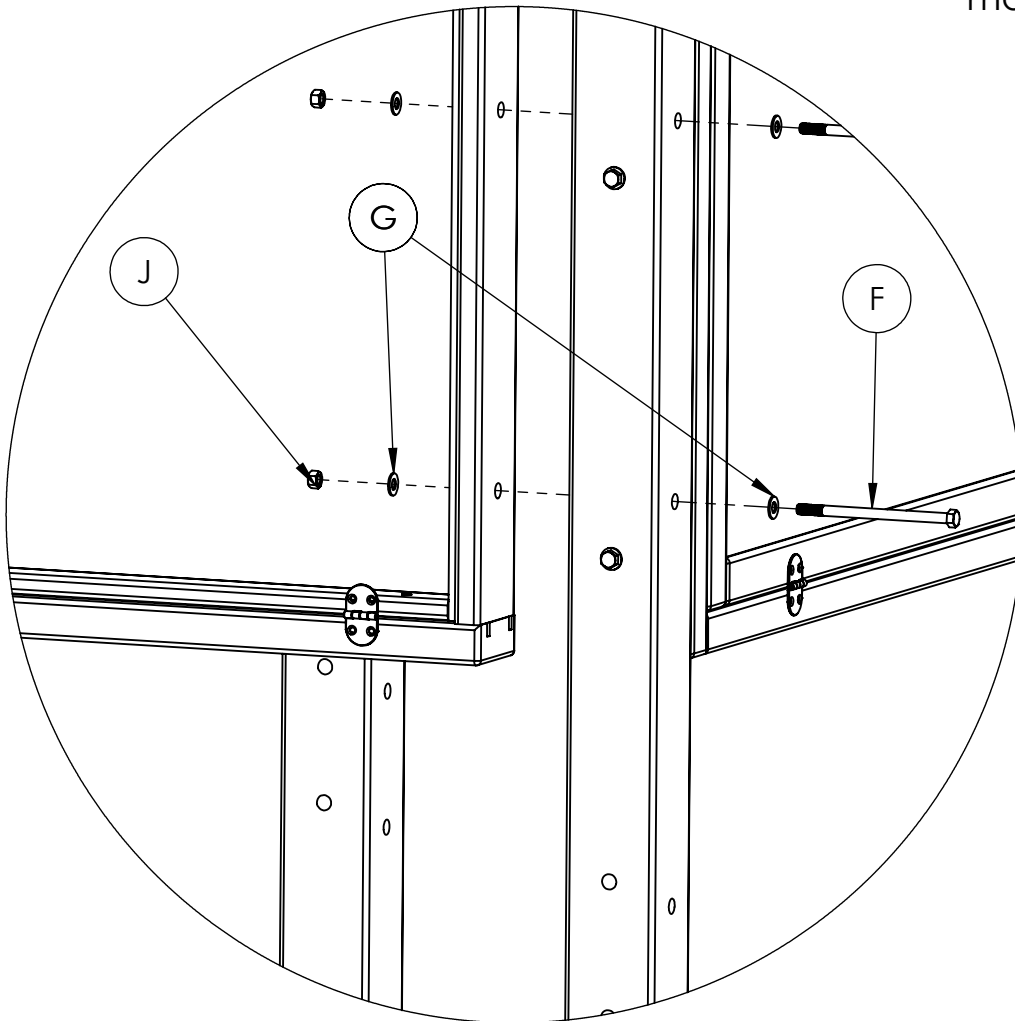
**ATTACH VERTICAL  
MESSAGE CENTER**

**5/7**

# FOUR SIDED KIOSK SURFACE MOUNT INSTRUCTIONS

## STEP 4

- Lift the other horizontal message center assembly upright
- Secure the horizontal message center assembly to the vertical message center with (2) 6" hex head bolts (F) with washers (G) and (2) hex nuts (J) with washers (G)
- Repeat Step 3 for the remaining vertical message center
- Square the assembly and secure the remaining surface mount bases to the ground



**ATTACH  
HORIZONTAL  
MESSAGE CENTER**

**6/7**

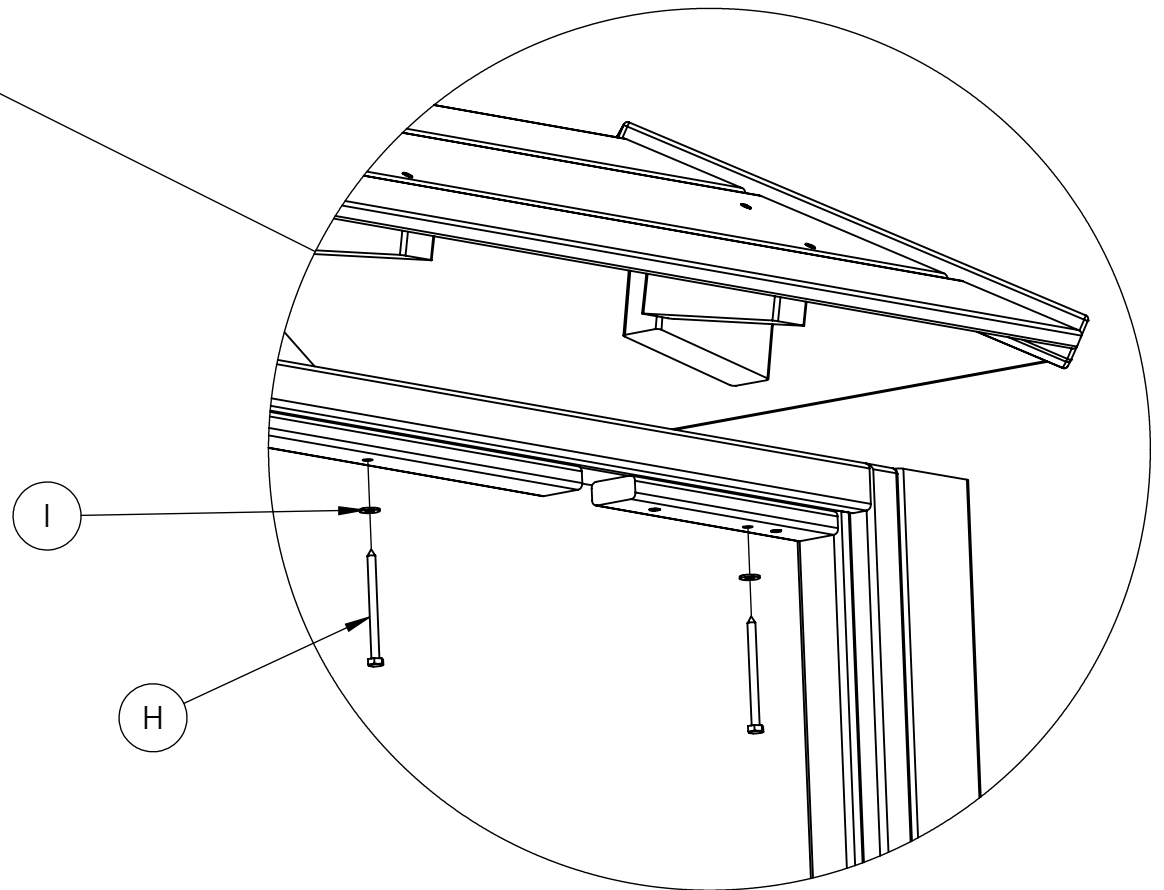
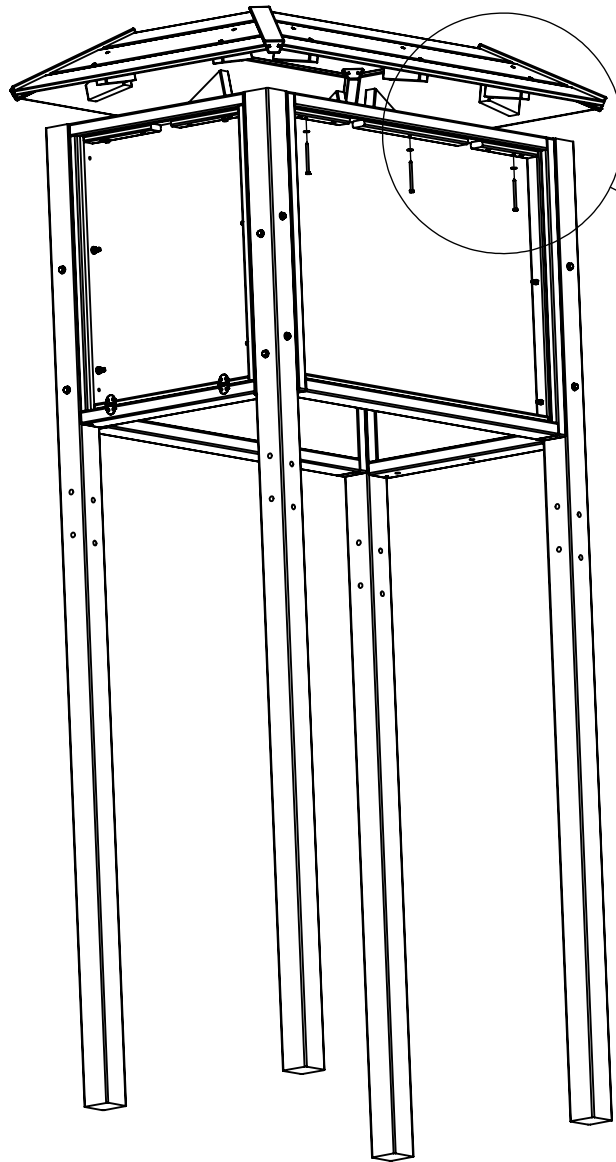
# FOUR SIDED KIOSK SURFACE MOUNT INSTRUCTIONS

## STEP 5

- Place roof assembly (C) on top of message center assembly
- Secure with (10) 3-1/2" lag screws (H) and flat washers (I)

## STEP 6-Remove Glass Covering

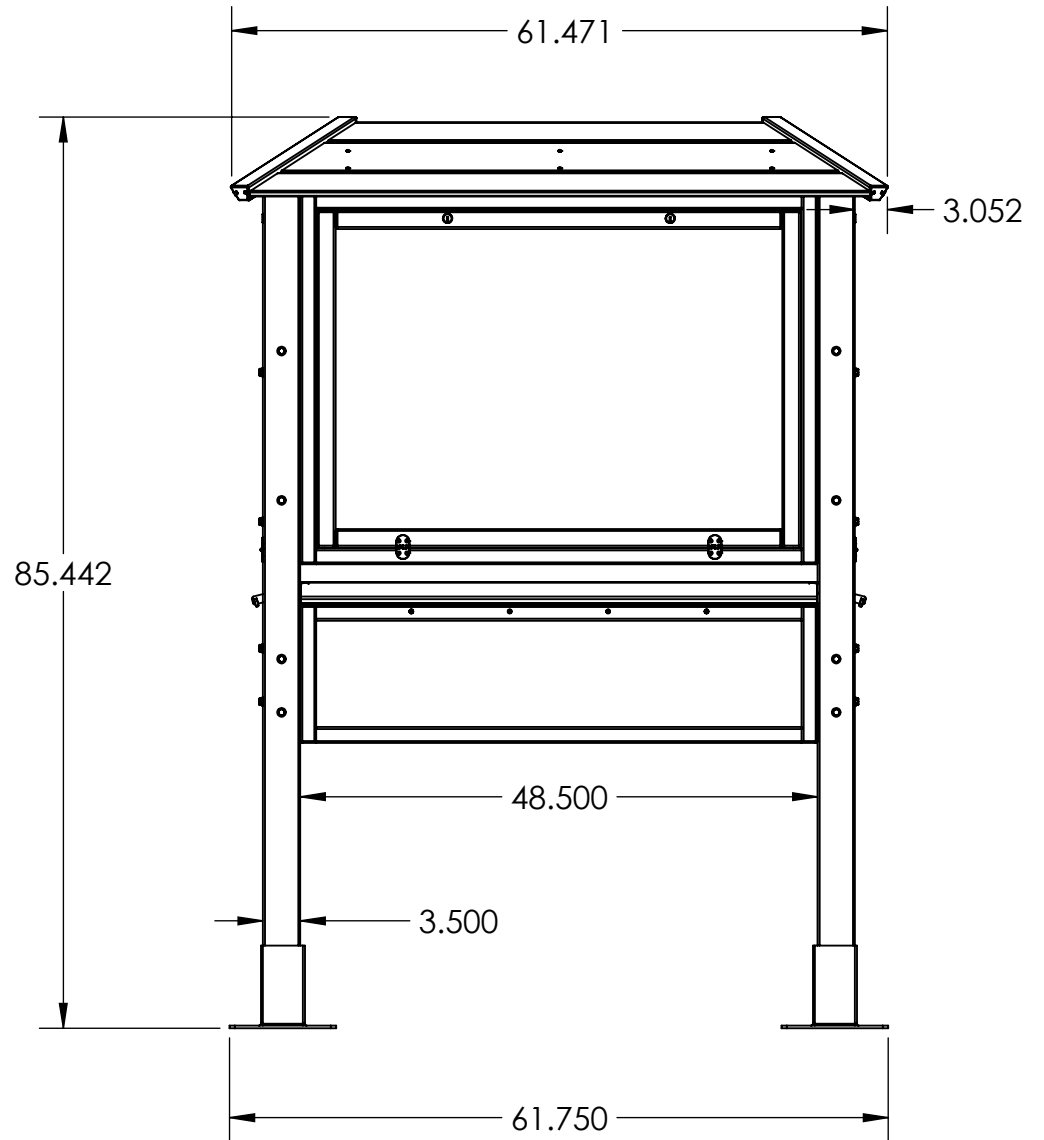
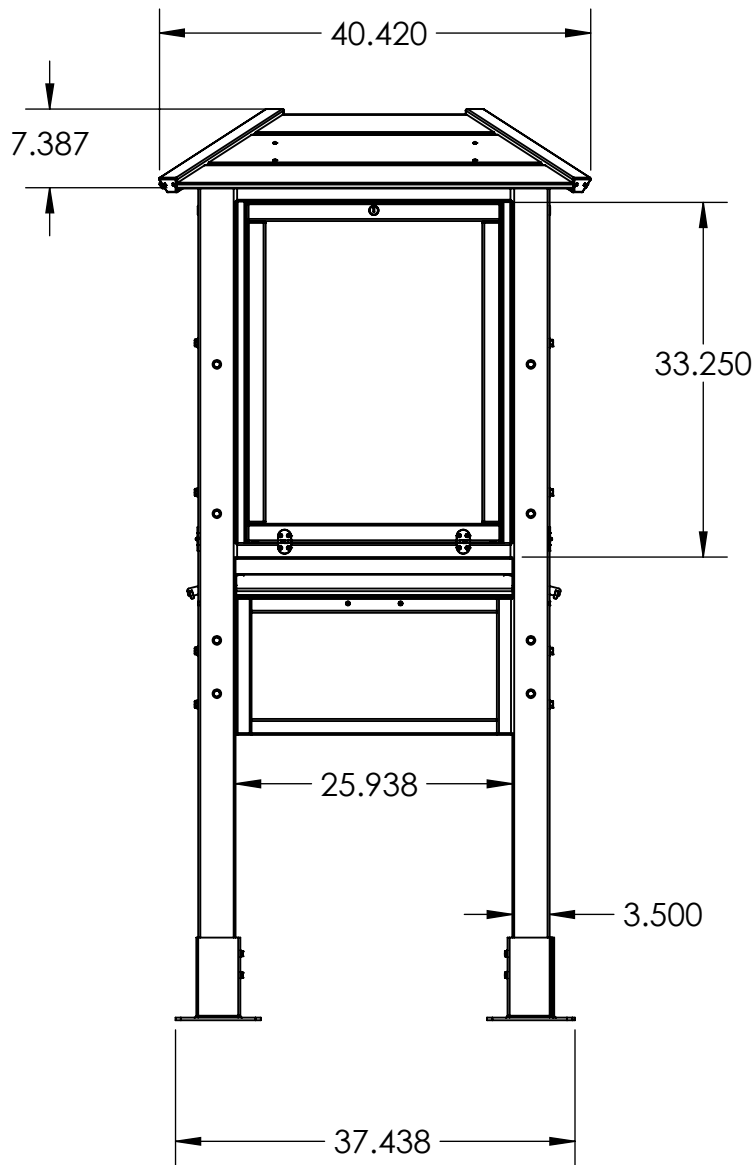
- To remove protective covering from glass, take a razor blade and trace along the frame cutting the covering
- In a corner peel back covering using the point of the blade
- Pull covering off of glass
- Repeat for other side of glass



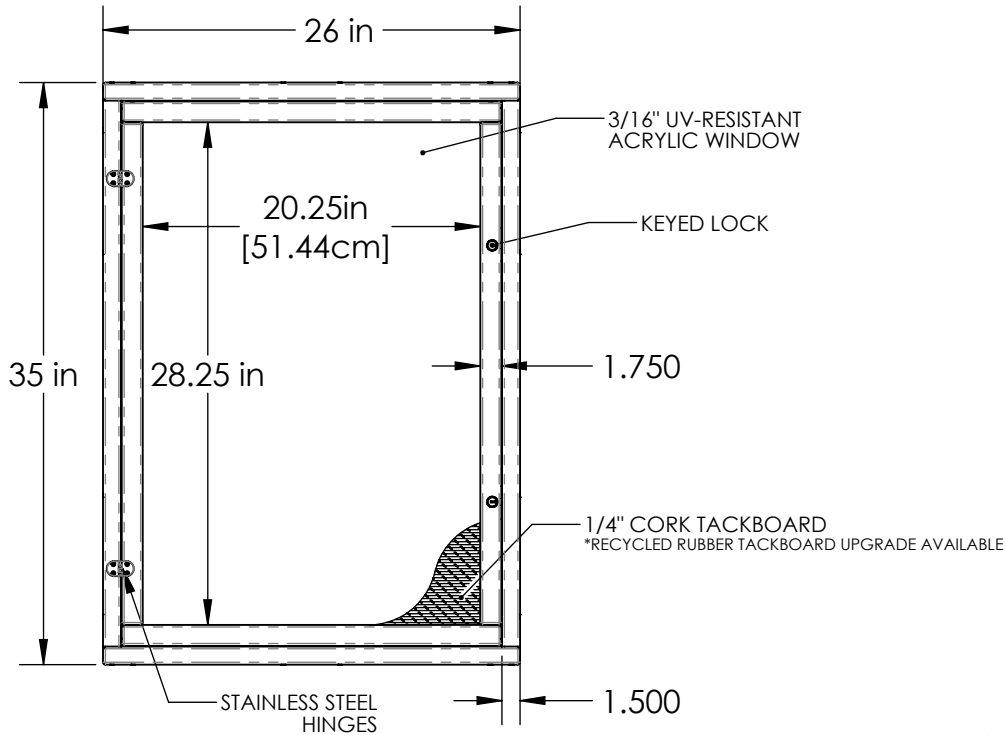


# FOUR SIDED KIOSK SURFACE MOUNT

ALL DIMENSIONS ARE SHOWN IN INCHES

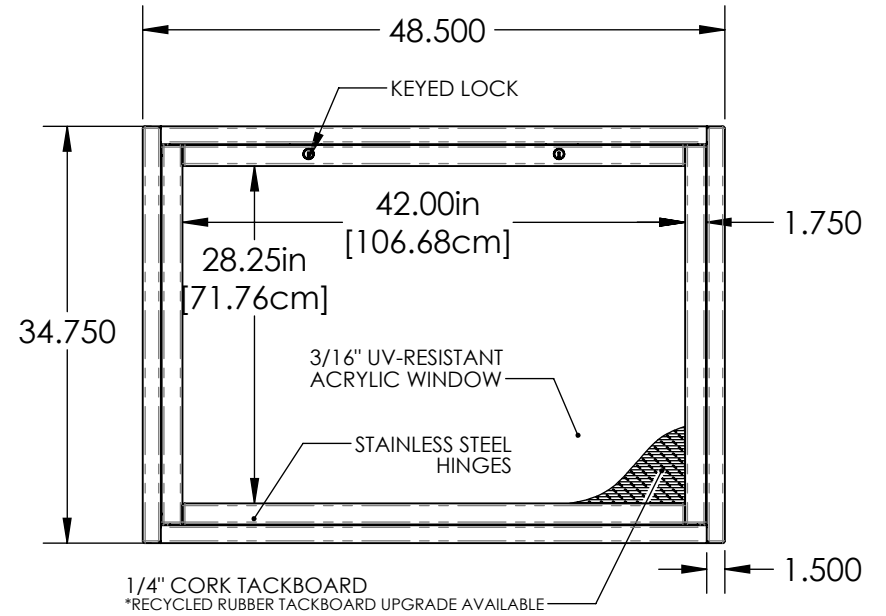


# FOUR SIDED KIOSK SURFACE MOUNT



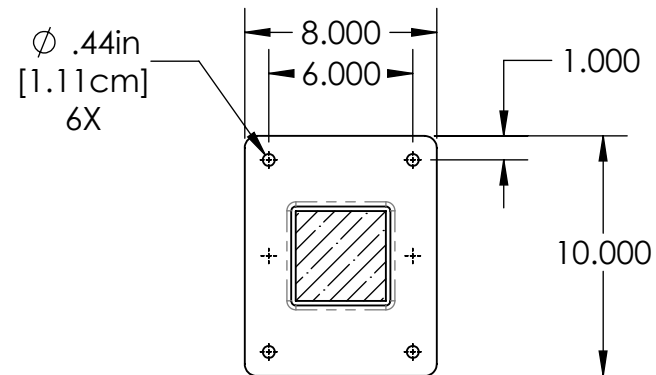
MESSAGE CENTER DETAILS

1



MESSAGE CENTER DETAILS

2



MOUNTING DETAILS

3

ALL DIMENSIONS ARE SHOWN IN INCHES

HARDWARE: STAINLESS STEEL  
MATERIAL: RECYCLED PLASTIC, ACRYLIC, 1/4" CORK