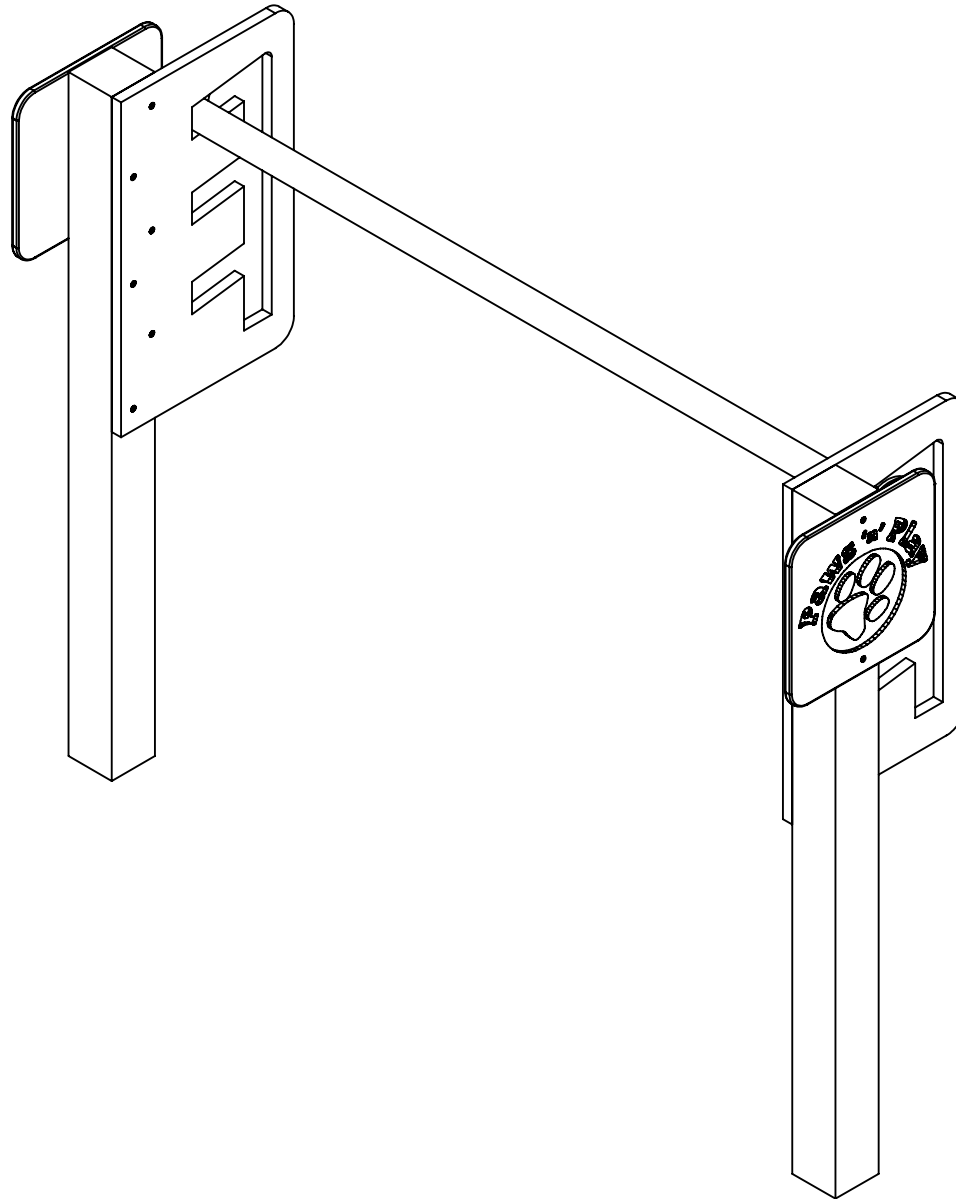
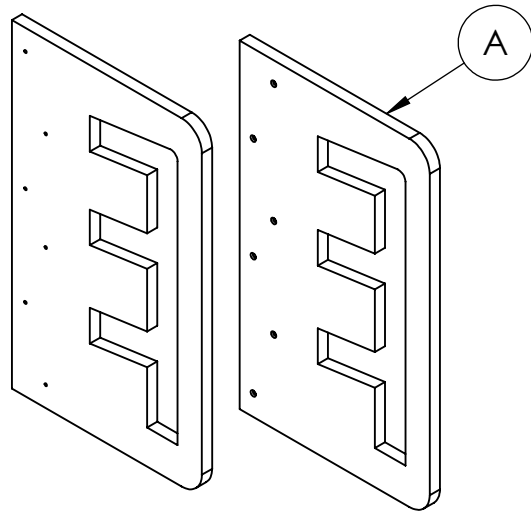


INSTRUCTIONS

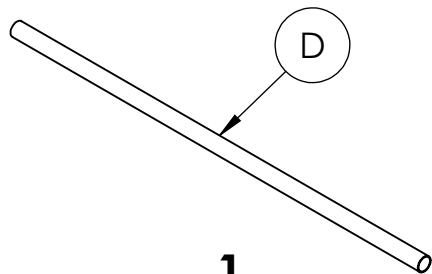
ADP3100 REV# 1



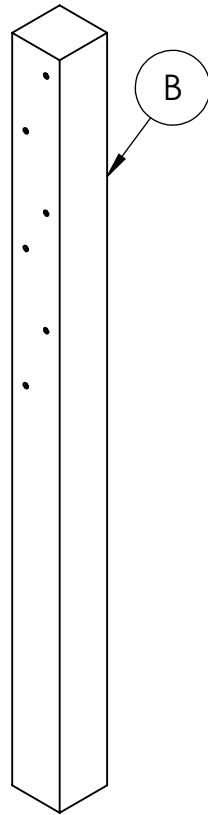
INSTRUCTIONS



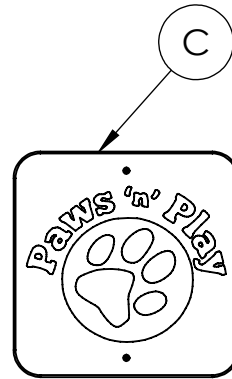
2
BRACKETS



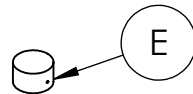
1
JUMP BAR



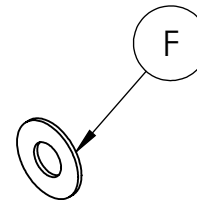
2
POST



2
SIGNS

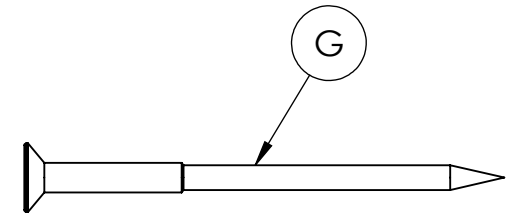


2
END CAPS

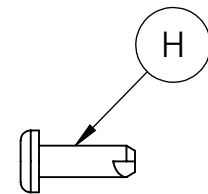


2
STOPS

HARDWARE



16
#10 x 2.5"
FLAT HEAD SCREW



4
PAN HEAD SCREWS

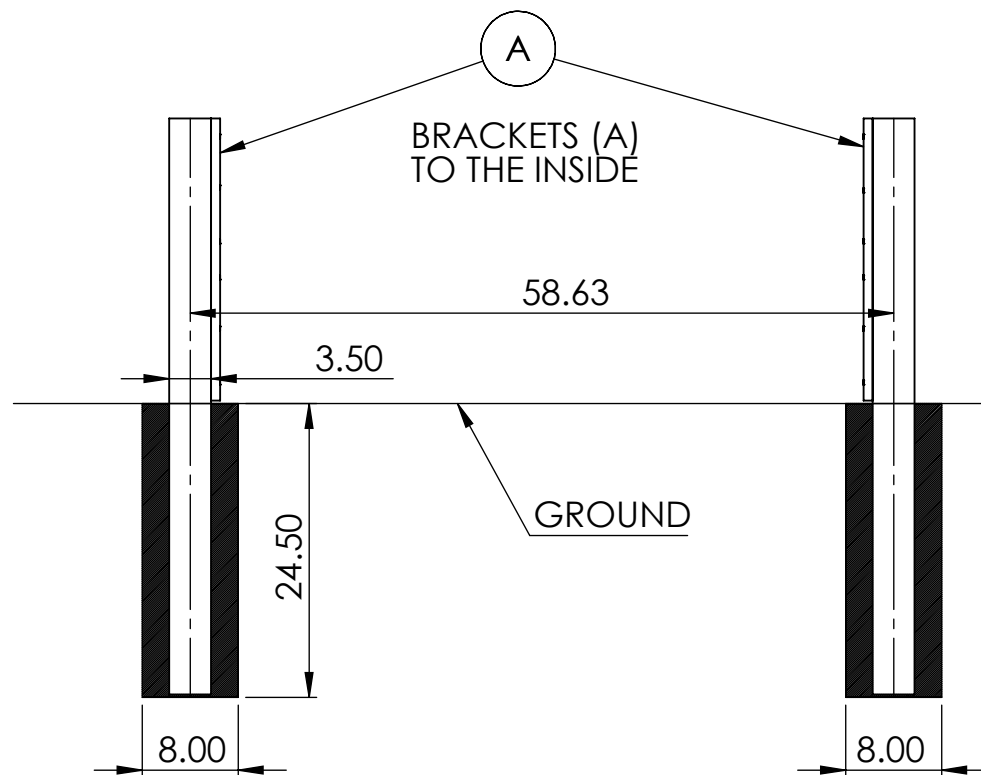
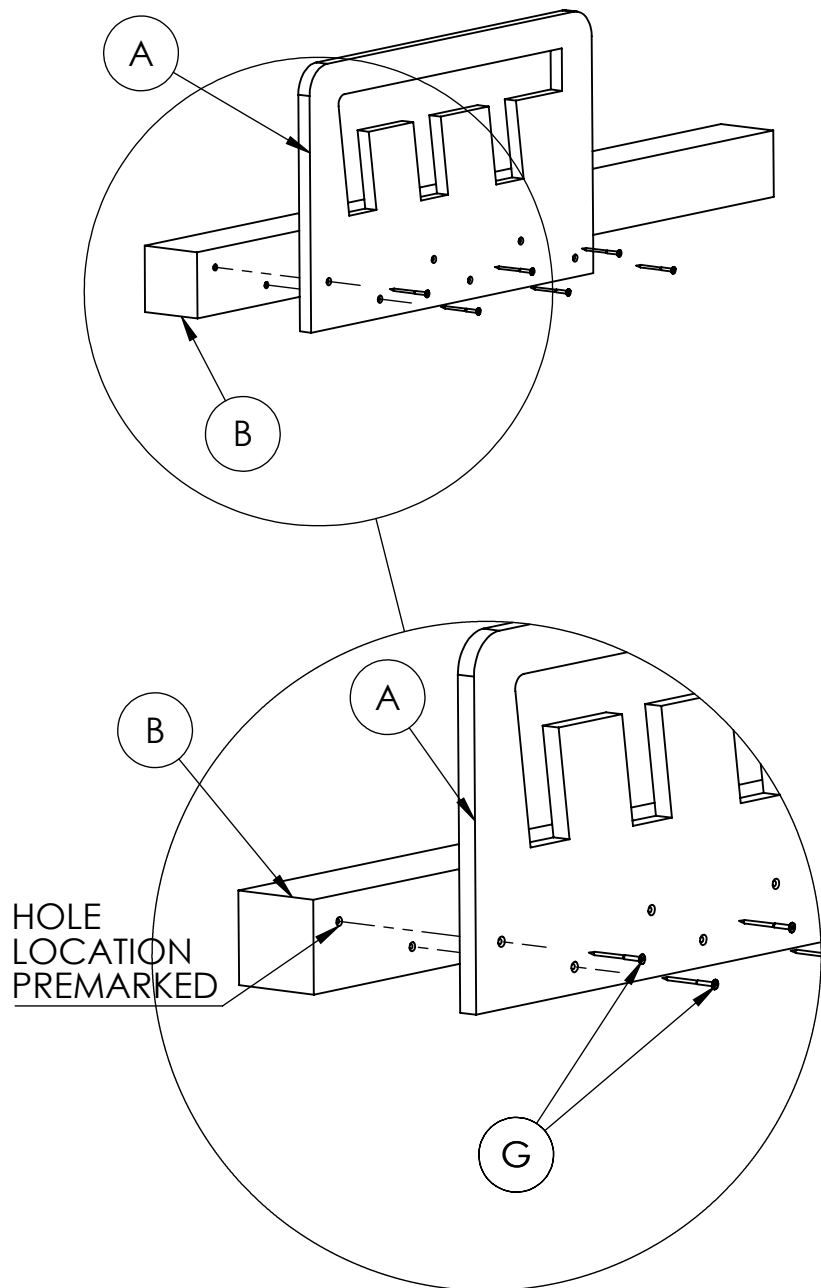
REQUIRED TOOLS (NOT INCLUDED)

- POWER DRILL
- #2 SQUARE DRIVE

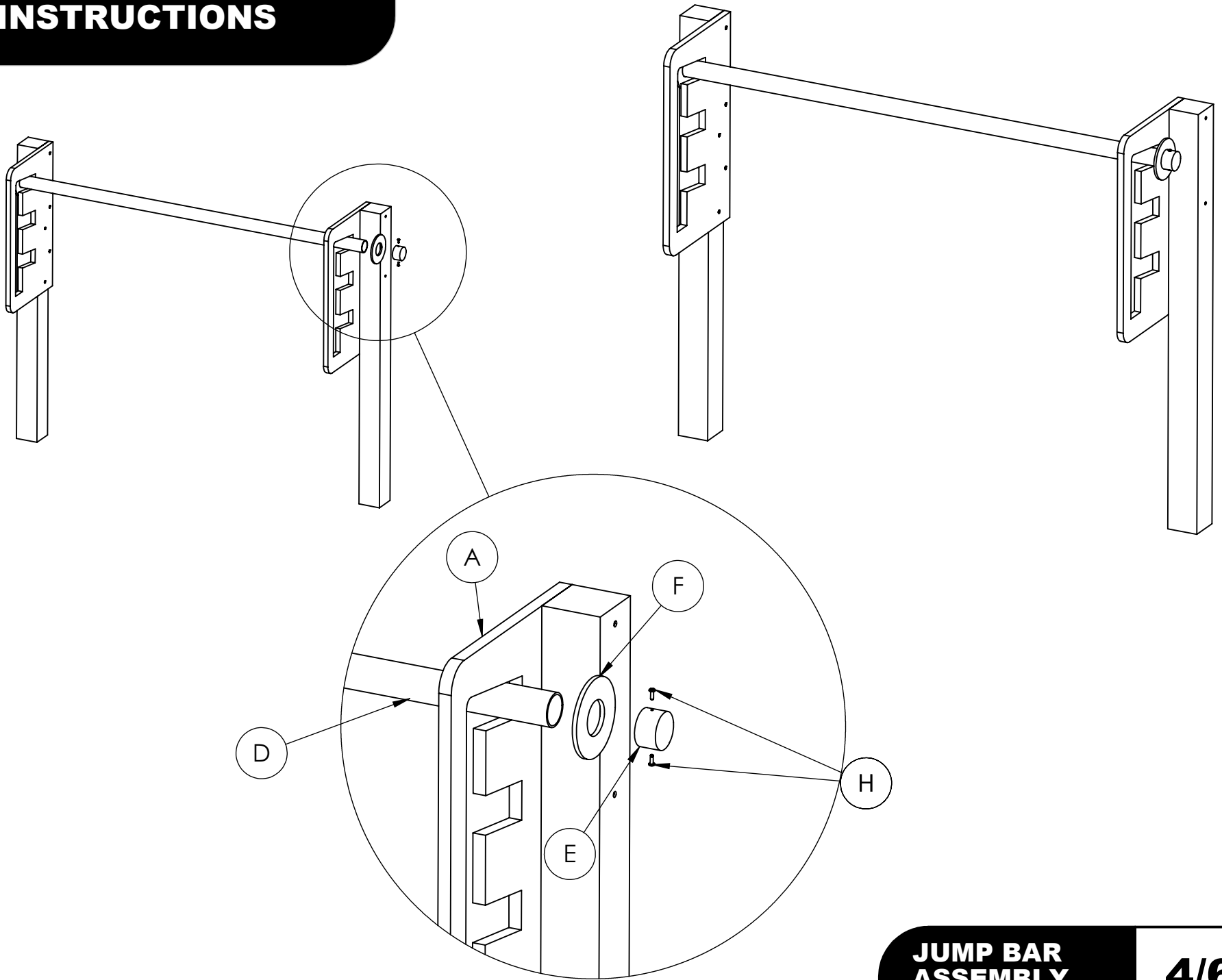
**HARDWARE &
TOOLS REQUIRED
FOR ASSEMBLY**

2/6

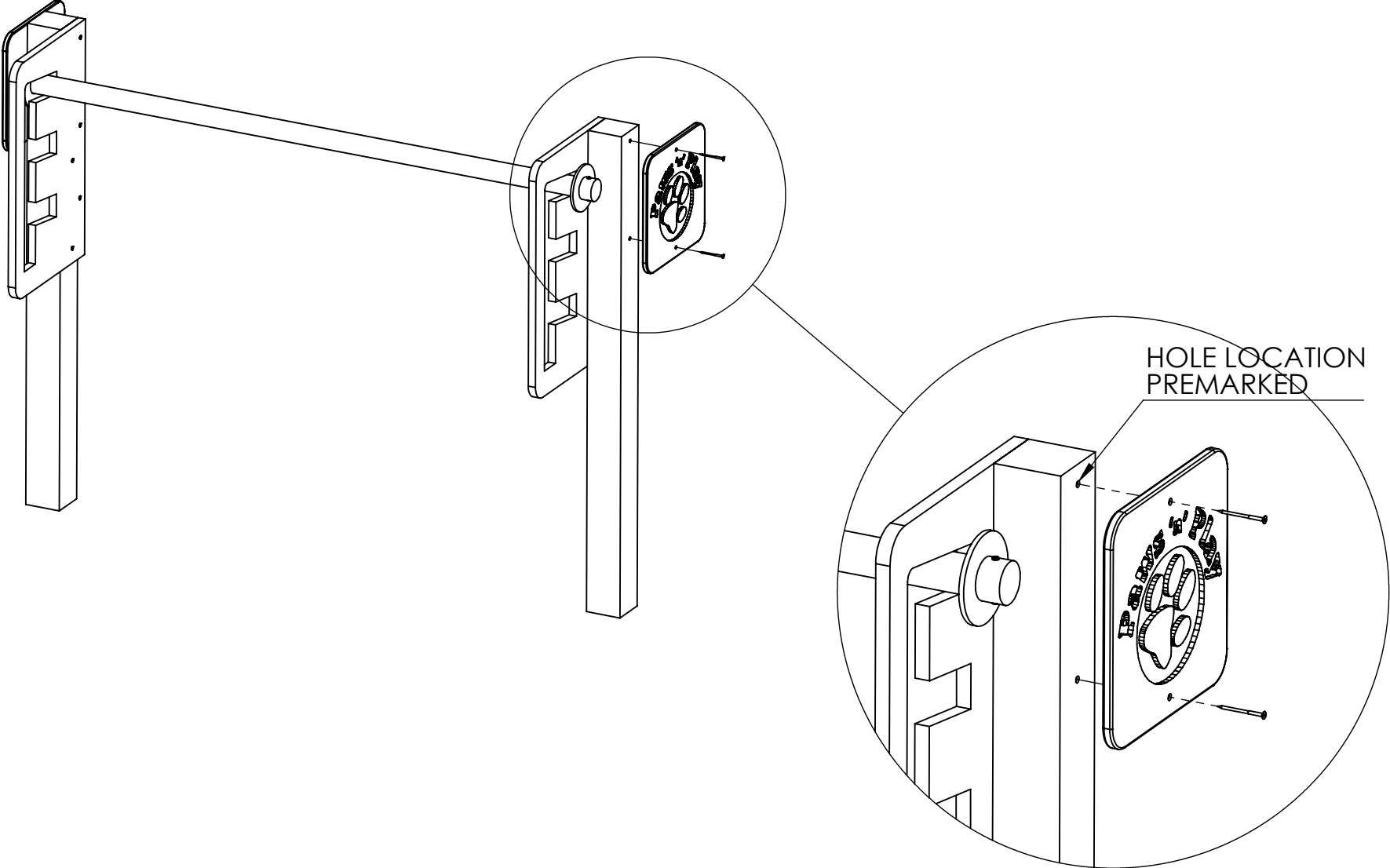
INSTRUCTIONS



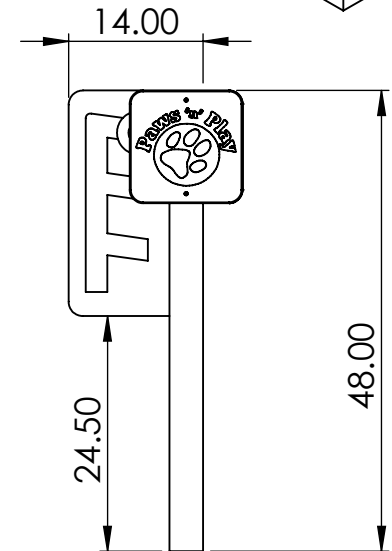
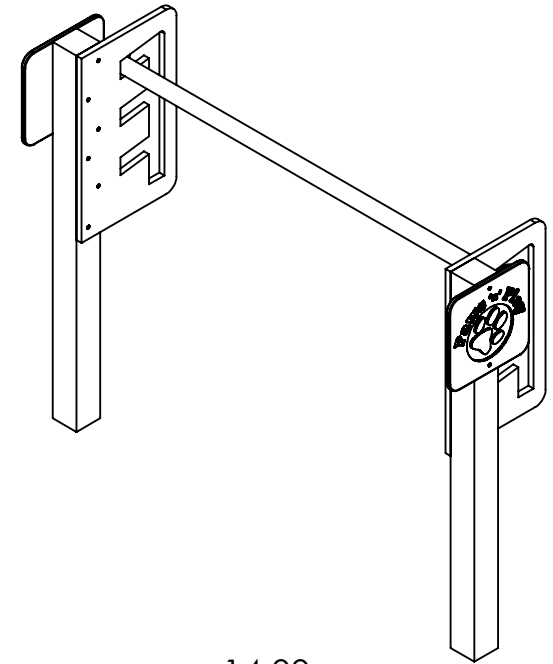
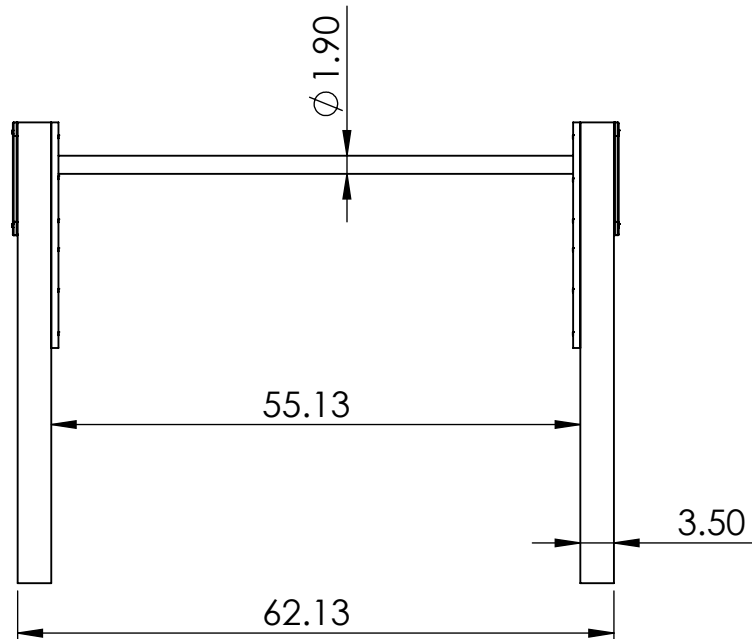
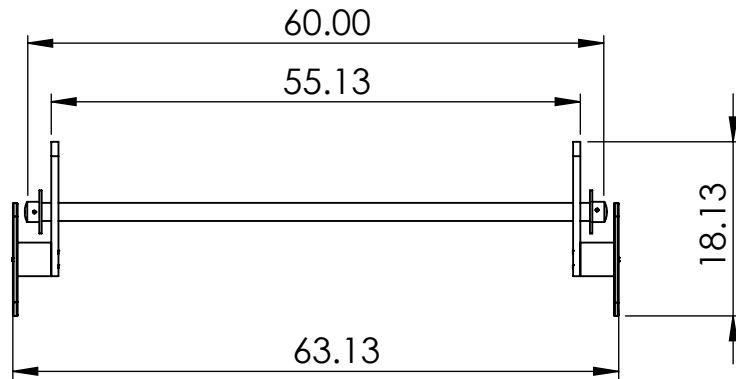
INSTRUCTIONS



INSTRUCTIONS



SPECIFICATIONS



CONSTRUCTION MATERIALS:
Recycled Plastic
HARDWARE:
Stainless Steel

ALL DIMENSIONS SHOWN IN INCHES