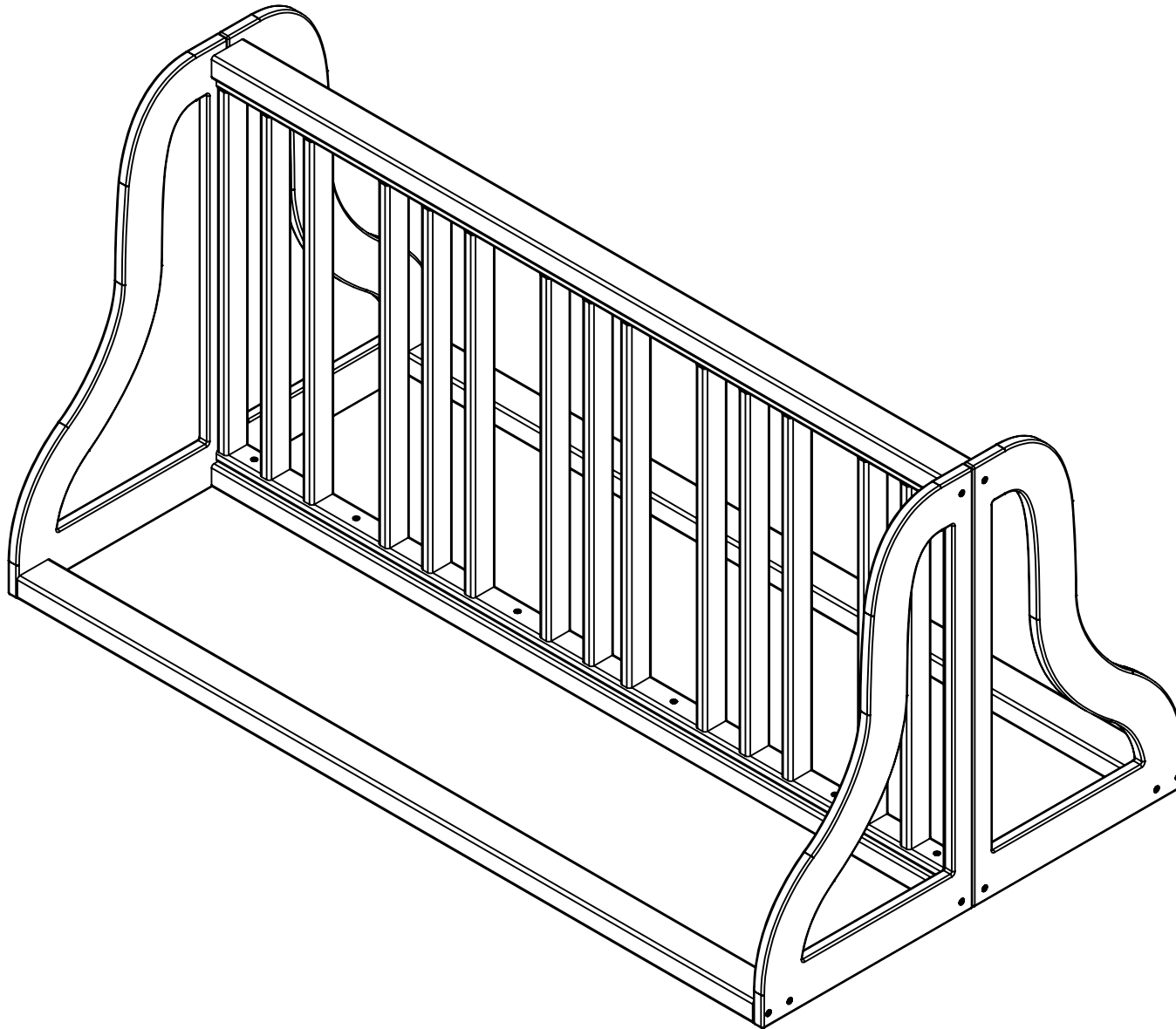
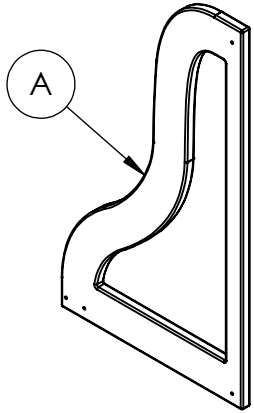


BIKE RACK ASSEMBLY INSTRUCTIONS

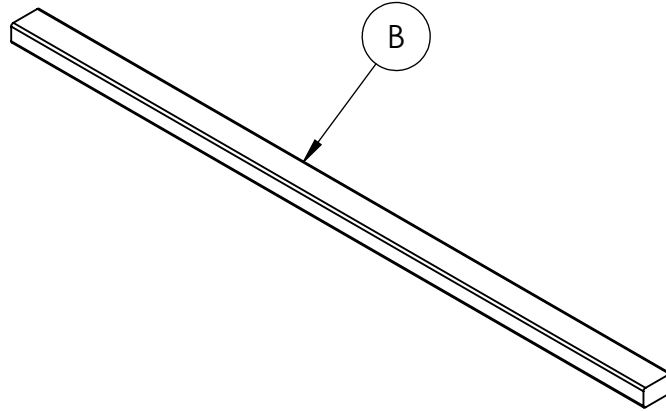
BK1030 REV# 1
BK1035



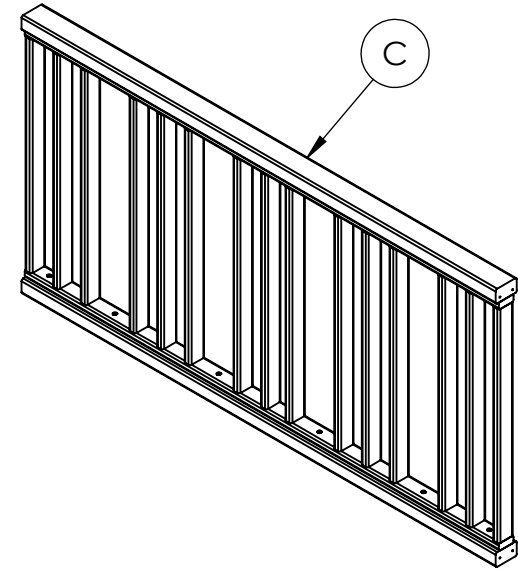
BIKE RACK ASSEMBLY INSTRUCTIONS



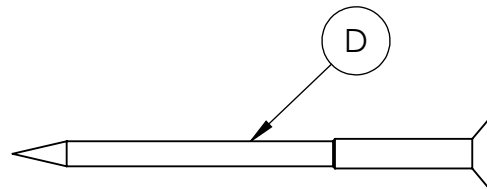
4
SIDE PANEL
ABK-P0007



2
STRETCHER
ABK-P0001



1
RACK ASSEMBLY



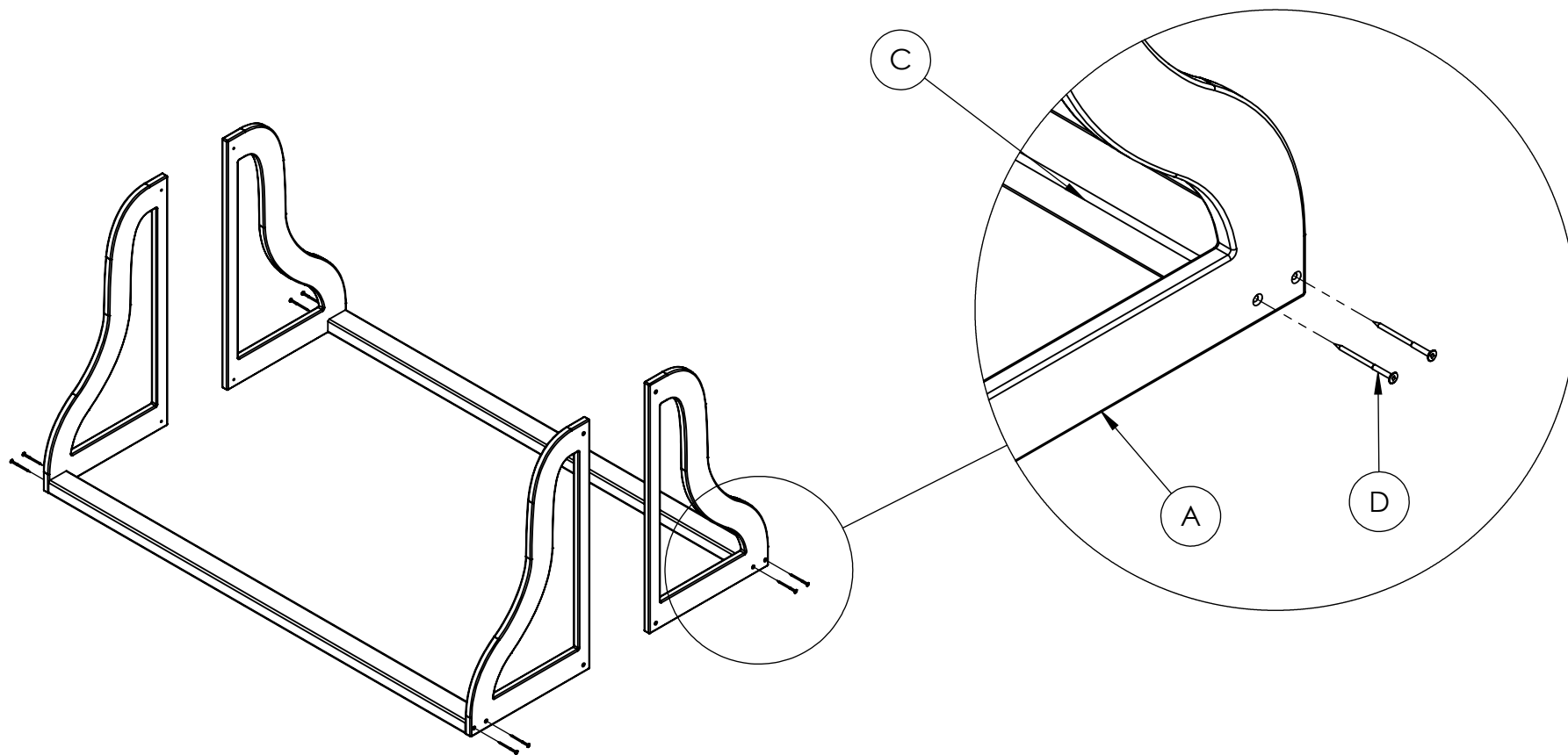
16
#10 x 2.5" FLAT HEAD SCREW

**REQUIRED TOOLS
(NOT INCLUDED)
POWER DRILL**

**COMPONENTS
REQUIRED FOR
ASSEMBLY**

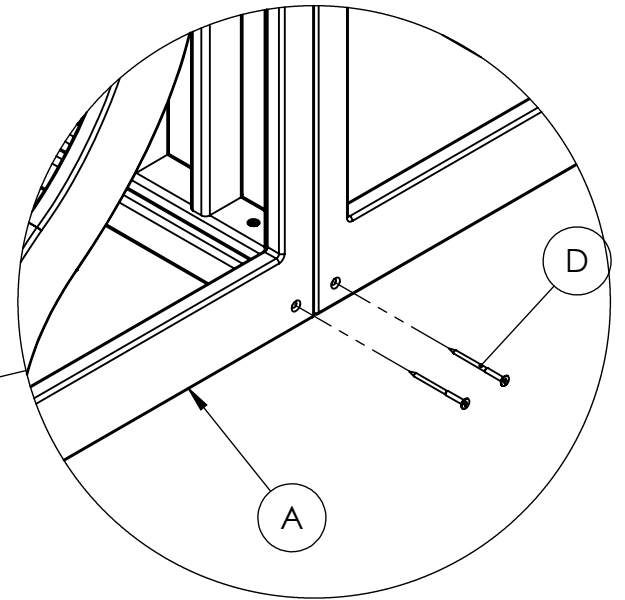
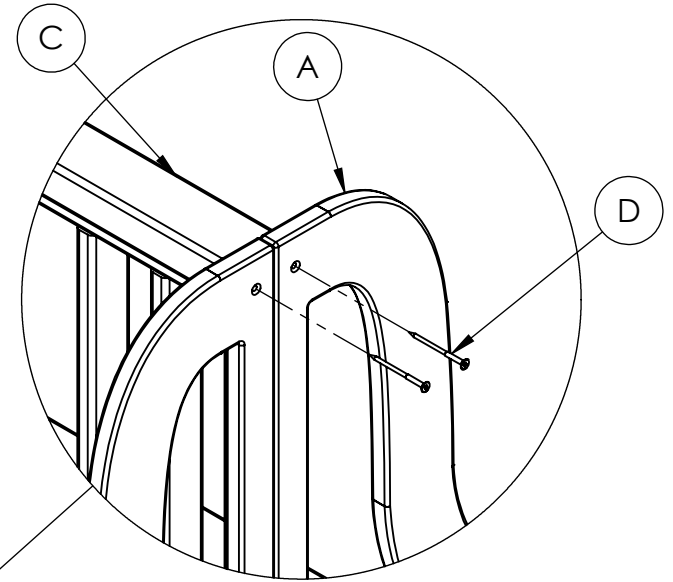
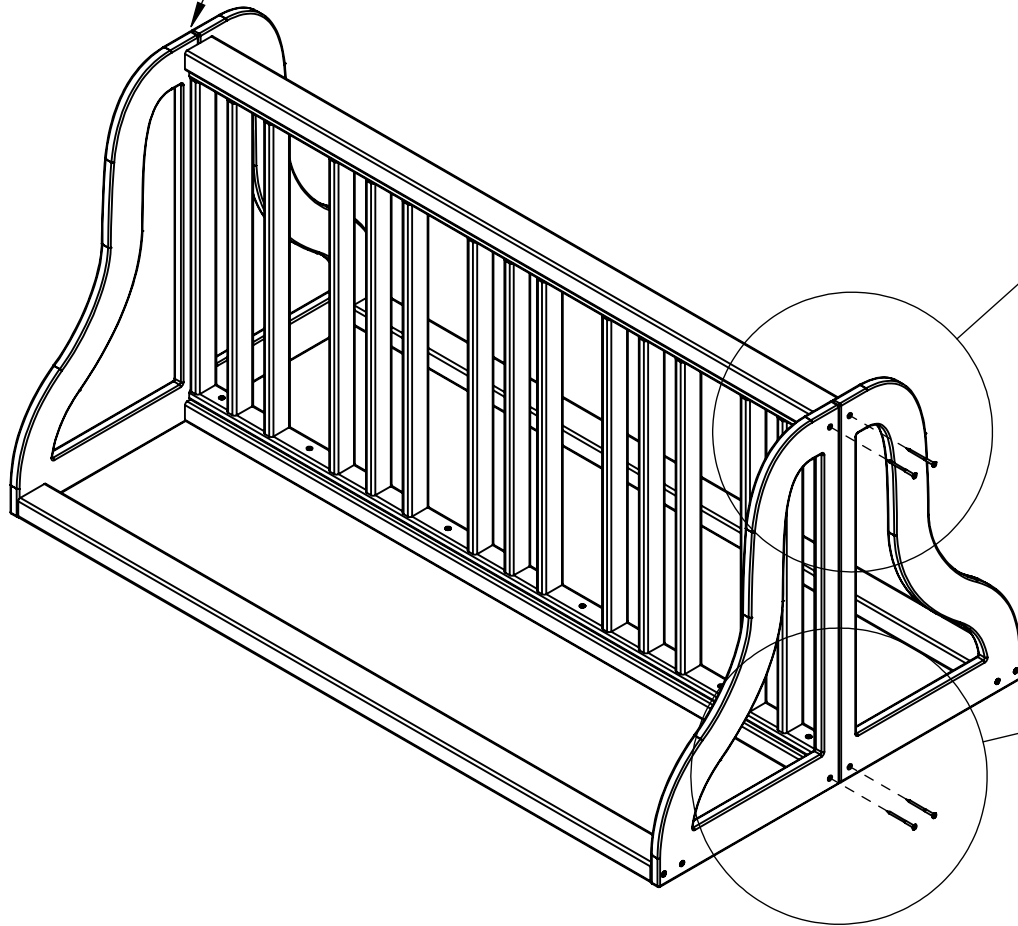
2/4

BIKE RACK ASSEMBLY INSTRUCTIONS



BIKE RACK ASSEMBLY INSTRUCTIONS

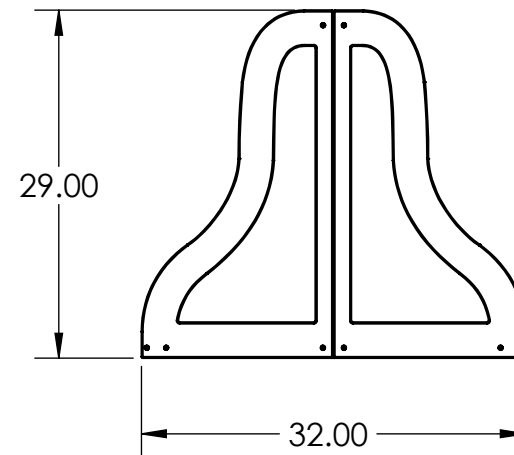
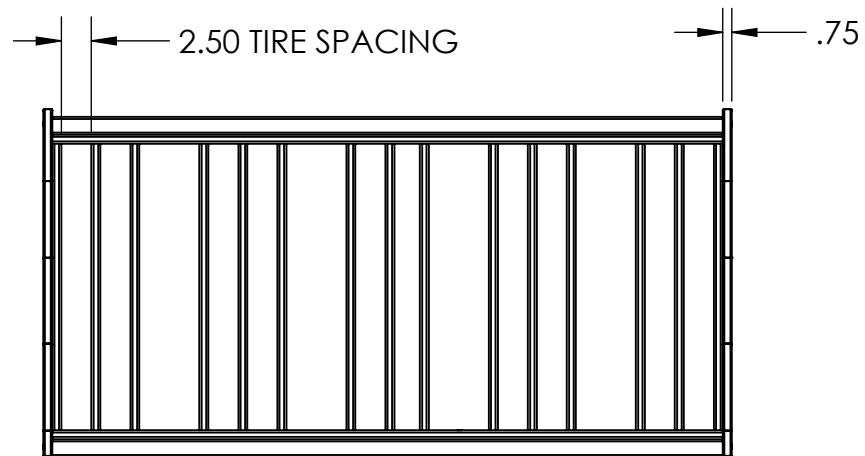
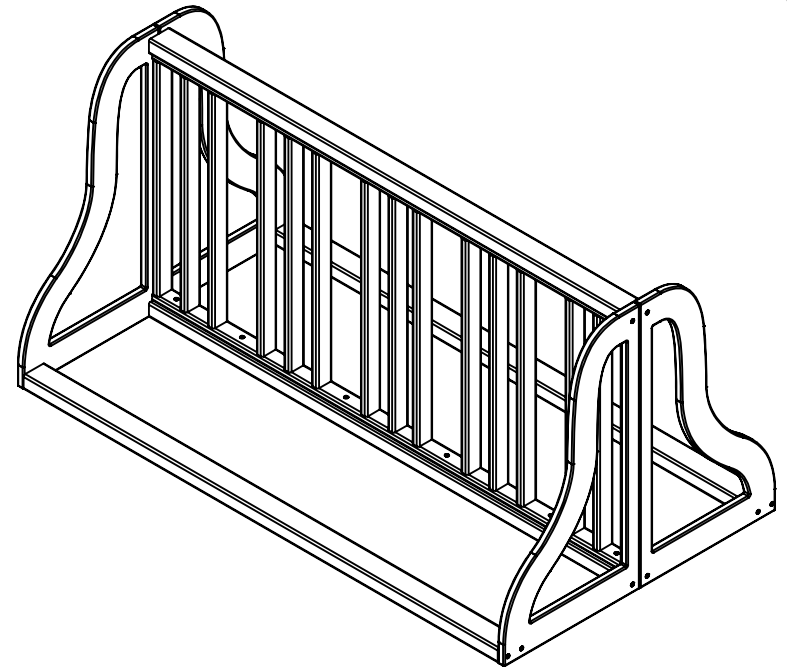
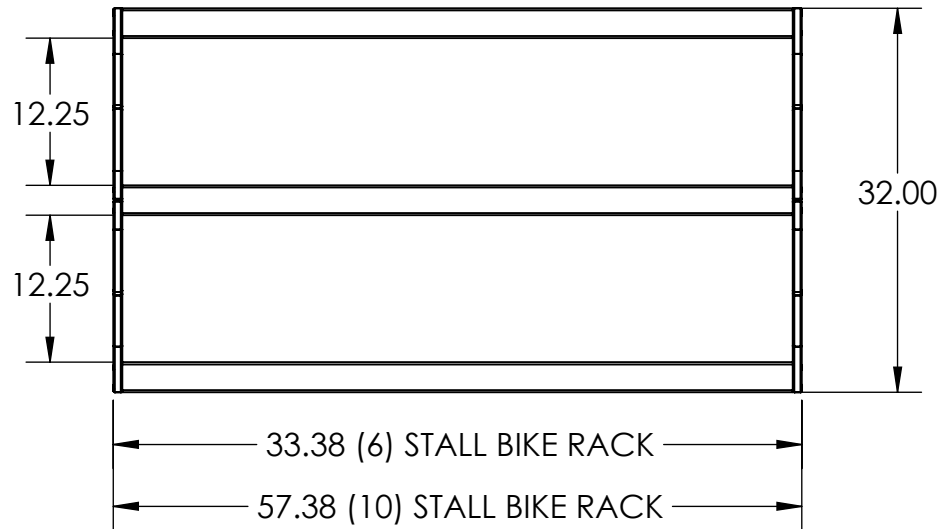
NOTE: Center rack assembly in
between side panels



**SECURE BASE
TO RACK**

4/4

SPECIFICATIONS BK1030 - BK1035



CONSTRUCTION MATERIALS:
Recycled Plastic
HARDWARE:
Stainless Steel

ALL DIMENSIONS ARE SHOWN IN INCHES