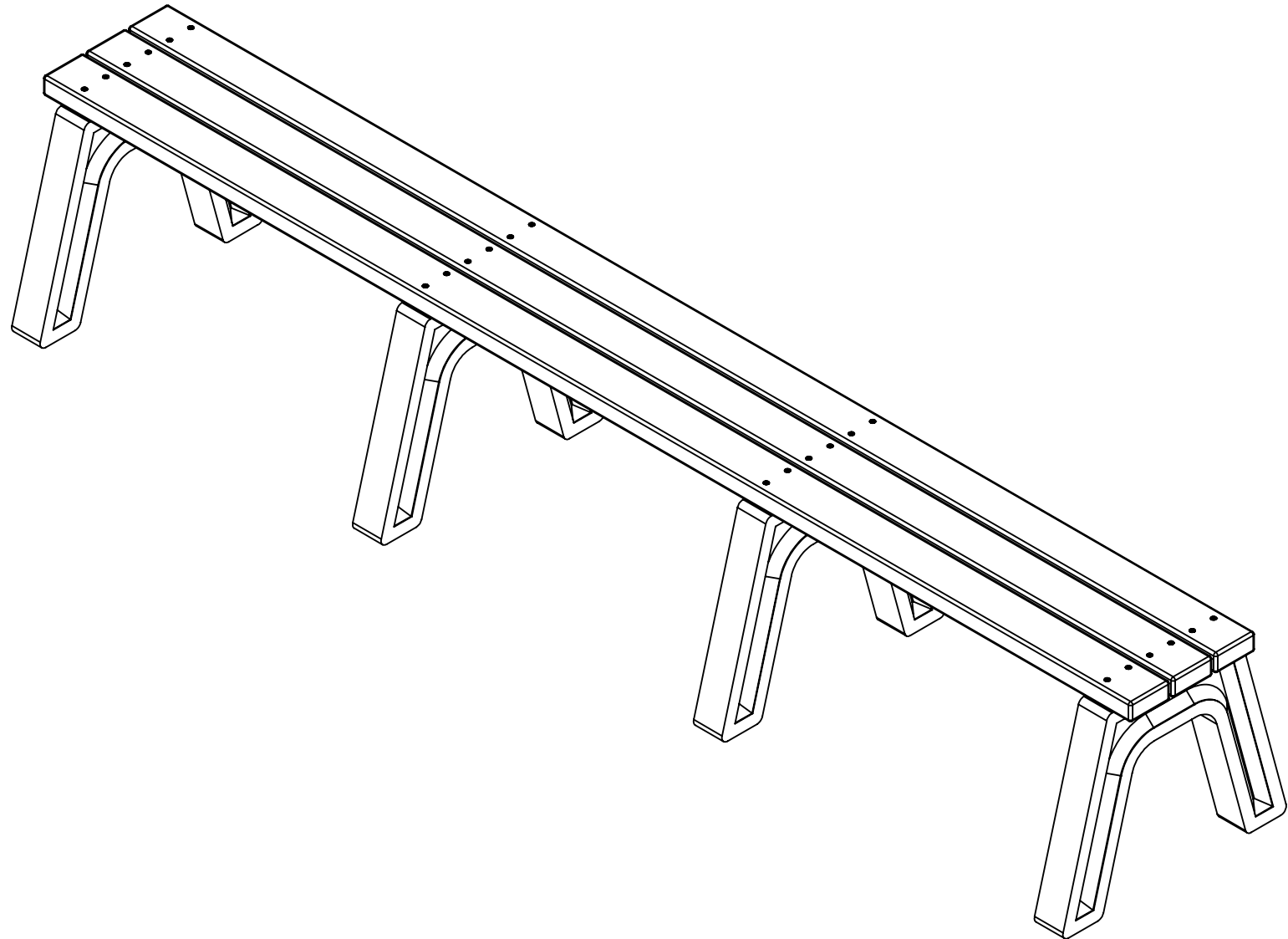


BENCH INSTRUCTIONS

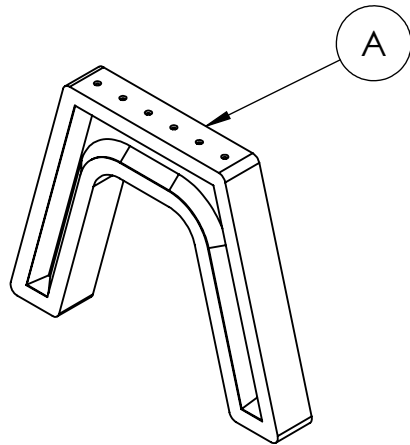
BC1150

REV# 2
9/19/2016

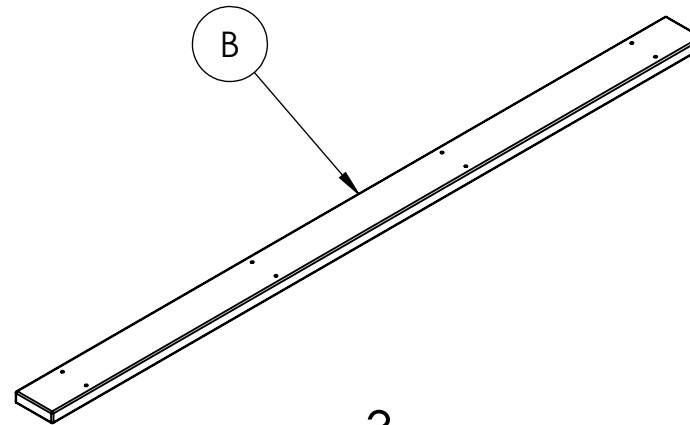


BENCH INSTRUCTIONS

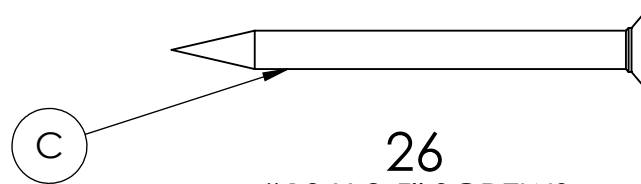
BC1150



4
BENCH ENDS
ABC-PPL1005



3
PLASTIC BOARDS



26
#10 X 2.5" SCREWS

REQUIRED TOOLS (NOT INCLUDED)

- POWER DRILL
- #2 SQUARE DRIVE

NOTE: IT IS IMPORTANT TO KEEP ALL SCREWS LOOSE DURING ASSEMBLY UNTIL ENTIRE BENCH IS ASSEMBLED

**HARDWARE &
TOOLS REQUIRED
FOR ASSEMBLY**

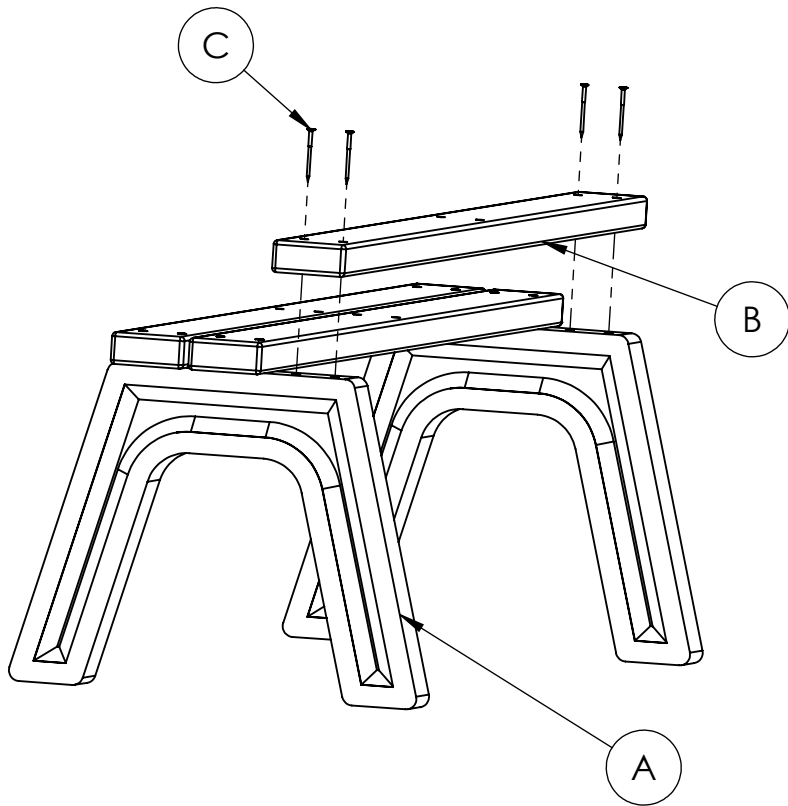
2/4

BENCH INSTRUCTIONS

BC1150

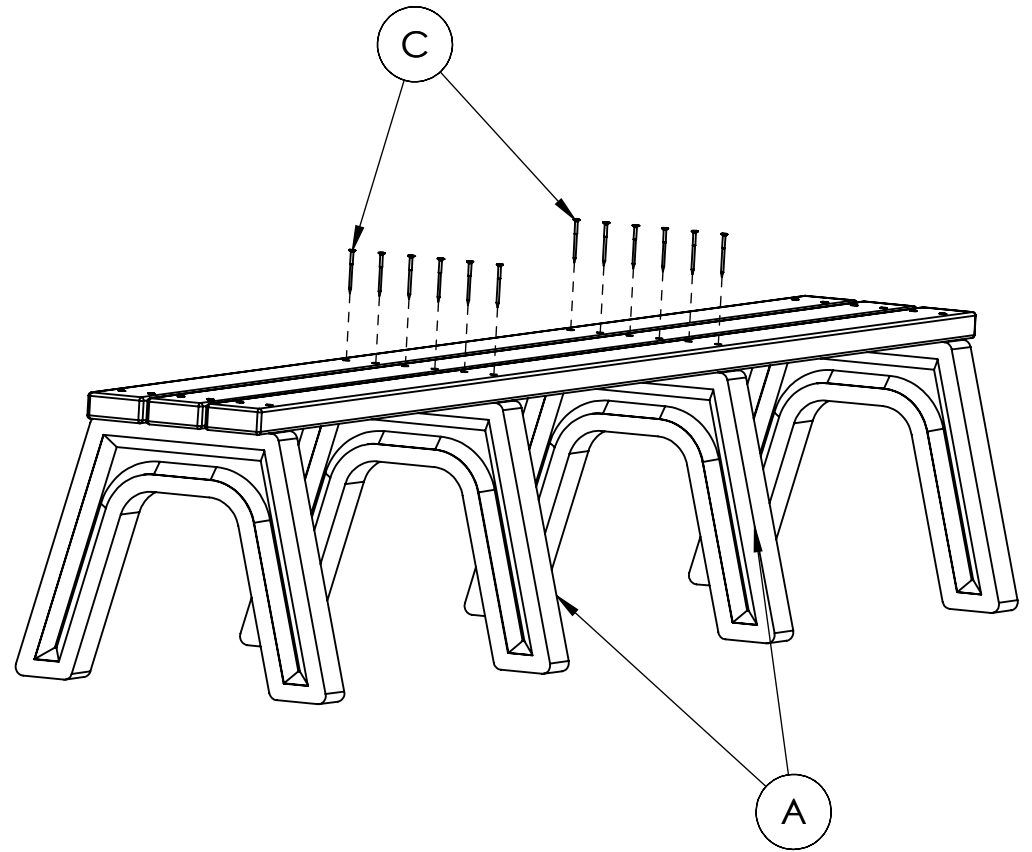
STEP 1 Seat Assembly

- Stand two outer bench ends (A) upright
- Lay a plastic board (B) over the bench ends (A)
- Align the holes in the plastic board with the predrilled holes in the bench ends
- Secure the board with the #10 x 2.5" screws (C)
- Repeat for each plastic board

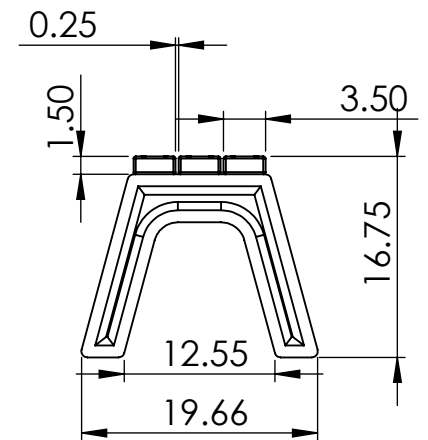
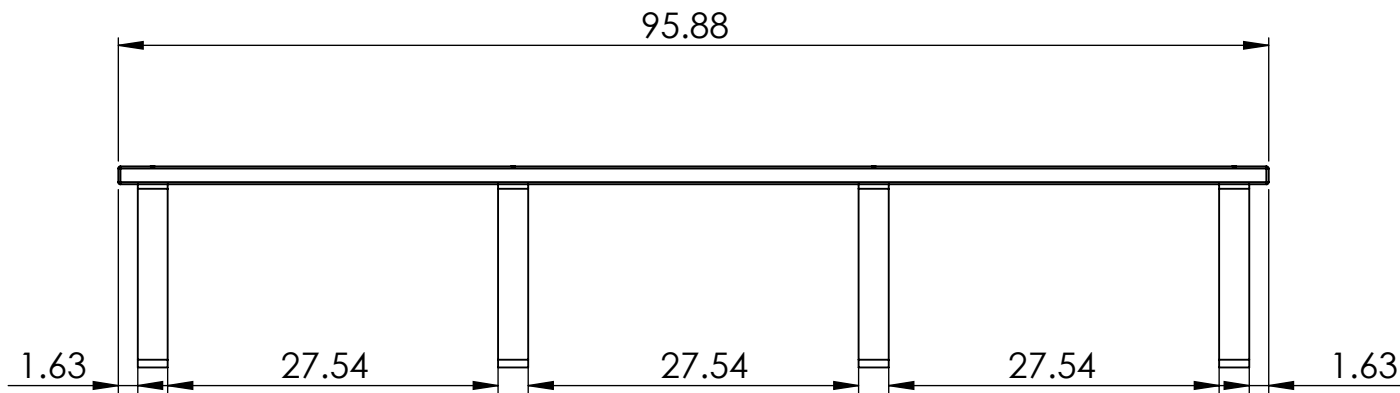
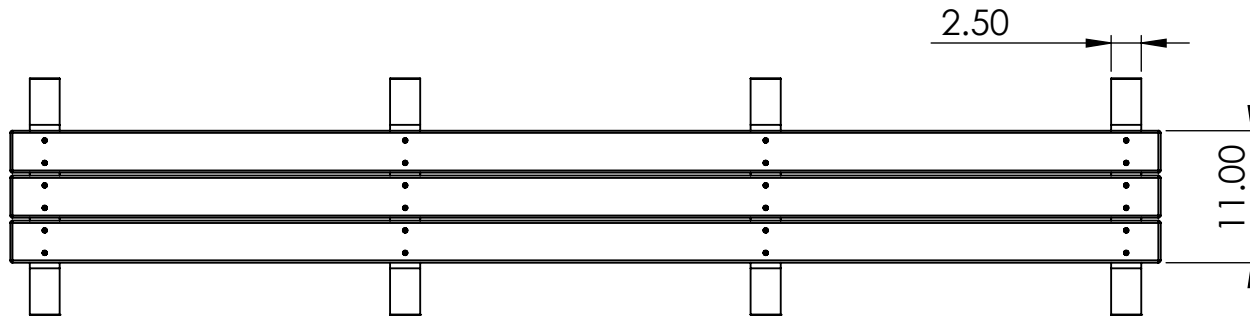
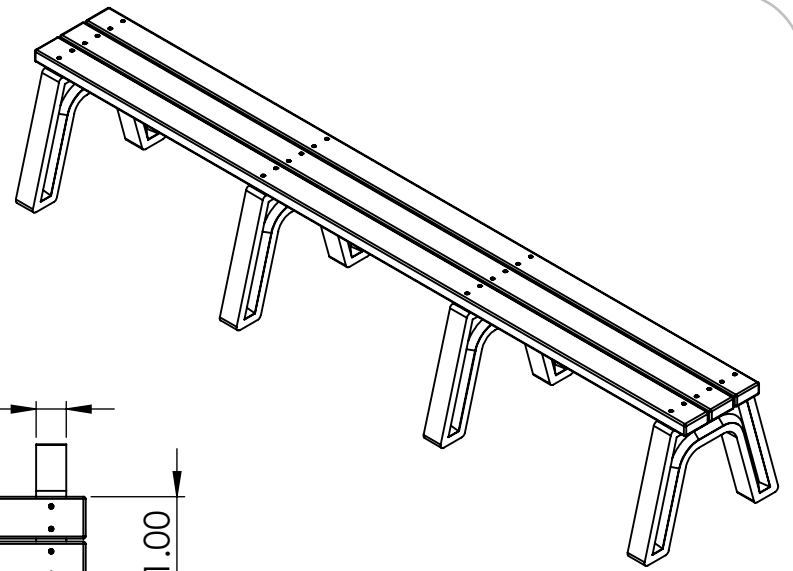


STEP 2 Seat Assembly

- Move the remaining bench ends (A) under the bench seat
- Align the predrilled holes in the bench ends with holes in the plastic board (B)
- Secure each plastic board to the bench ends with #10 x 2.5" screws (C)



BENCH SPECIFICATIONS BC1150



CONSTRUCTION MATERIALS:
Recycled Plastic
HARDWARE:
Stainless Steel