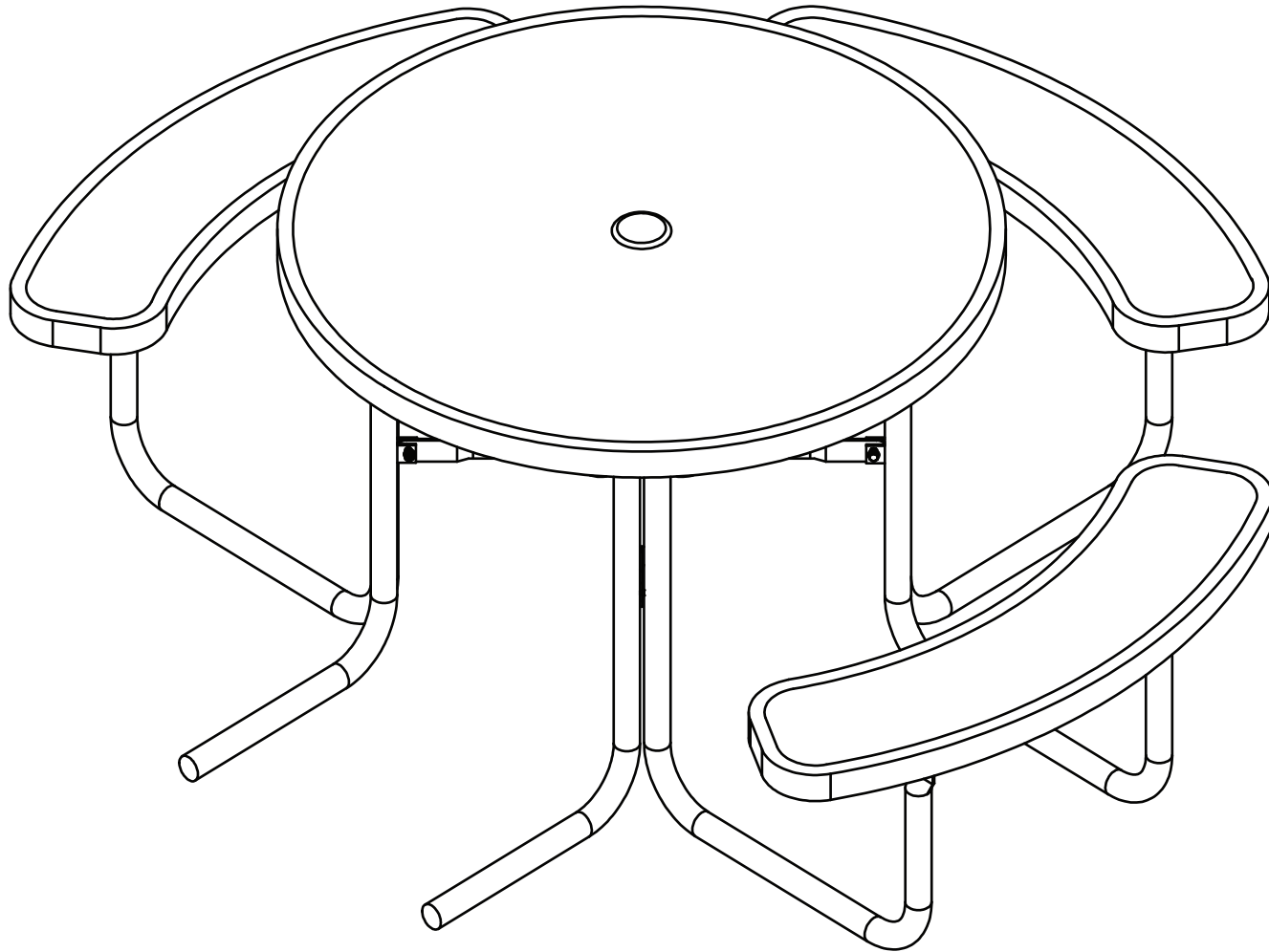


INSTRUCTIONS

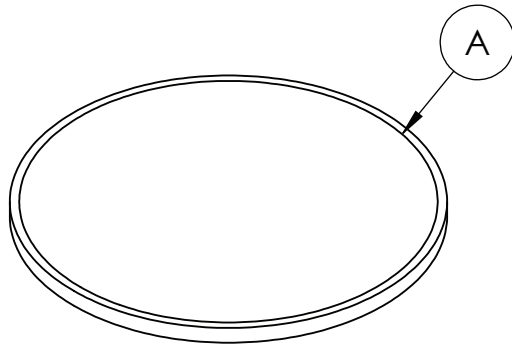
Round ADA Picnic Table



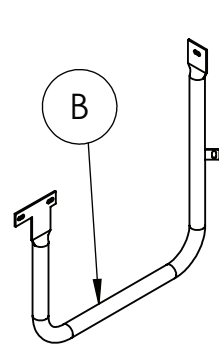
INSTRUCTIONS

Round ADA Picnic Tables

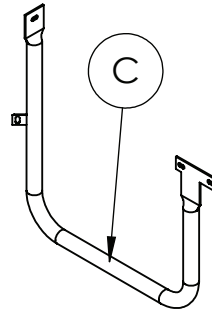
COMPONENTS



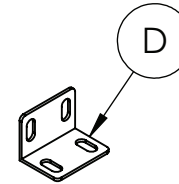
1
Table Top



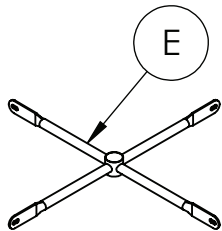
3
Left Legs



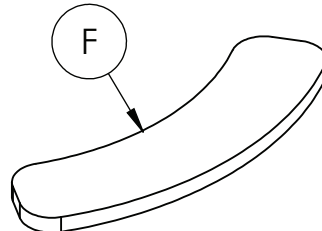
3
Right Legs



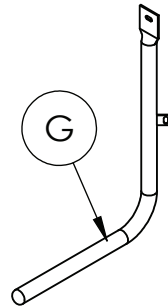
4
Corner Brackets



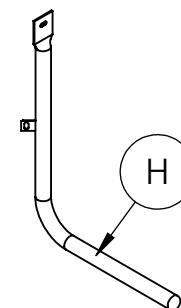
1
Center Cross Brace



3
Seats

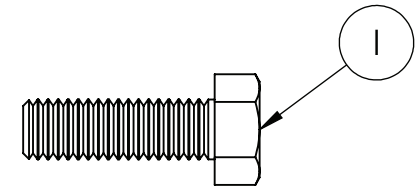


1
Left ADA Leg

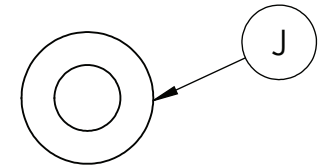


1
Right ADA Leg

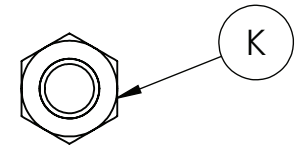
HARDWARE



32
M8 x 25
HEX HEAD BOLTS



64
M8 Flat Washer



32
M8 Hex Nut

REQUIRED TOOLS (NOT INCLUDED)

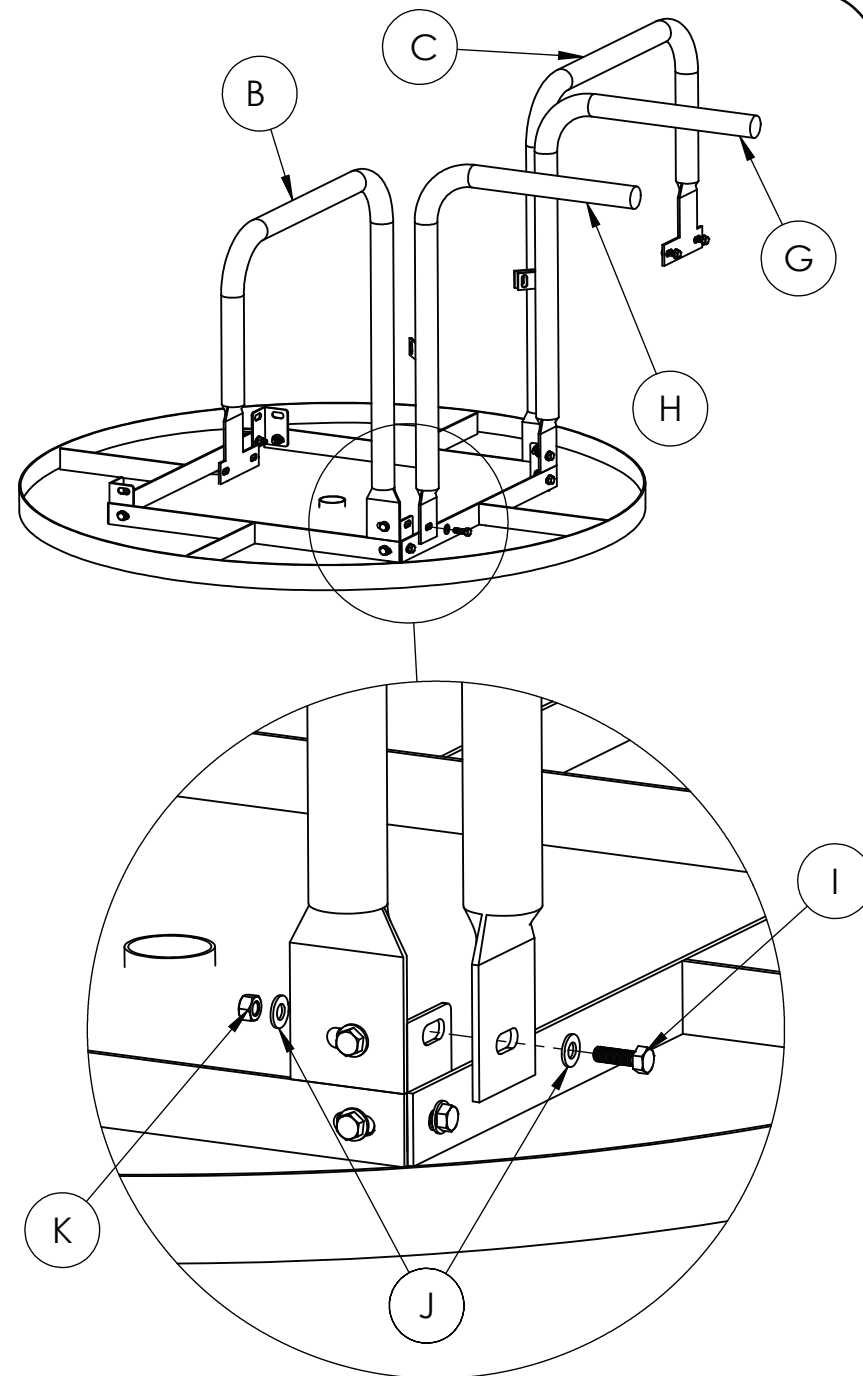
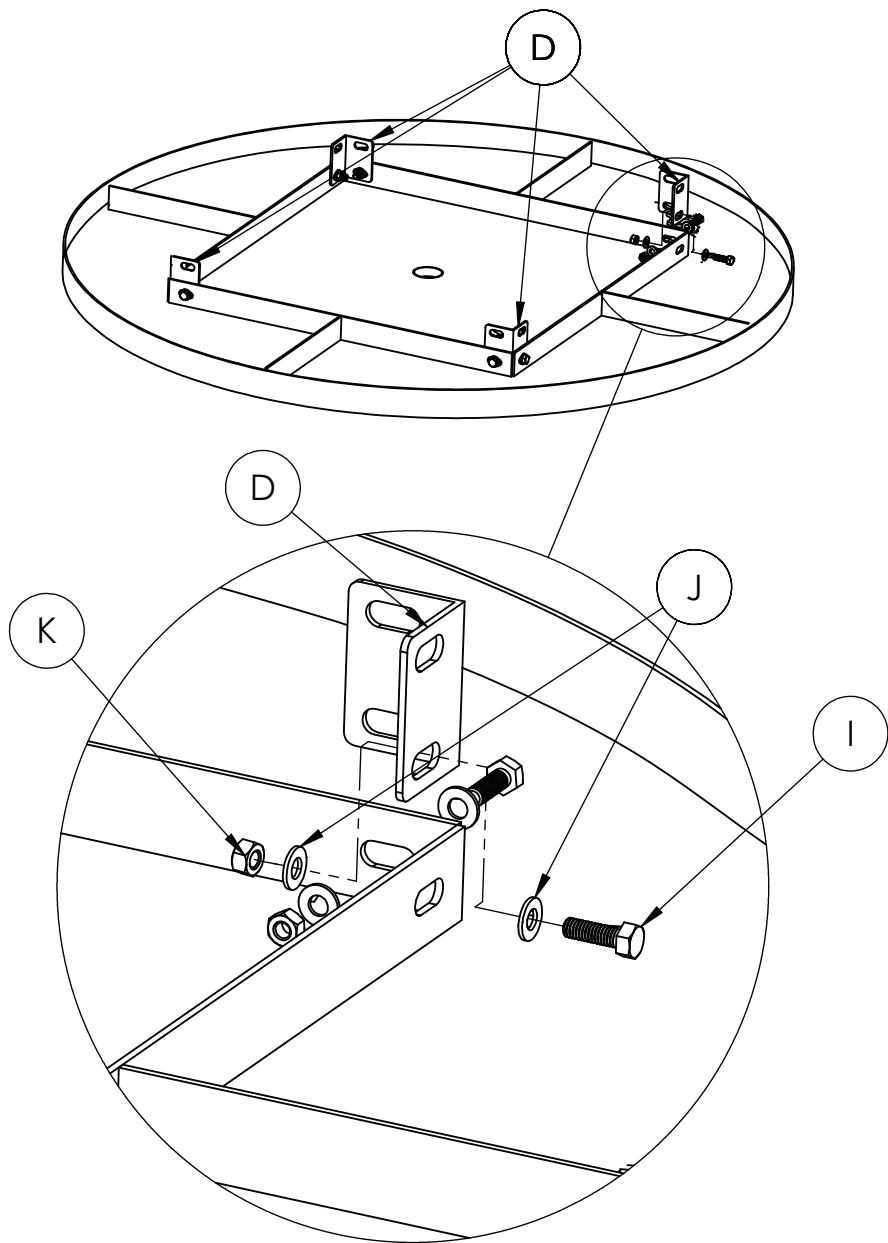
- 1 - 13MM WRENCH
- 1 - 13MM SOCKET

NOTE: IT IS IMPORTANT TO KEEP ALL BOLTS FINGER TIGHT DURING ASSEMBLY UNTIL ENTIRE TABLE IS ASSEMBLED

**HARDWARE &
TOOLS REQUIRED
FOR ASSEMBLY**

2/4

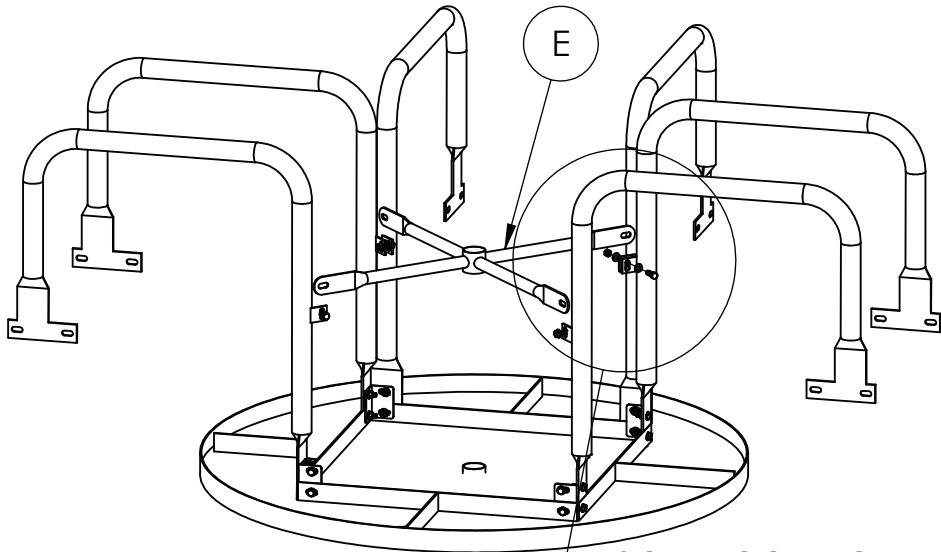
INSTRUCTIONS



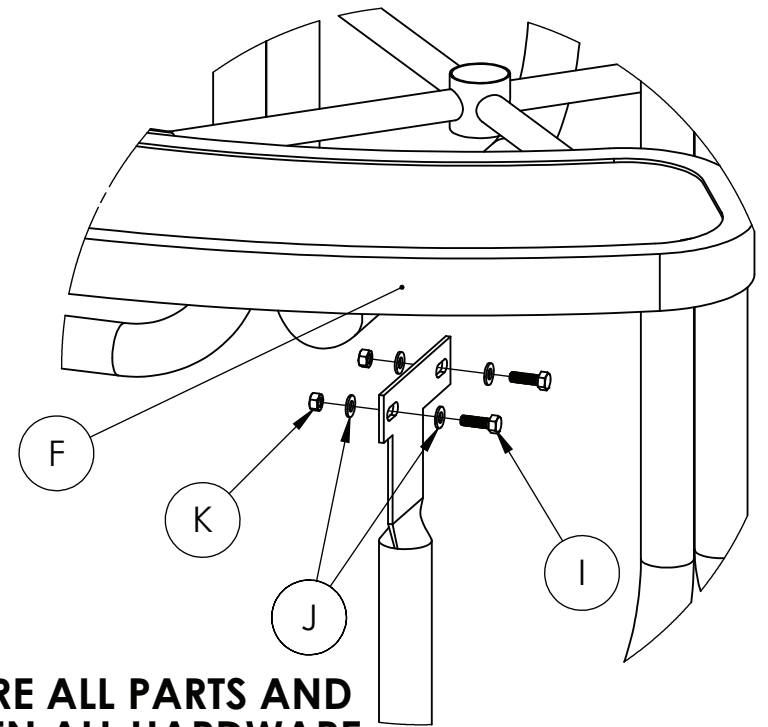
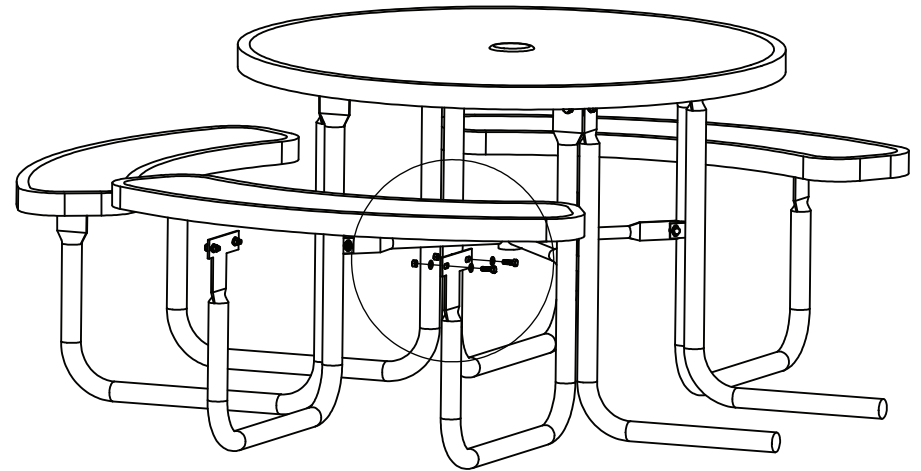
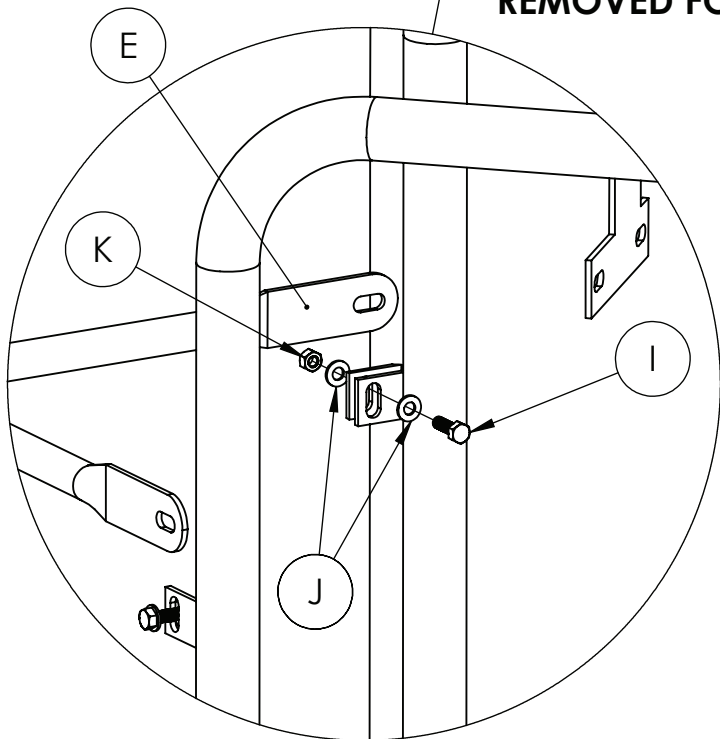
**ATTACH
TABLE LEGS**

3/4

INSTRUCTIONS



SOME COMPONENTS
REMOVED FOR DETAIL



SQUARE ALL PARTS AND
TIGHTEN ALL HARDWARE

**ATTACH
SUPPORT AND
SEATS**

4/4

SPECIFICATIONS

