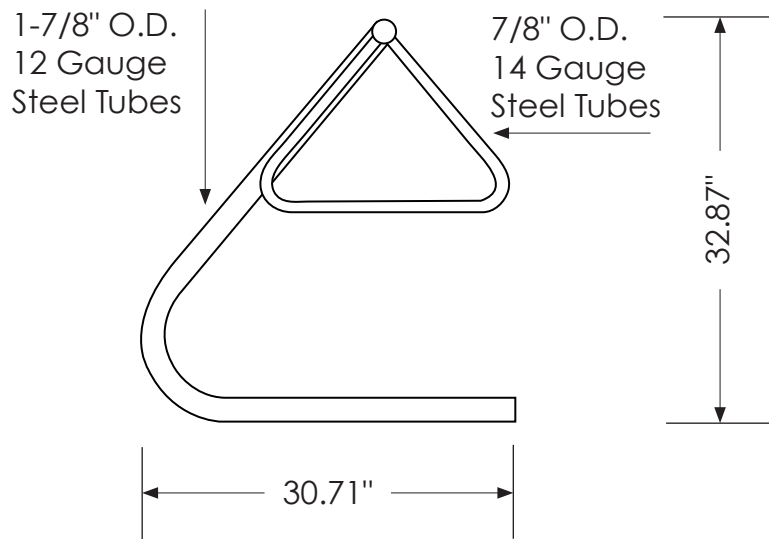


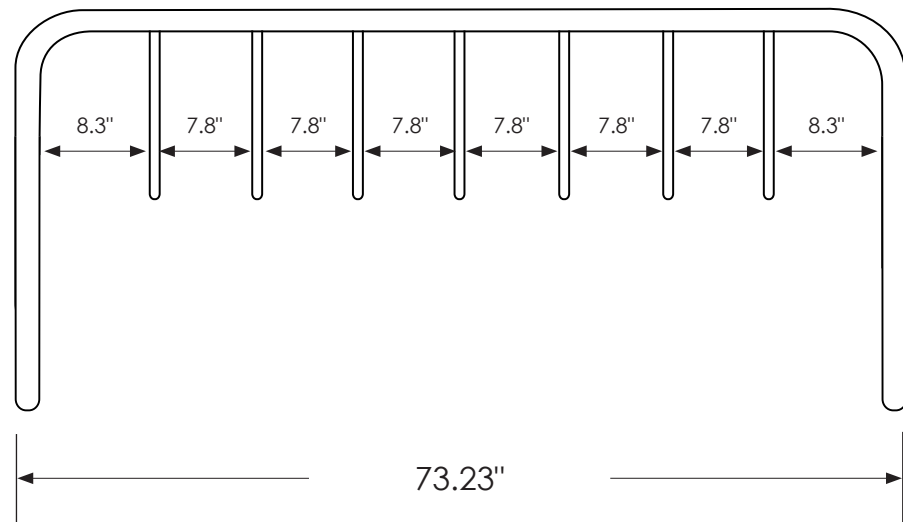
CONSTRUCTION MATERIALS

TRIANGULAR LOOP 8-BIKE RACK SPECIFICATIONS

SIDE VIEW



FRONT VIEW



TOTAL WEIGHT: 64 lbs

- NOTES:**
- 1) 7/16" Dia. Mounting Hole
 - 2) Mounting hardware not included
 - 3) Drawing not to scale