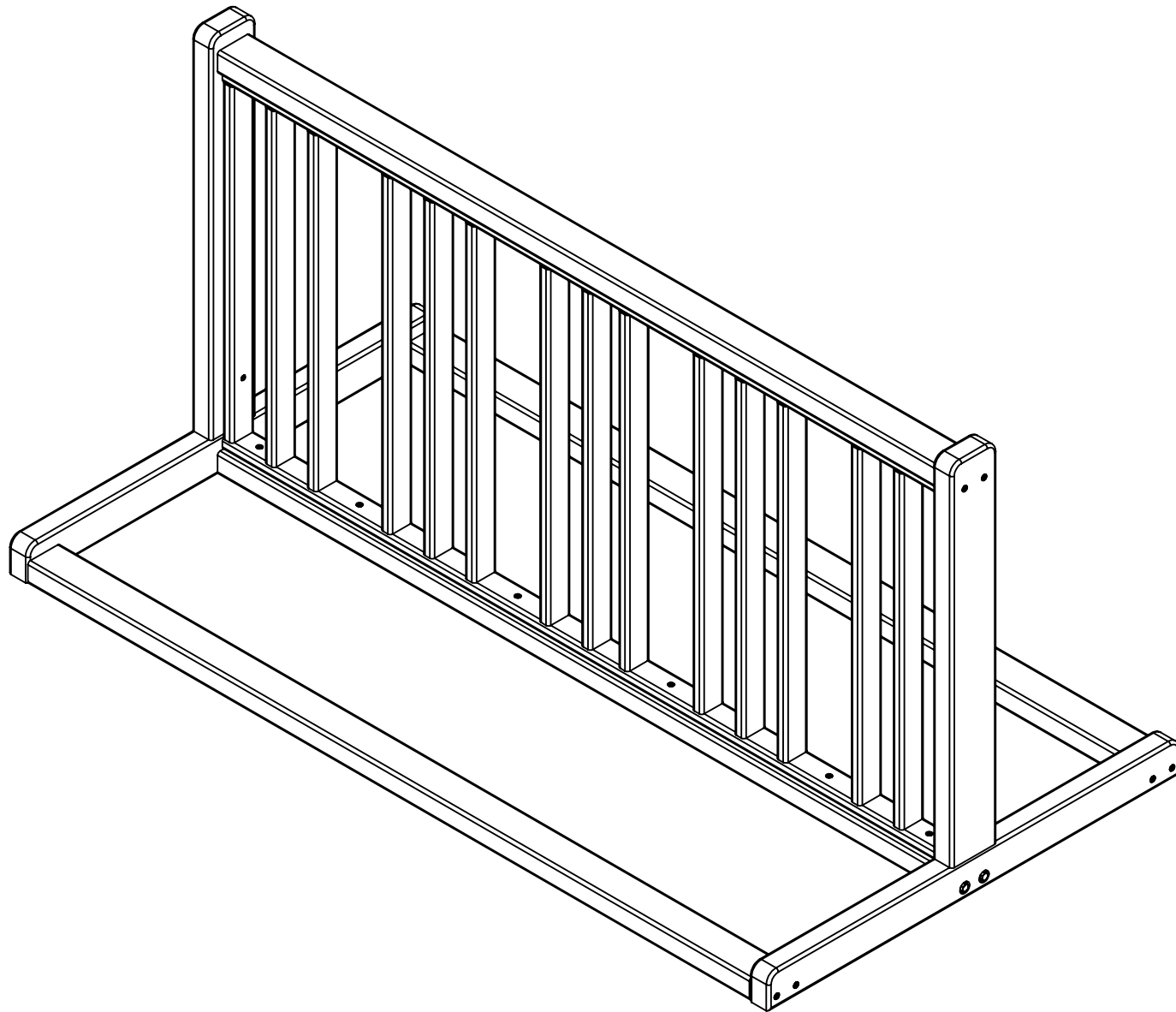
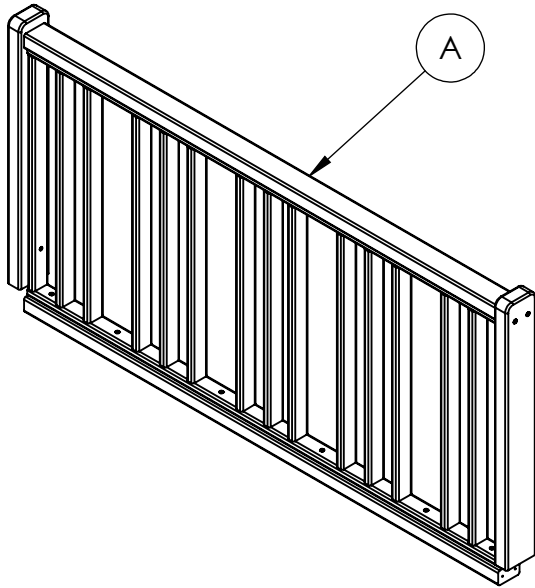


# BIKE RACK ASSEMBLY INSTRUCTIONS

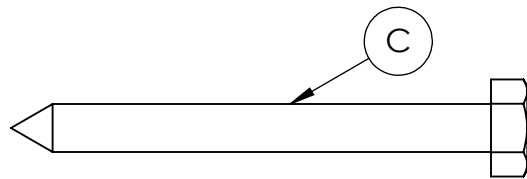
BK1010 REV# 1  
BK1015



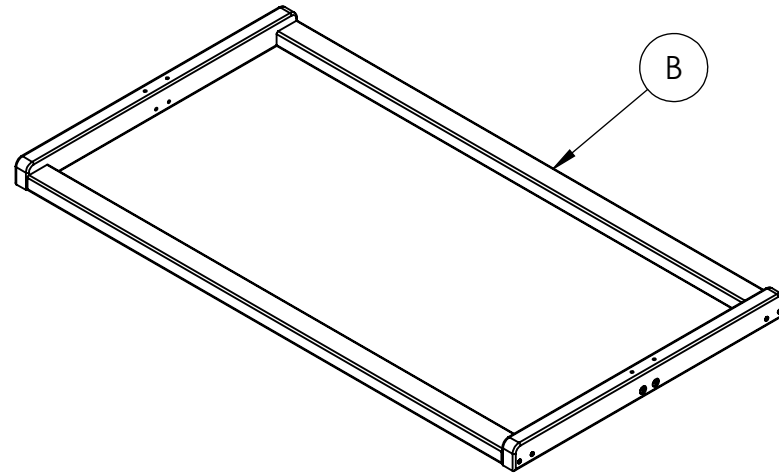
# BIKE RACK ASSEMBLY INSTRUCTIONS



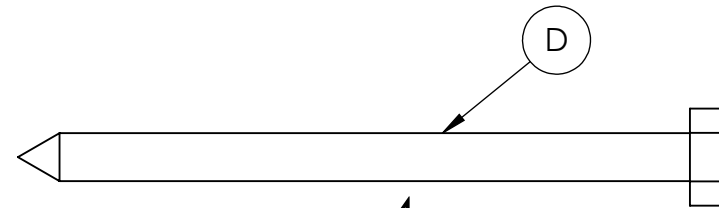
1  
RACK ASSEMBLY



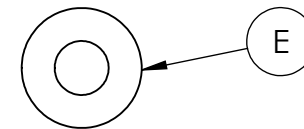
4  
1/4" X 2.5" LAG SCREW



1  
BASE ASSEMBLY



4  
1/4" X 3.5" LAG SCREW



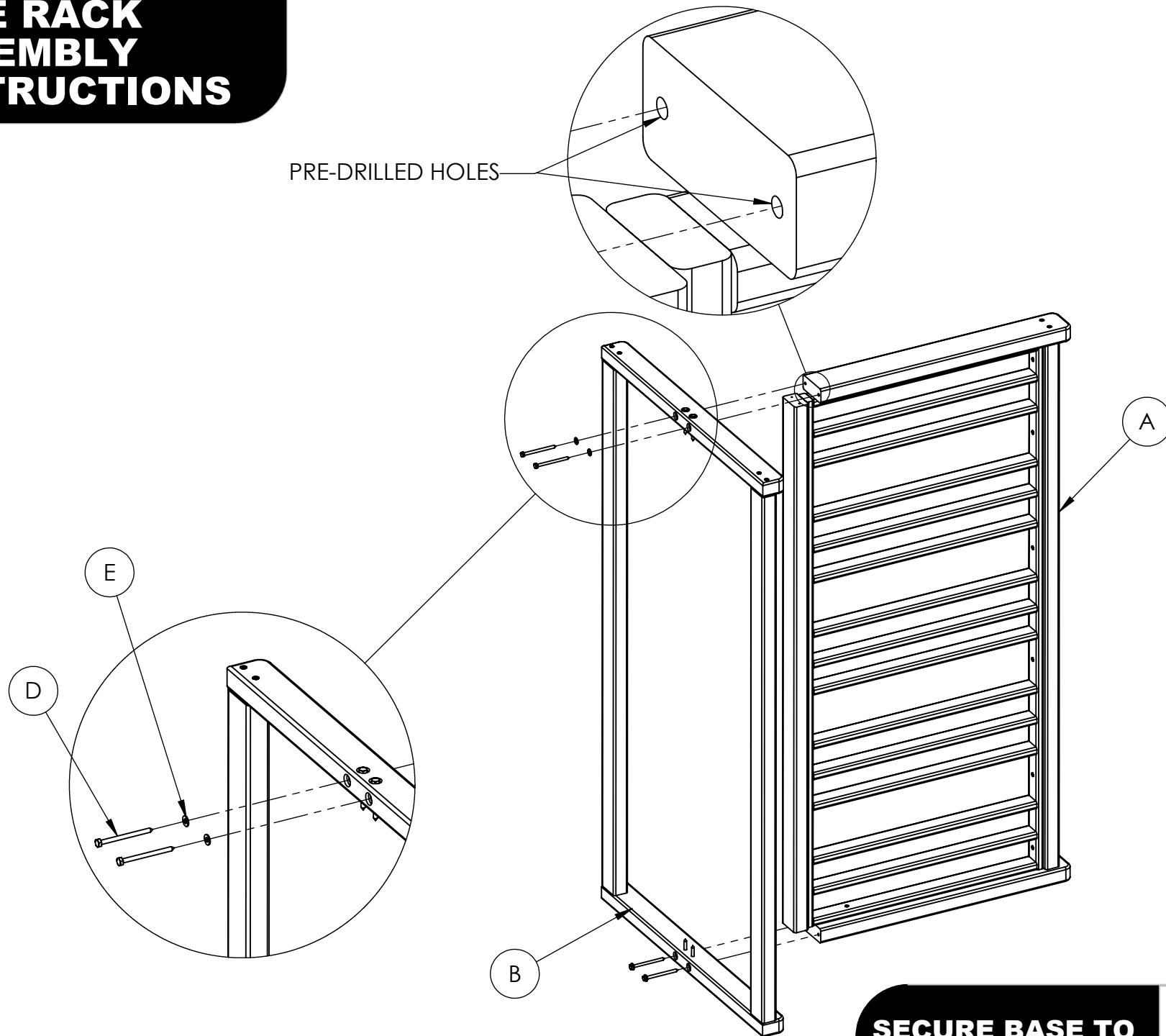
8  
1/4" FLAT WASHER

**REQUIRED TOOLS  
(NOT INCLUDED)**  
1 - 7/16" SOCKET

**COMPONENTS  
REQUIRED FOR  
ASSEMBLY**

**2/4**

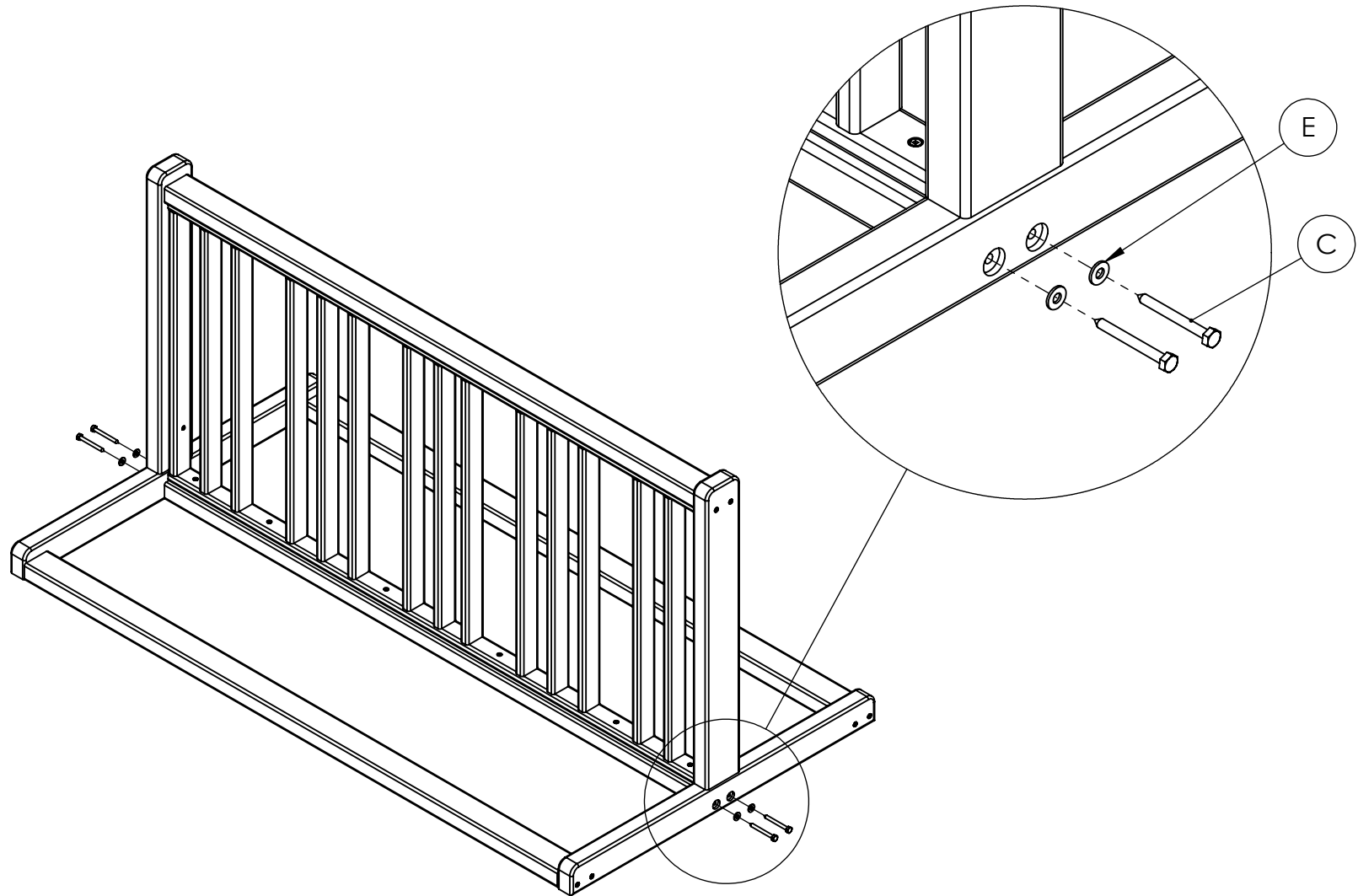
# BIKE RACK ASSEMBLY INSTRUCTIONS



**SECURE BASE TO  
RACK**

**3/4**

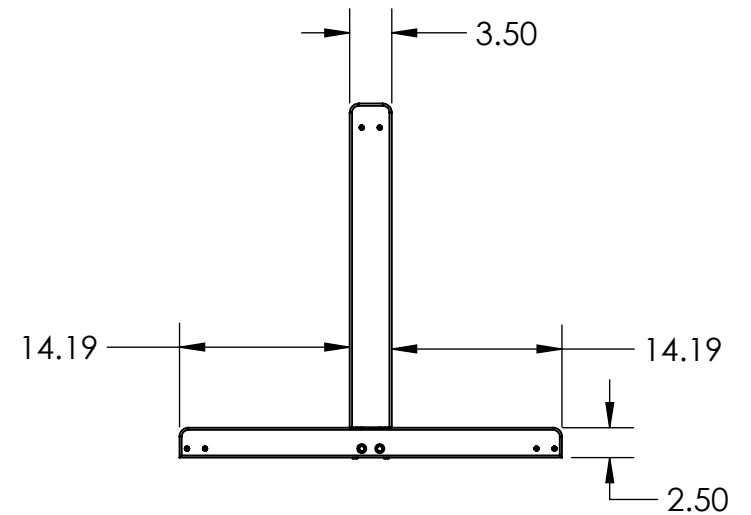
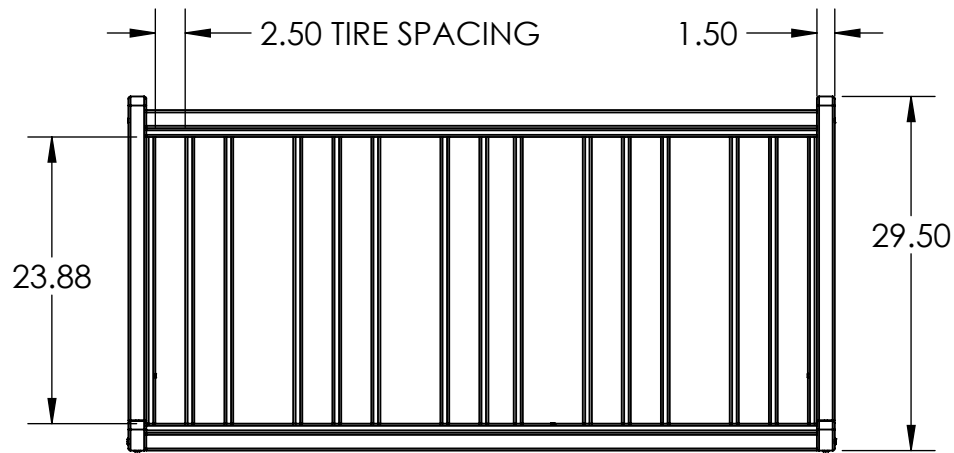
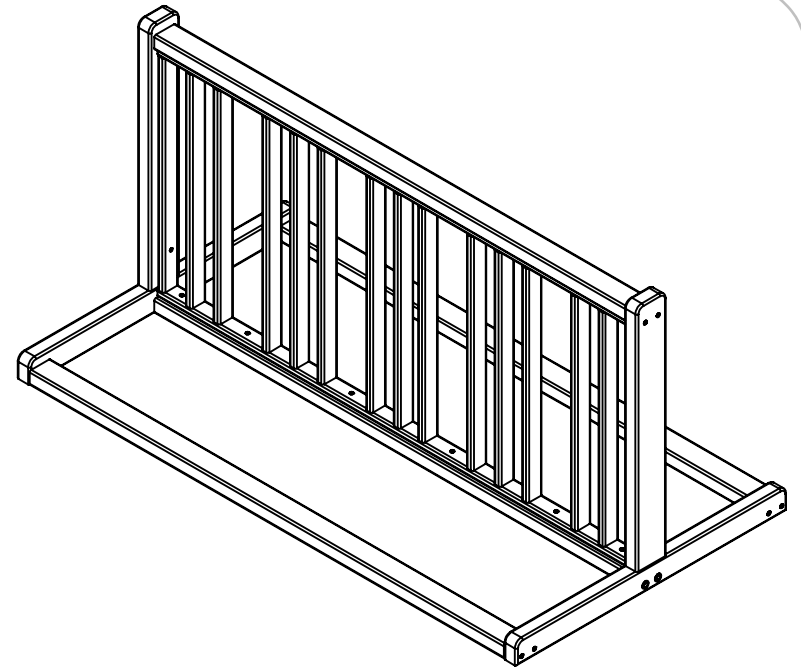
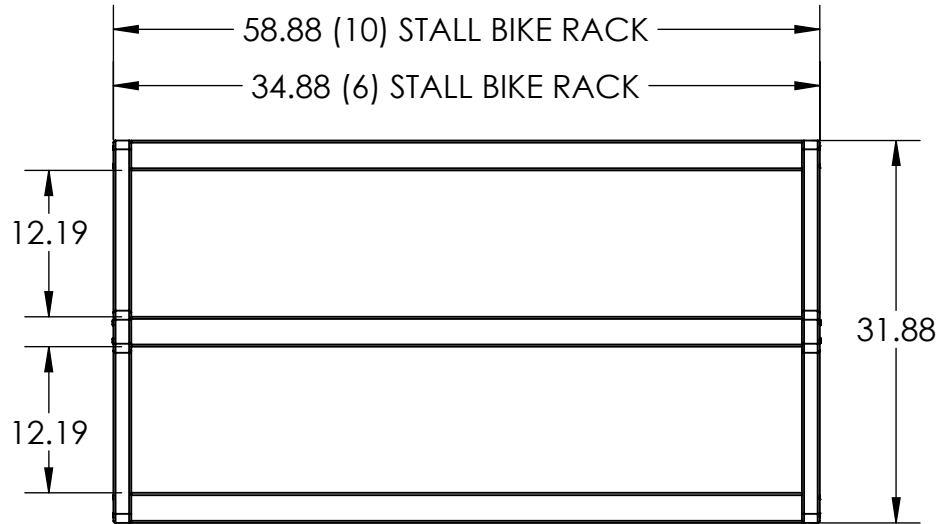
# BIKE RACK ASSEMBLY INSTRUCTIONS



**SECURE BASE  
TO RACK**

**4/4**

# SPECIFICATIONS BK1010 - BK1015



**CONSTRUCTION MATERIALS:**  
Recycled Plastic  
**HARDWARE:**  
Stainless Steel

ALL DIMENSIONS ARE SHOWN IN INCHES