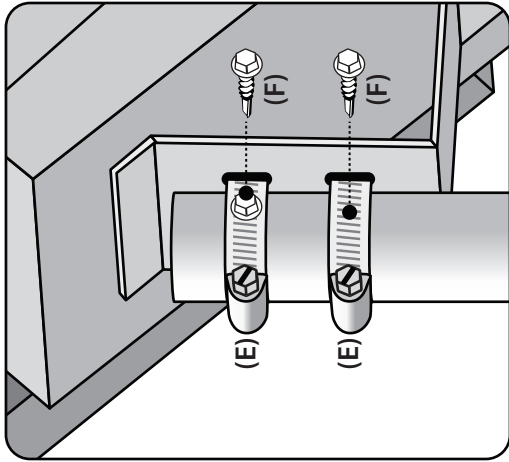


Flash Alert Installation

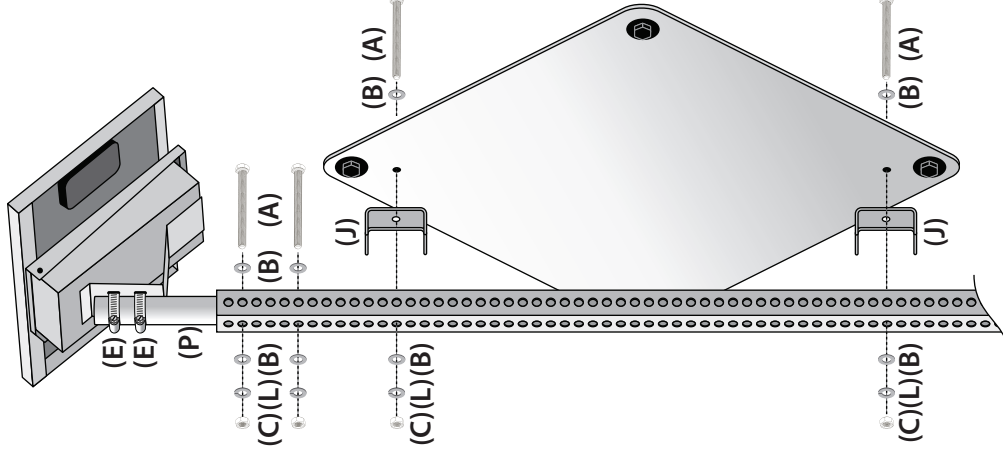
For Signs up to 36" wide



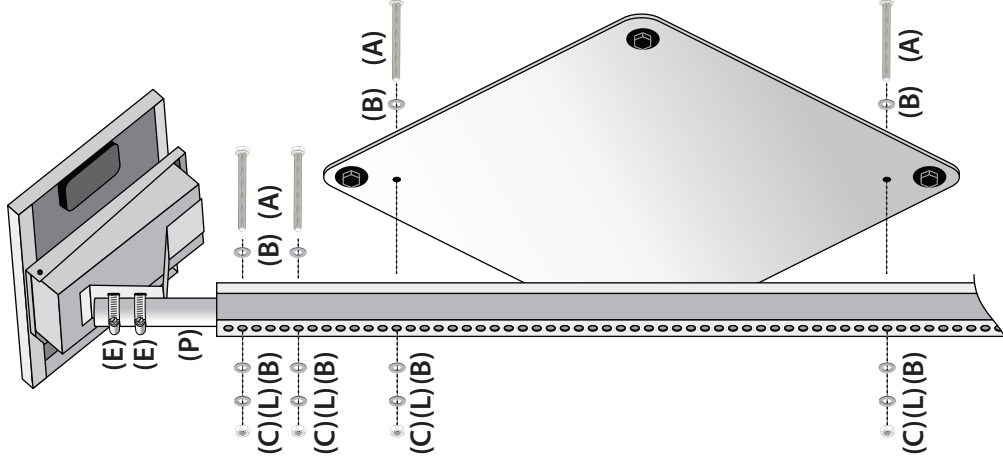
Solar Panel must point South.

Drive Self-tapping screws through side of Bands and into post to prevent unwanted rotation and slipping of Solar Panel.

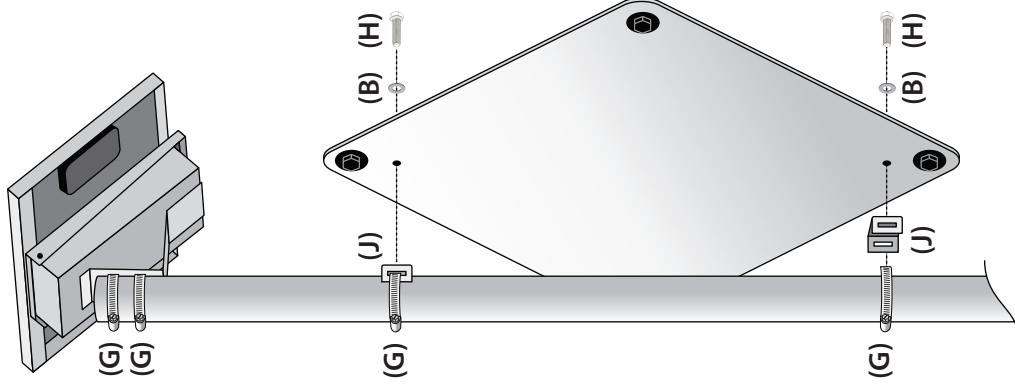
□ Square Post mount



∩ U-Channel mount



○ Round Post mount



Tools Required



Impact Driver or Drill with 5/16" Power Nut Driver (for self-tapping screws)

5/16" Nut Driver or Flathead Screwdriver (for Bands)



1/2" Wrench and Ratchet with 1/2" Socket (for Bolts)



Square Post and U-Channel

Item	Description	Quantity
(A)	5/16" x 4-1/2" All-thread bolts	(4)
(B)	5/16" Washers	(8)
(C)	5/16" Nuts	(4)
(E)	1-5/8" - 5" Bands	(2)
(F)	Self-tapping screws	(2)
(J)	1-1/2" Pre-threaded Mounting Brackets	(2)
(L)	5/16" Lock Washers	(4)
(P)	1-3/4" Round Pipe	(1)

Round Pole

Item	Description	Quantity
(G)	1-5/8" - 5" Bands	(4)
(F)	Self-tapping screws	(4)
(B)	5/16" Washers	(2)
(H)	5/16" x 3/4" All-thread bolts	(2)
(J)	1-1/2" Pre-threaded Mounting Brackets	(2)