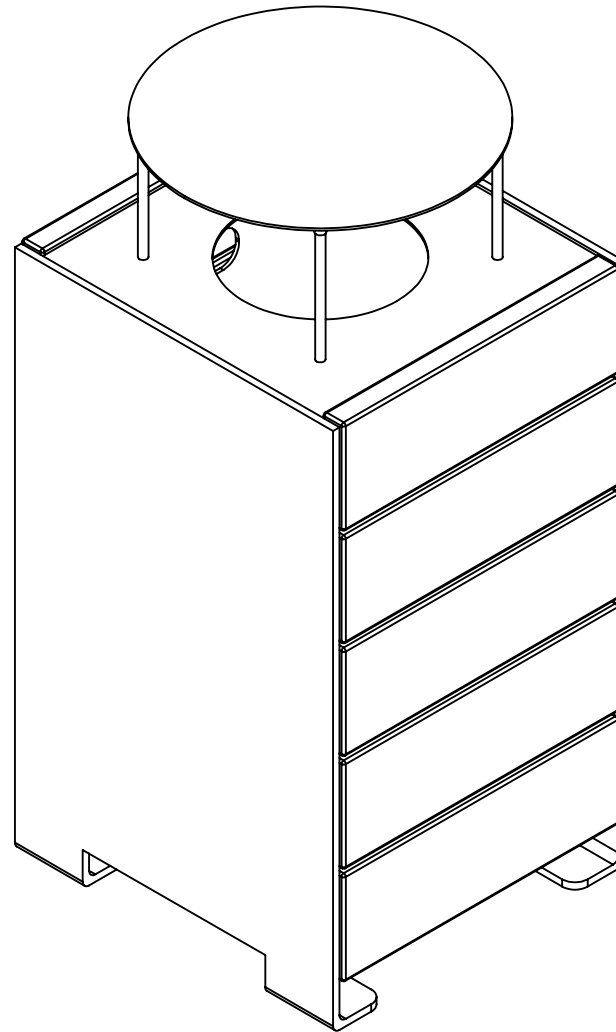


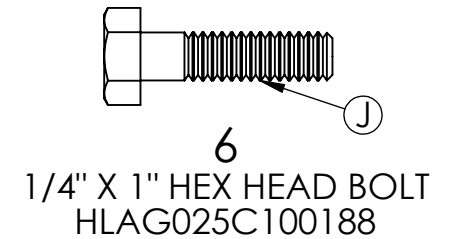
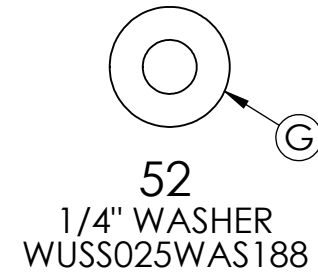
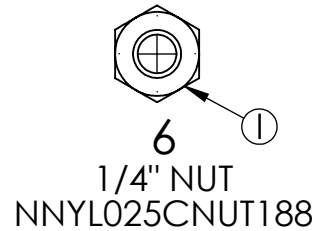
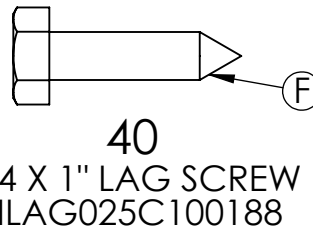
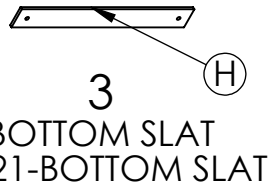
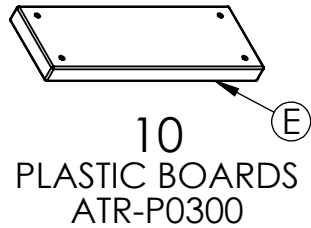
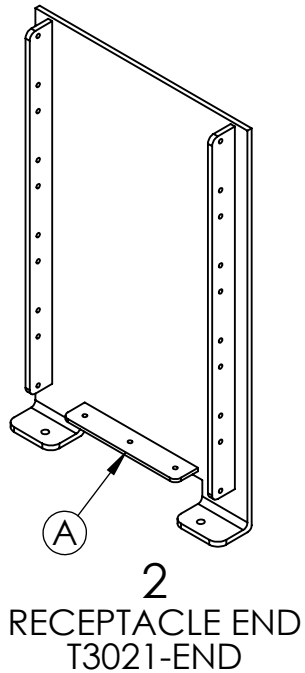
RECEPTACLE INSTRUCTIONS

TR2940

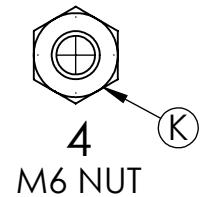
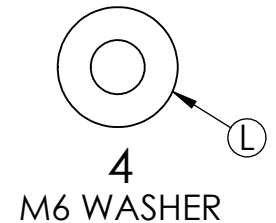
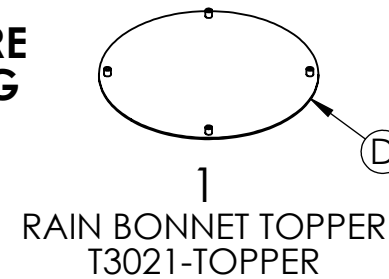
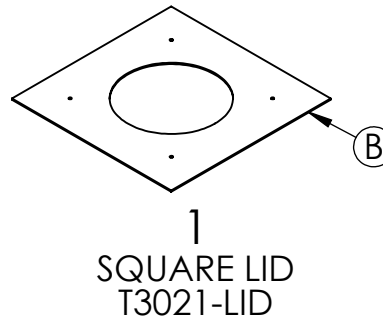
REV# 1
3/7/2017



RECEPTACLE INSTRUCTIONS



RAIN BONNET HARDWARE WITH METRIC THREADING



REQUIRED TOOLS (NOT INCLUDED)

- 7/16 WRENCH / SOCKET
- 90 DEGREE SQUARE

NOTE: IT IS IMPORTANT TO KEEP ALL SCREWS LOOSE DURING ASSEMBLY UNTIL ENTIRE RECEPTACLE IS ASSEMBLED

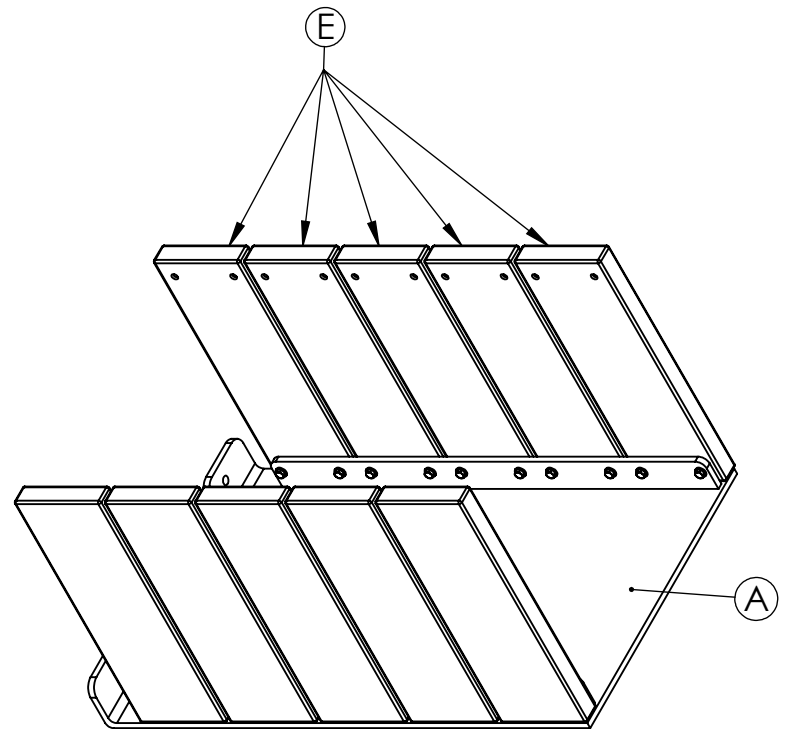
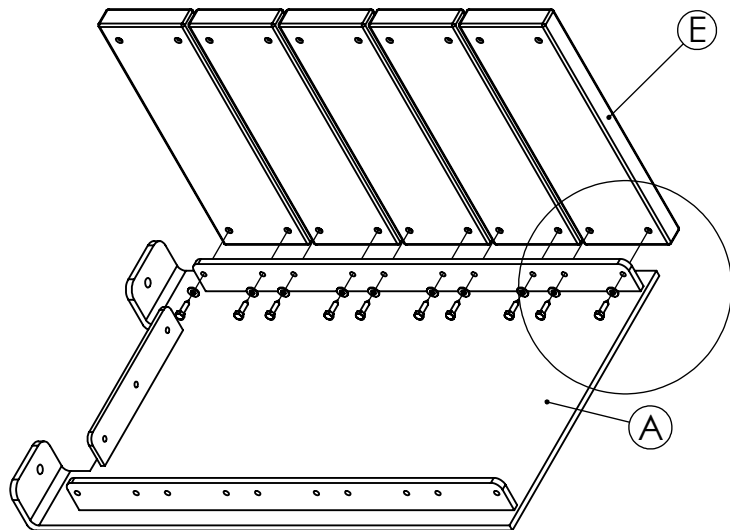
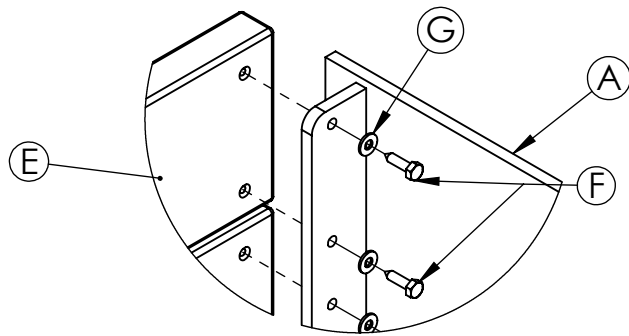
**HARDWARE &
TOOLS REQUIRED
FOR ASSEMBLY**

2/6

RECEPTACLE INSTRUCTIONS

STEP 1 Side Assembly

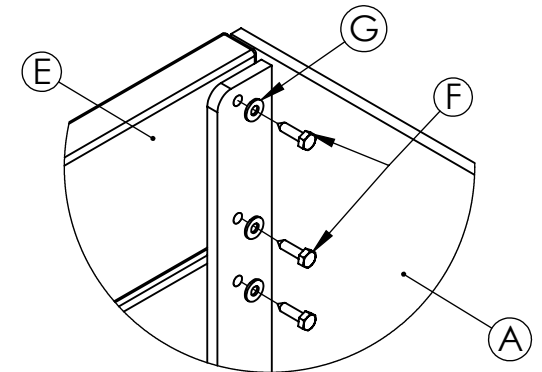
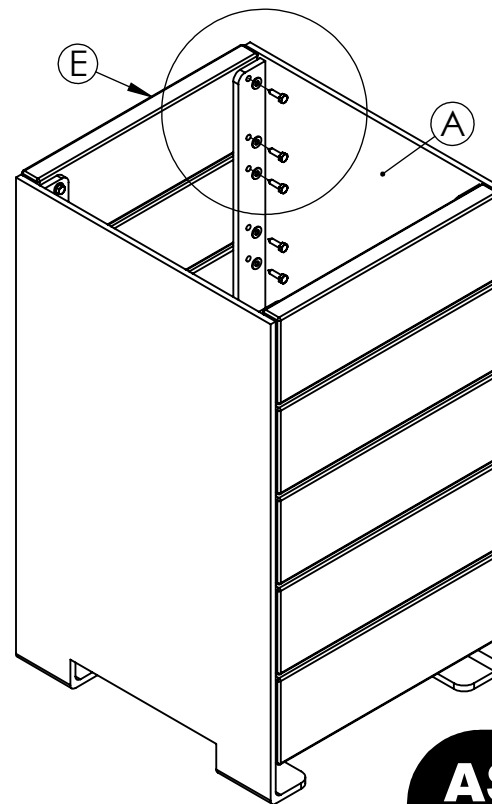
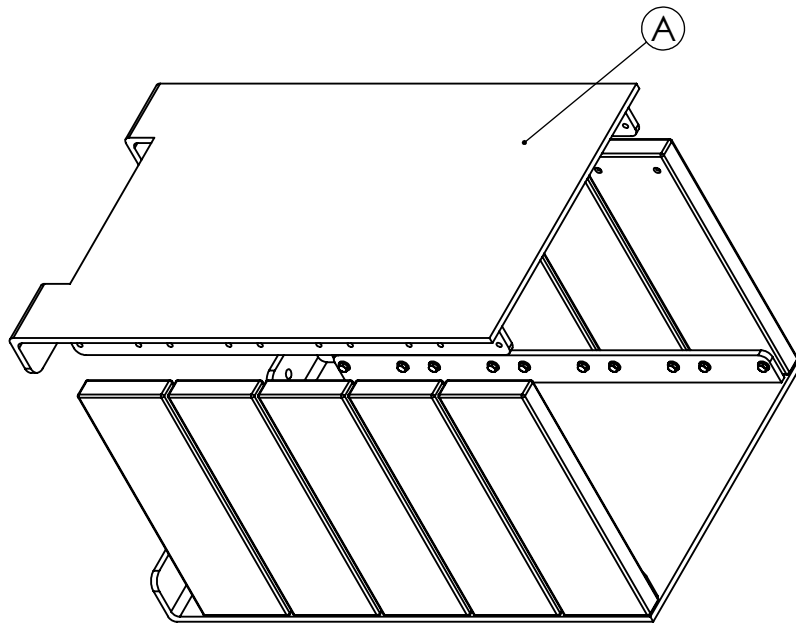
- Lay one receptacle end (A) flat on it's side
- Align one end of a plastic board (E) holes with the holes on the receptacle ends (A)
- Secure the plastic board (E) with the 1/4x1" lag screws (F) thru the 1/4" washer (G) thru the receptacle end (A) into the plastic board (E)
- Repeat for all plastic boards (E) on both sides of the receptacle end (A)



RECEPTACLE INSTRUCTIONS

STEP 2 Side Assembly

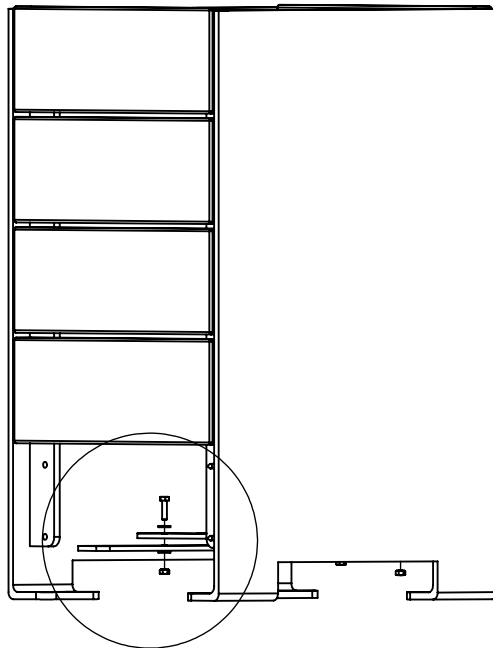
- While one receptacle end (A) is still on it's side flat with the plastic boards (E) attached, set the other receptacle end (A) in between plastic boards (E) on the opposite end
- Align one end of a plastic board (E) holes with the holes on the receptacle ends (A)
- Secure the plastic board (E) with the 1/4x1" lag screws (F) thru the 1/4" washer (G) thru the receptacle end (A) into the plastic board (E)
- Repeat for all plastic boards (E) on both sides of the receptacle end (A)



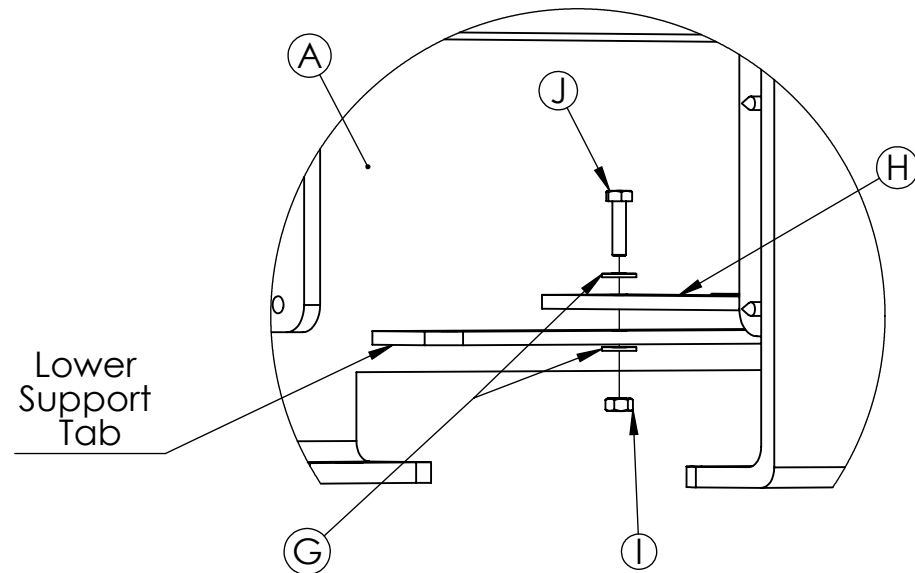
RECEPTACLE INSTRUCTIONS

STEP 3 Bottom Support Assembly

- Lay bottom slats (H) onto lower support tabs on the receptacle ends (A)
- Align the holes on the bottom slat (H) with the holes on the lower support tabs on the receptacle end (A)
- Secure the bottom slats (H) with the 1/4x1" hex head bolt (J) thru the 1/4" washer (G) thru lower tabs on the receptacle end (A) thru the 1/4" nut (I)
- Turn trash receptacle upright
- Square all components and tighten all screws



Bottom Plastic Board
Removed For Reference

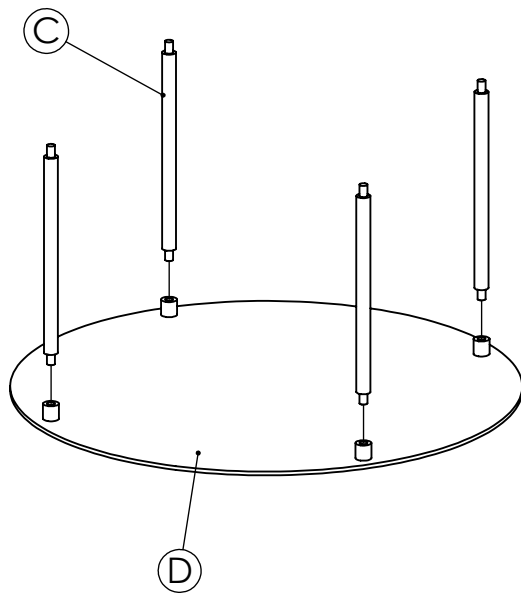


Lower
Support
Tab

RECEPTACLE INSTRUCTIONS

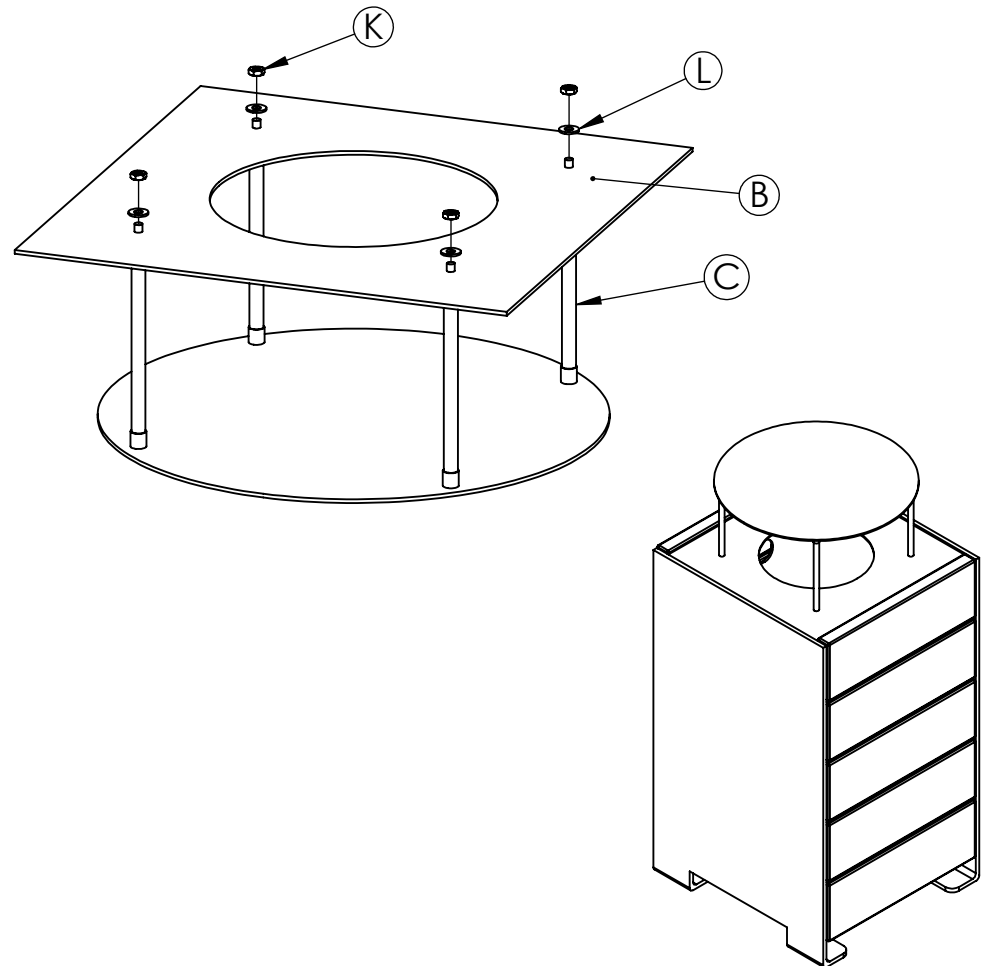
STEP 4 Lid Assembly

- Lay the rain bonnet topper (D) upside down on a flat surface
- Screw one threaded end of lid posts (C) into rain bonnet topper (D) until tight
- Repeat for all 4 lid posts (C)



STEP 5 Lid Assembly

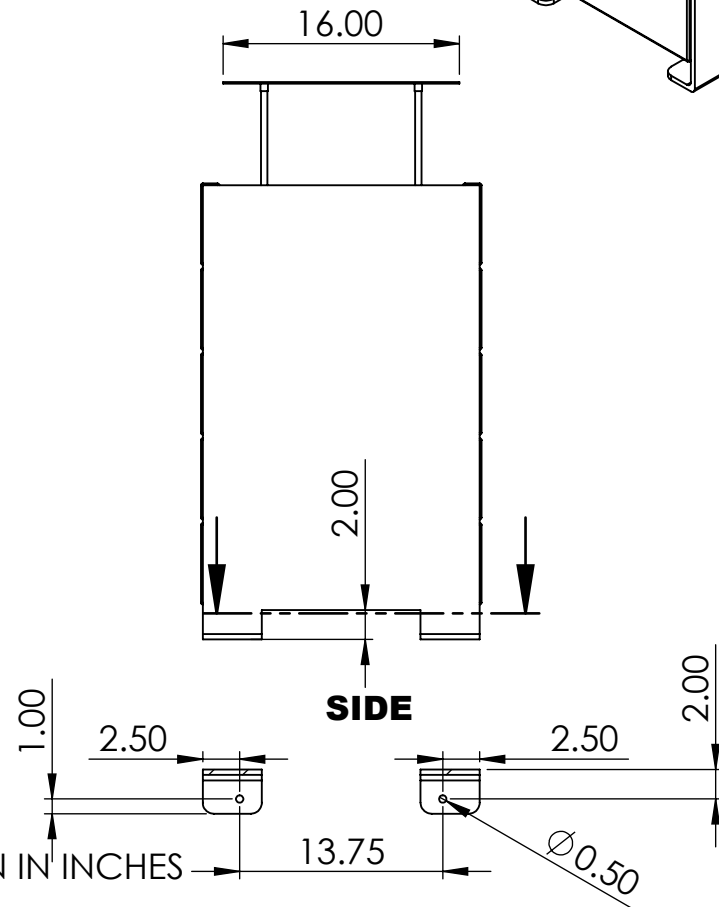
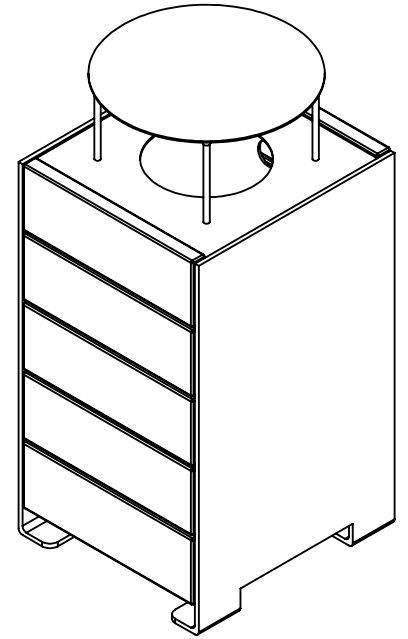
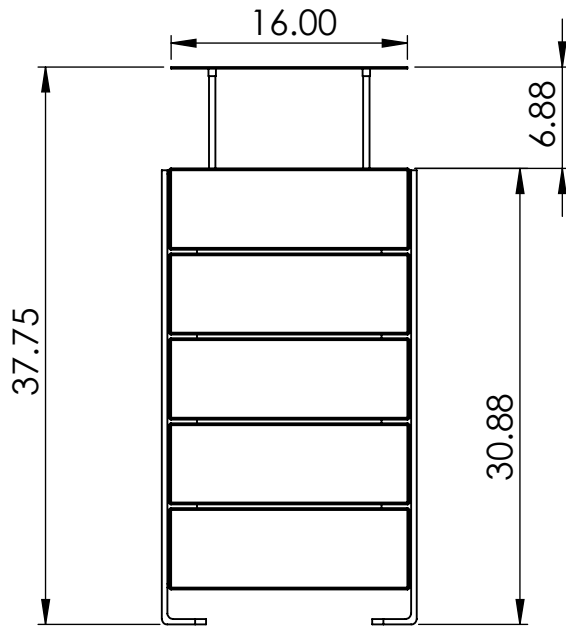
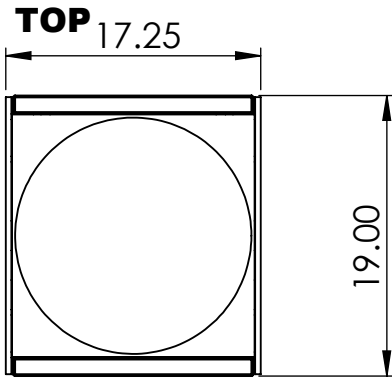
- Align the holes in the lid (B) with the threaded ends of the lid posts (C) and set into place
- Secure the lid (B) thru the threaded end of the lid posts (C) thru the M6 washer (L) into the M6 nut (K)
- NOTE: Use the hardware that came with the lid parts
- Lid Assembly is complete, set onto metal side tabs on the receptacle ends, between the plastic boards (E)



RECEPTACLE SPECIFICATIONS

TR2940

REV# 1
3/7/2017



CONSTRUCTION MATERIALS:
Recycled Plastic
HARDWARE:
Stainless Steel

ALL DIMENSIONS ARE SHOWN IN INCHES