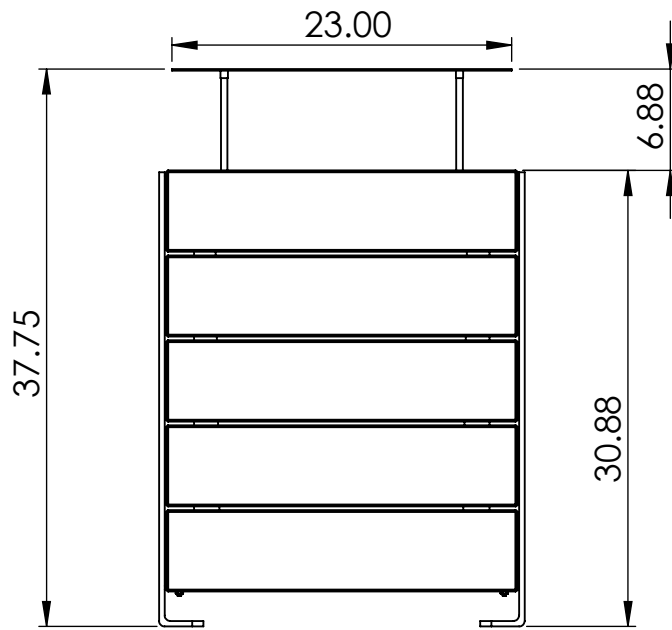
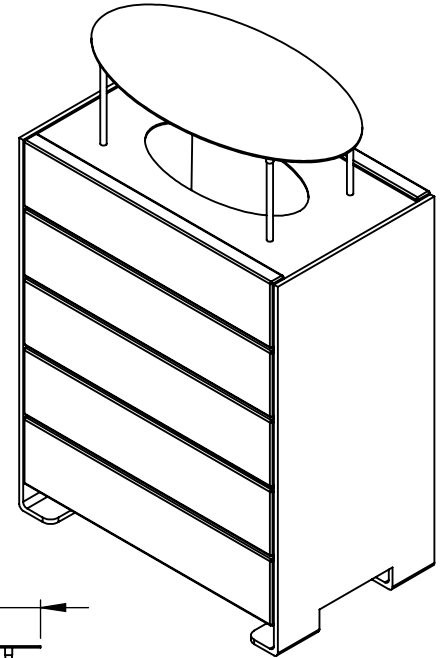
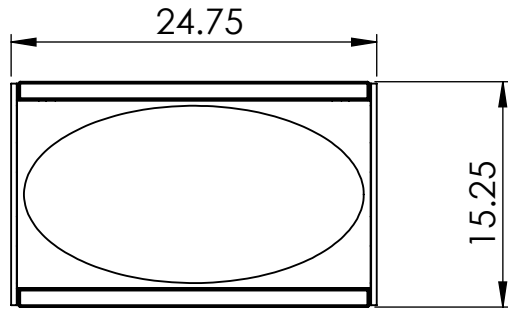


# RECEPTACLE SPECIFICATIONS

TR2950

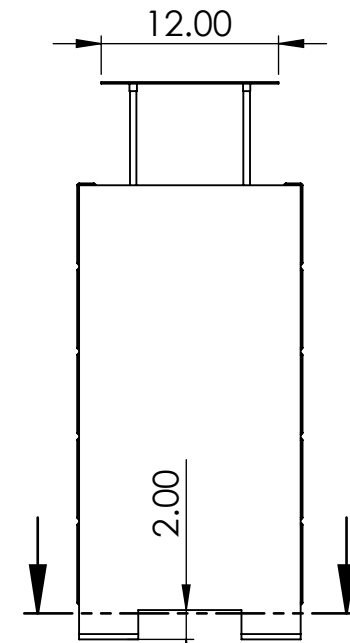
REV# 1  
3/7/2017

**TOP**

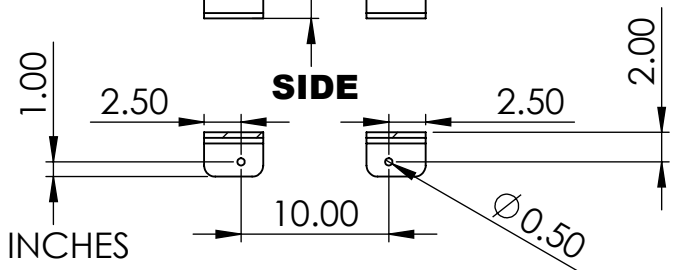


**FRONT**

**CONSTRUCTION MATERIALS:**  
Recycled Plastic  
**HARDWARE:**  
Stainless Steel



**SIDE**



ALL DIMENSIONS ARE SHOWN IN INCHES