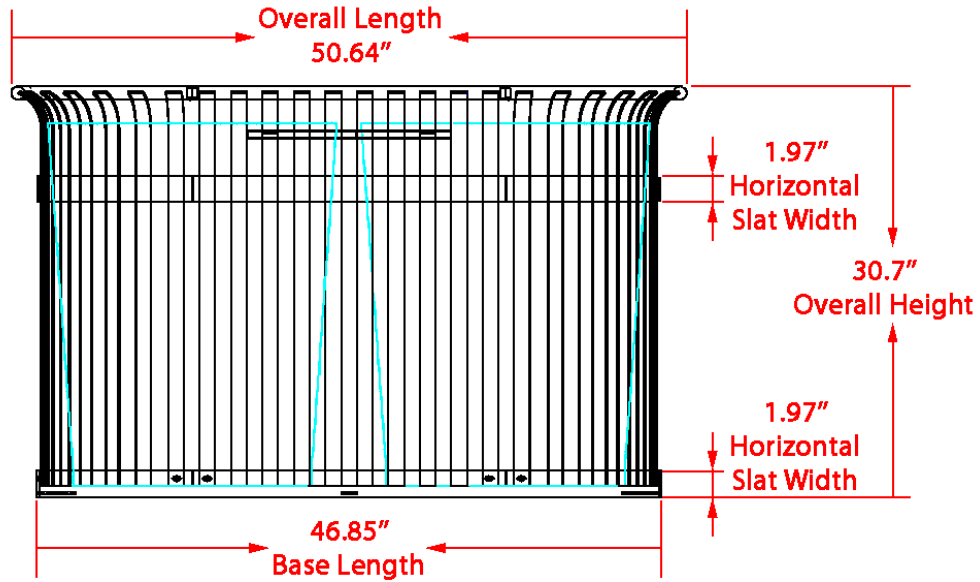
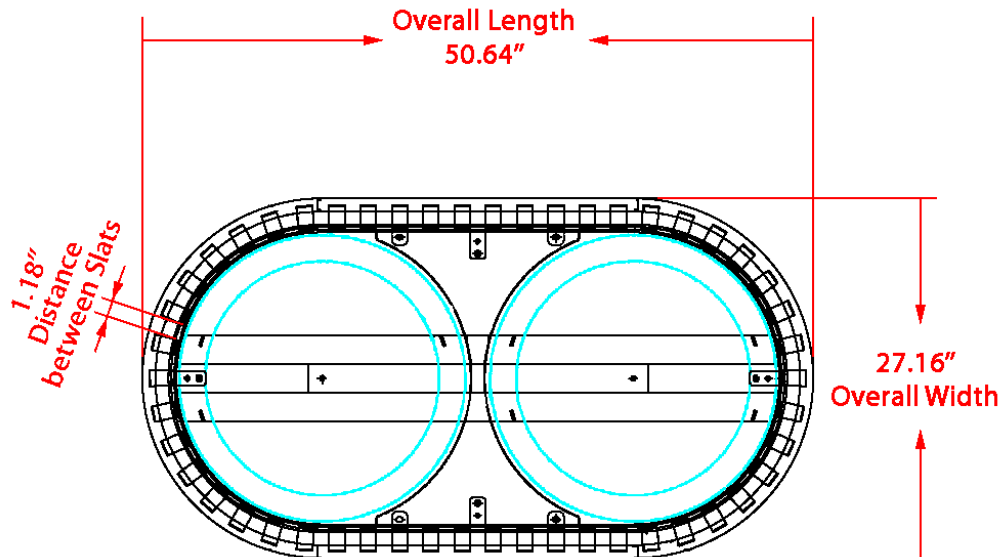


Specification Sheet

Double 32Gal. Steel Slat Receptacle



Side View



Top View

Description	Color	Dimensions	Weight
Powder coated steel	Black onyx	50.64" l x 27.16" w x 30.7" h	232 lbs.

Two-in-one waste or recycling system

Six free adhesive labels for use on the lids

Attractive solid steel design with 1 3/16" w x 3/16" thick slats

Two 32 gallon plastic liners

Two lift-off, cable-secured flat steel lids