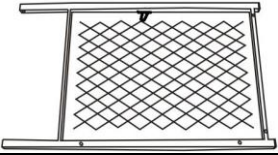
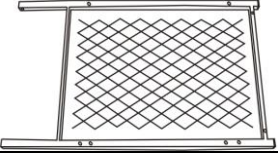
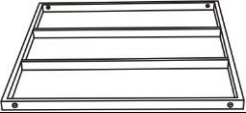
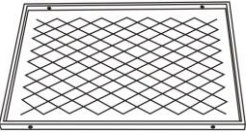
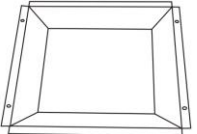

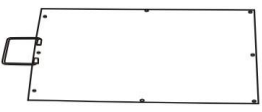

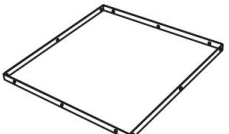

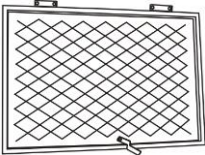
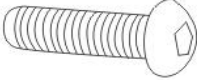
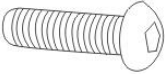

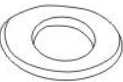





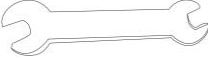

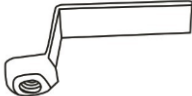


# Assembly Instructions

## 30 Gallon ALL STEEL Trash Receptacle

Before assembly, be sure that all components are included.

Part List	Description	Qty.	Drawings
A1	Left Panel	1	
A2	Right Panel	1	
B	Bottom Frame	1	
C	Back Panel	1	
D	Collar	1	
E	Dome	1	
F	Liner Panel w/ handle	2	
G	Liner Panel w/o handle	2	
H	Liner Bottom	1	
I	Top Frame	1	

J	Front Door Panel	1	
K1	Bolt (M6x30)	8	
K2	Bolt (M6x20)	12	
L	Bolt (M6x12)	24	
M	Flat Washer (M6)	36	
N	Lock Nut (M6)	28	
O	Bolt (M6x12)	4	
P	Allen Wrench	1	
Q	Trash Bag Holder	1	
R	Leg Cap (25x25) (Pre-installed)	4	
S	Hexagon Wrench	1	
T	Door Knob (Pre-installed)	1	
U	Door Latch (Pre-installed)	1	

**Tool required: Allen Wrench and Hexagon Wrench (provided), Screwdriver (not provided)**

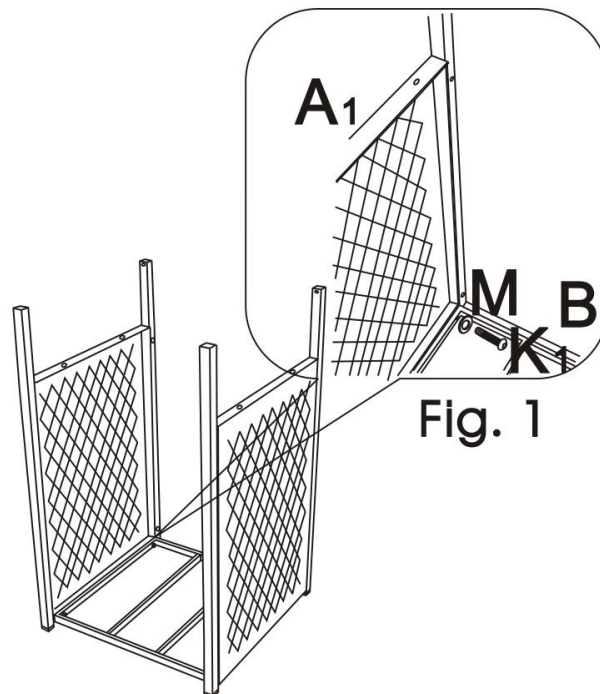


## Special Warnings

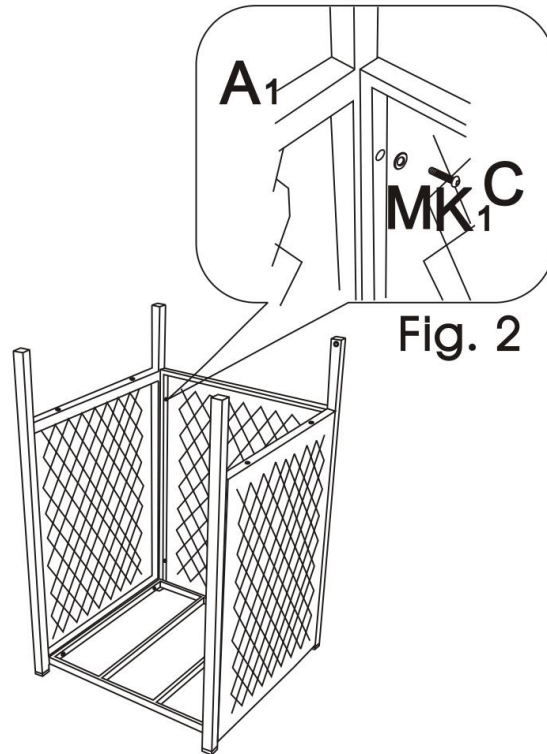
- We suggest you thoroughly read and follow this simple step-by-step assembly instruction. Portions of the assembly may be easier with two people.
- Do not discard any of the packaging until you have checked that you have all the parts.
- Plastic polybags can be dangerous. Keep the bags away from babies and children to avoid danger of suffocation.
- Set out all parts on a clear, flat and level surface.
- Assemble all parts loosely before tightening any bolts or fixing.
- Check and ensure that all bolts are fully tightened when finished assembling, but **DO NOT** over tighten.

### Assembly Steps:

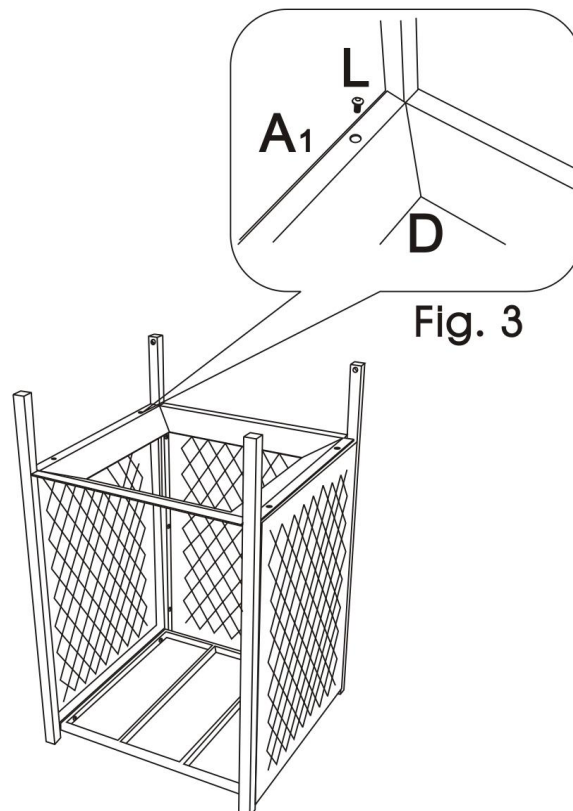
**Step # 1:** Place Bottom Panel (B) on a clean and flat surface. Attach Left Panel (A1) and Right Panel (A2) to Bottom Frame (B) by using 4pcs Bolts (K1) and 4pcs Flat Washers (M). **Hand tighten!**



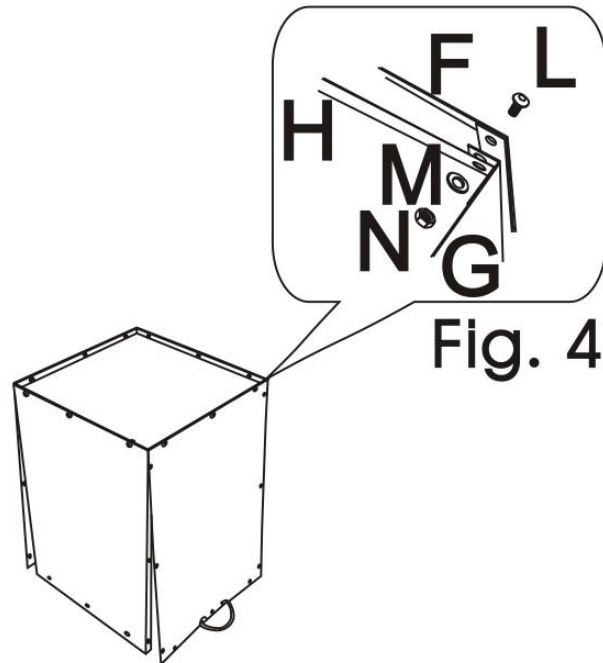
**Step # 2:** Attach Back Panel (C) to the Left Panel (A1), Right Panel (A2) and Bottom Frame (B) by using 4pcs Bolts (K1) and 4pcs Flat Washers (M) . **Hand tighten!**



**Step # 3:** Place Collar (D) onto the assembled frame, secure it using 4pcs bolts (L). **Hand tighten!**

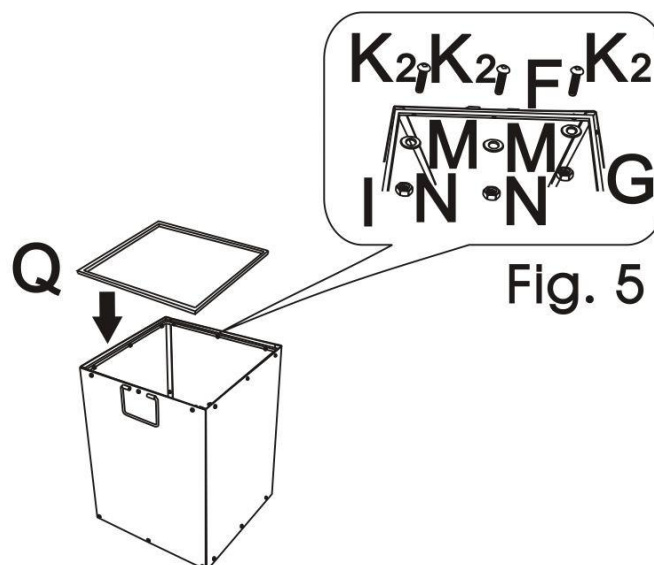


**Step # 4:** Next, We need to build the Inner bucket. Attach Liner Panel w/o handle (G) to Liner Bottom (H) using 6pcs Bolts (L), 6pcs Flat Washers (M) and 6pcs Lock Nuts (N). Then repeat the same step for attaching Liner Panel w/ handle (F) to Liner Bottom (H) by using 6pcs Bolts (L), 6pcs Flat Washers (M) and 6pcs Lock Nuts (N). Fix four Panels by 4pcs Bolts (L), 4pcs Flat Washers (M) and 4pcs Lock Nuts (N). Repeat these steps to complete outside walls of the Inner bucket.



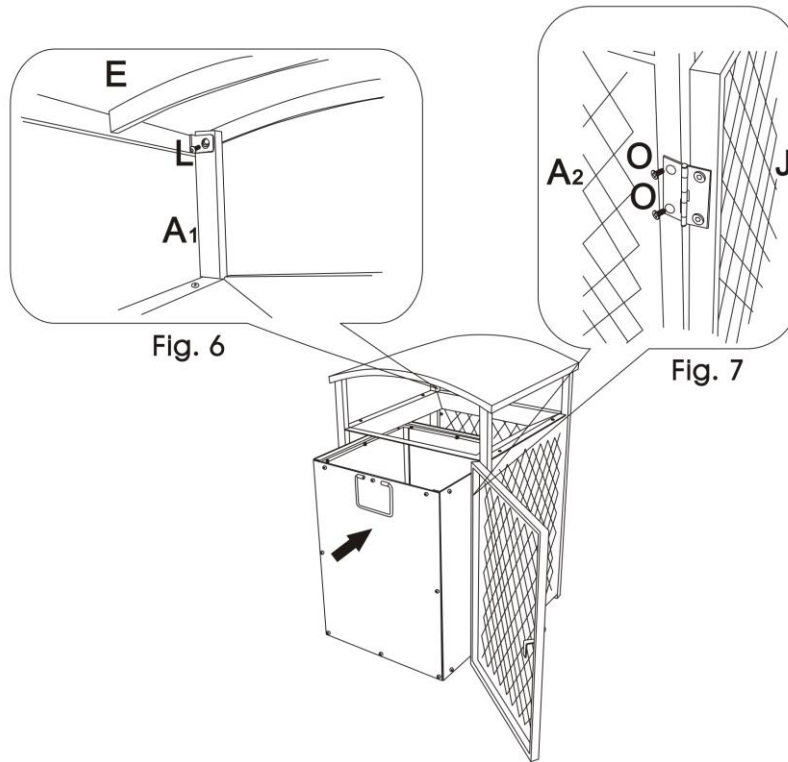
**Step # 5:** Then turn the assembled inner bucket over so that it sits securely on a flat surface. Insert Top Frame (I) to bucket, and secure it to panels by using 12pcs Bolts (K<sub>2</sub>), 12pcs Flat Washers (M) and 12pcs Lock Nuts (N). **Tighten all the bolts and nuts by Allen Wrench (P) and Hexagon Wrench (S) (provided) , but DO NOT over tighten!**

Now, you can insert 33 gallon trash bag over the inner bucket and secure in place using Trash Bag Holder (Q).

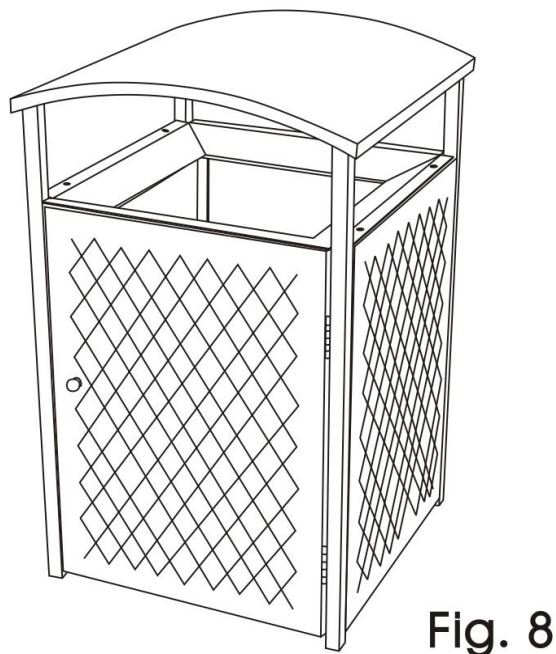


**See detailed instruction on the last page**

**Step # 6 & 7:** Place Dome (E) onto the assembled outer frame and secure it by 4pcs Bolts (L). Attach Front Door Panel (J) to the assembled outer frame and secure it by 4pcs Bolts (O) with Screwdriver (not provided). Now you can slide inner bucket into outer frame as shown below.



**Step # 8:** Now your product is ready for use !



Assembly instruction for Step 5

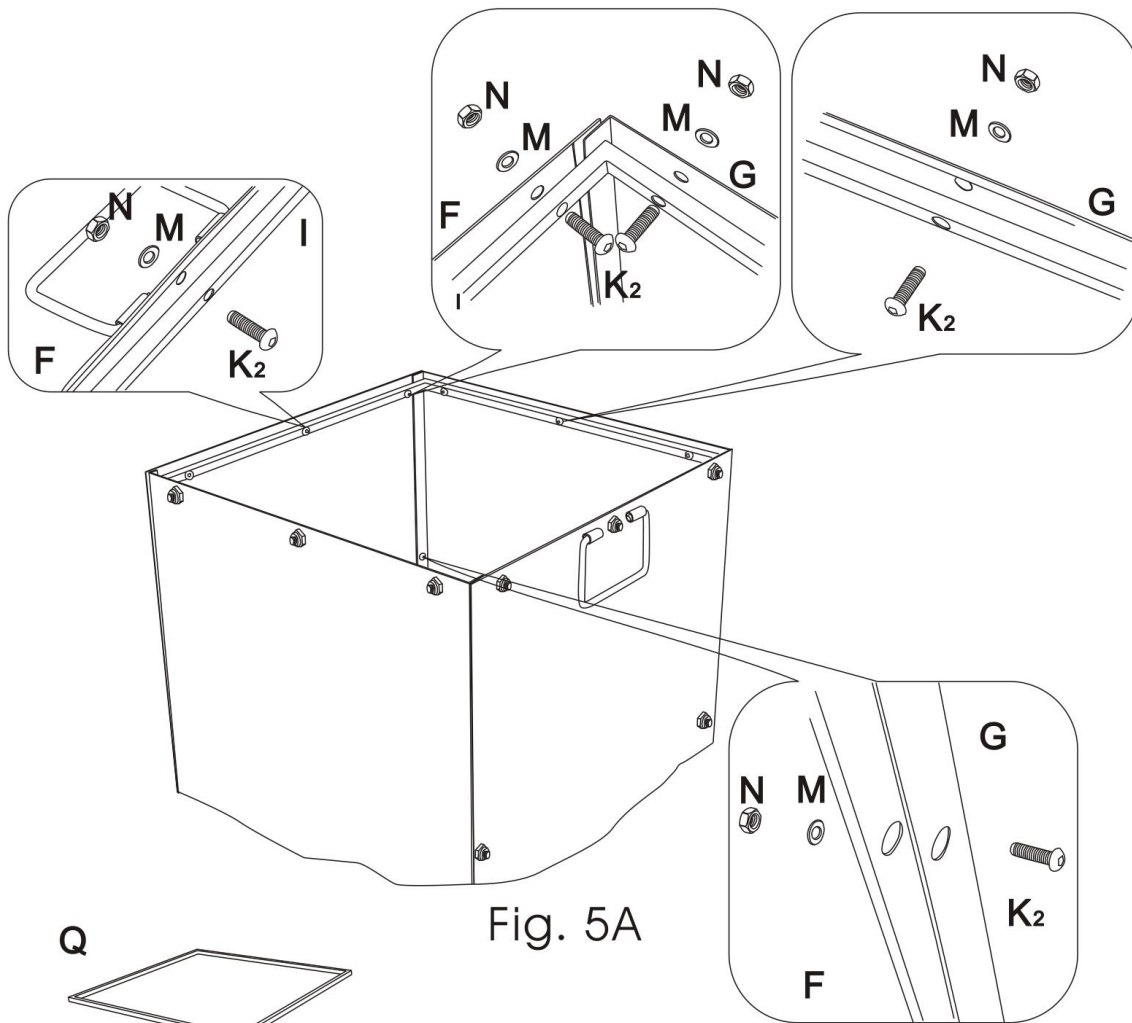


Fig. 5A

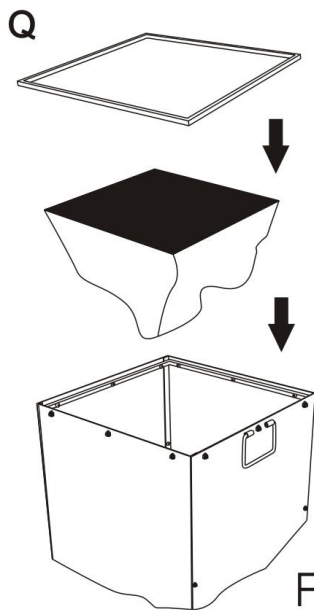


Fig. 5B

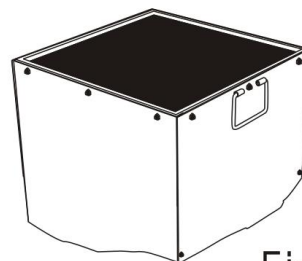


Fig. 5C