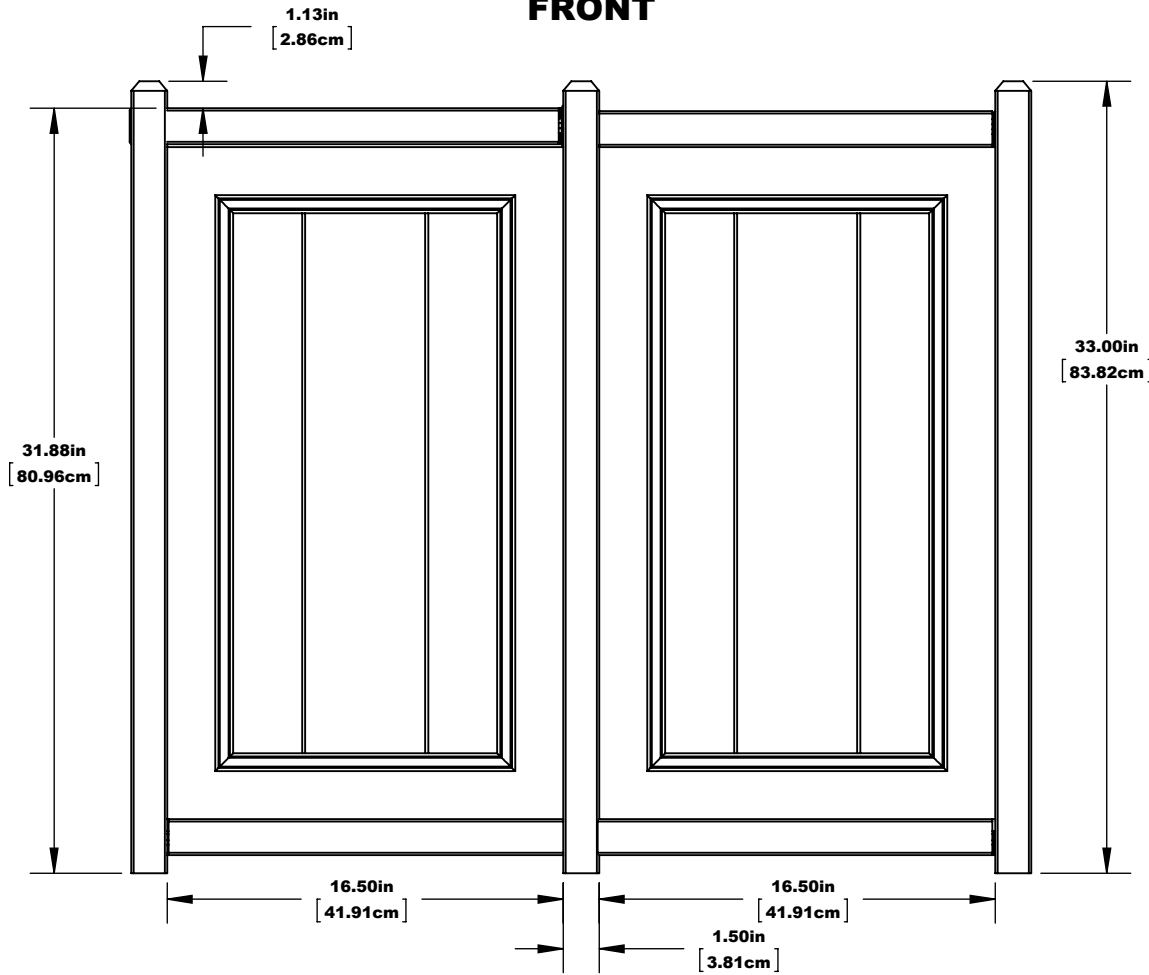


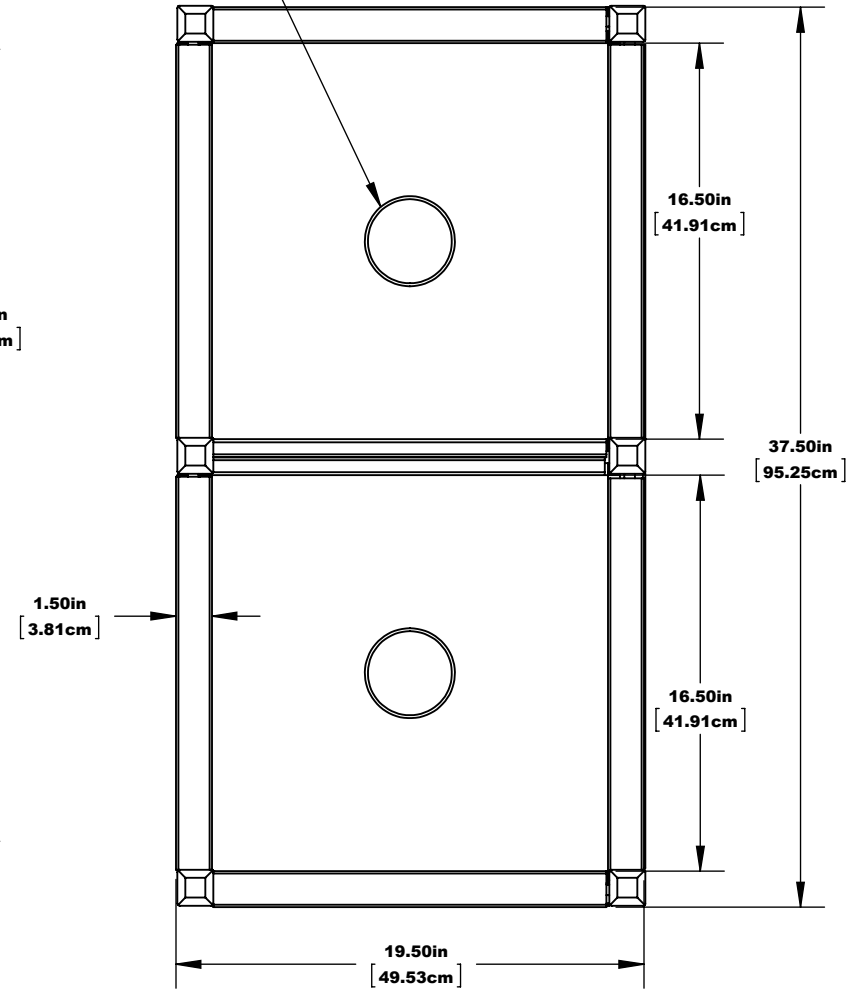
TWO 33 GALLON TOP LOAD RECYCLING CONTAINER

FRONT



HOLE OPENING DESIGNATED BY ENGRAVED MESSAGE

TOP



HARDWARE: STAINLESS STEEL
MATERIAL: RECYCLED PLASTIC