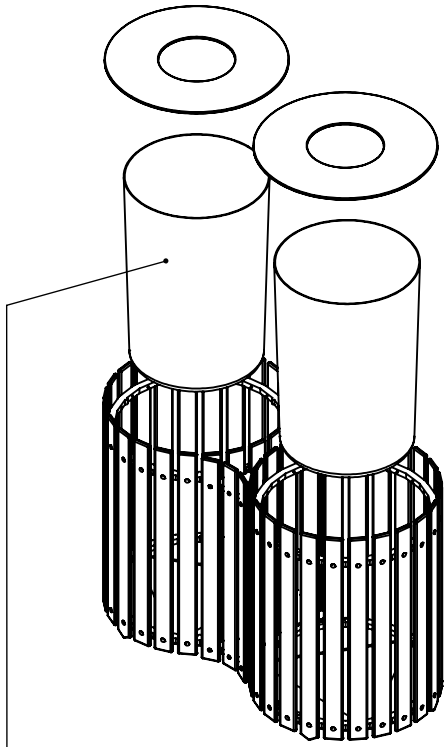


TWO 32 GALLON SIDE LOAD ROUND TRASH RECEPTACLE

UNLOADING DETAILS



32 GALLON LINER
INCLUDED

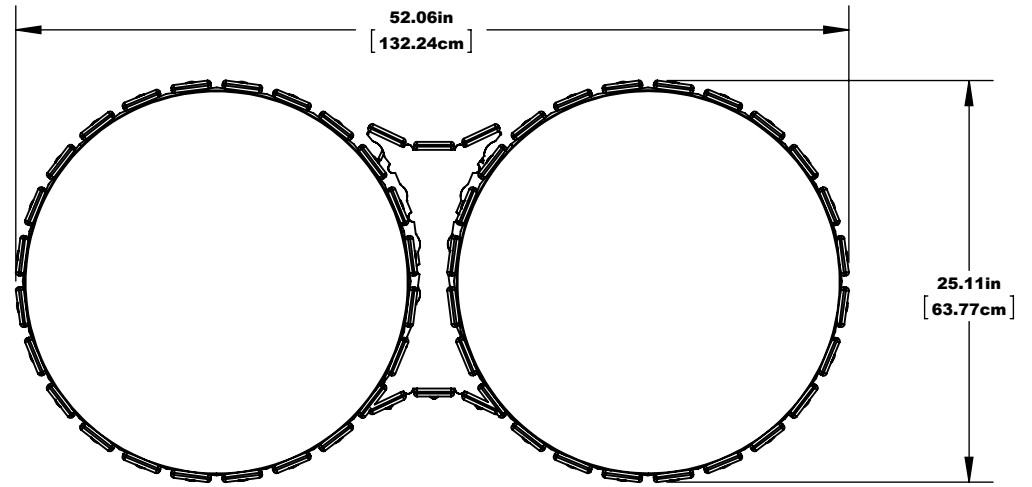
CONSTRUCTION MATERIALS:

SLATS - 1/2 X 2 1/2 RECYCLED PLASTIC LUMBER

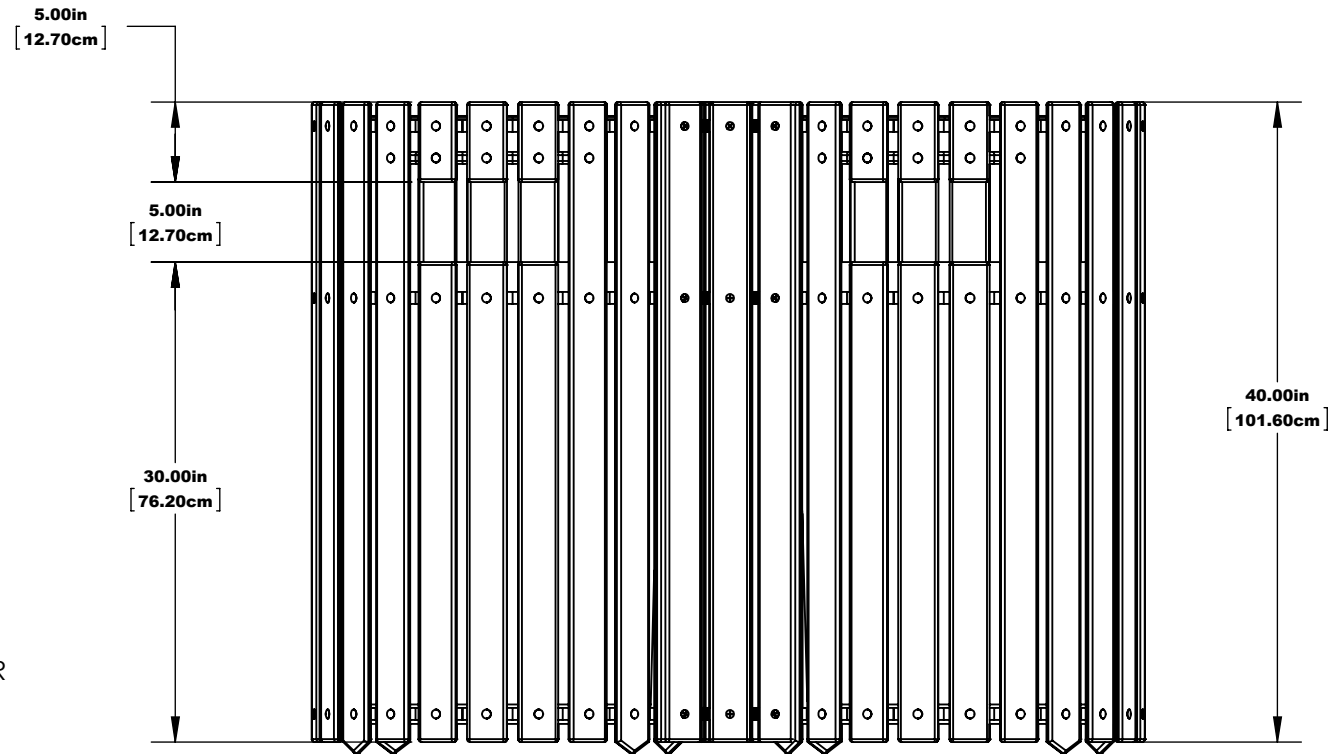
FRAME - RECYCLED PLASTIC LUMBER

HARDWARE:

STAINLESS STEEL, ALUMINUM



TOP



SIDE