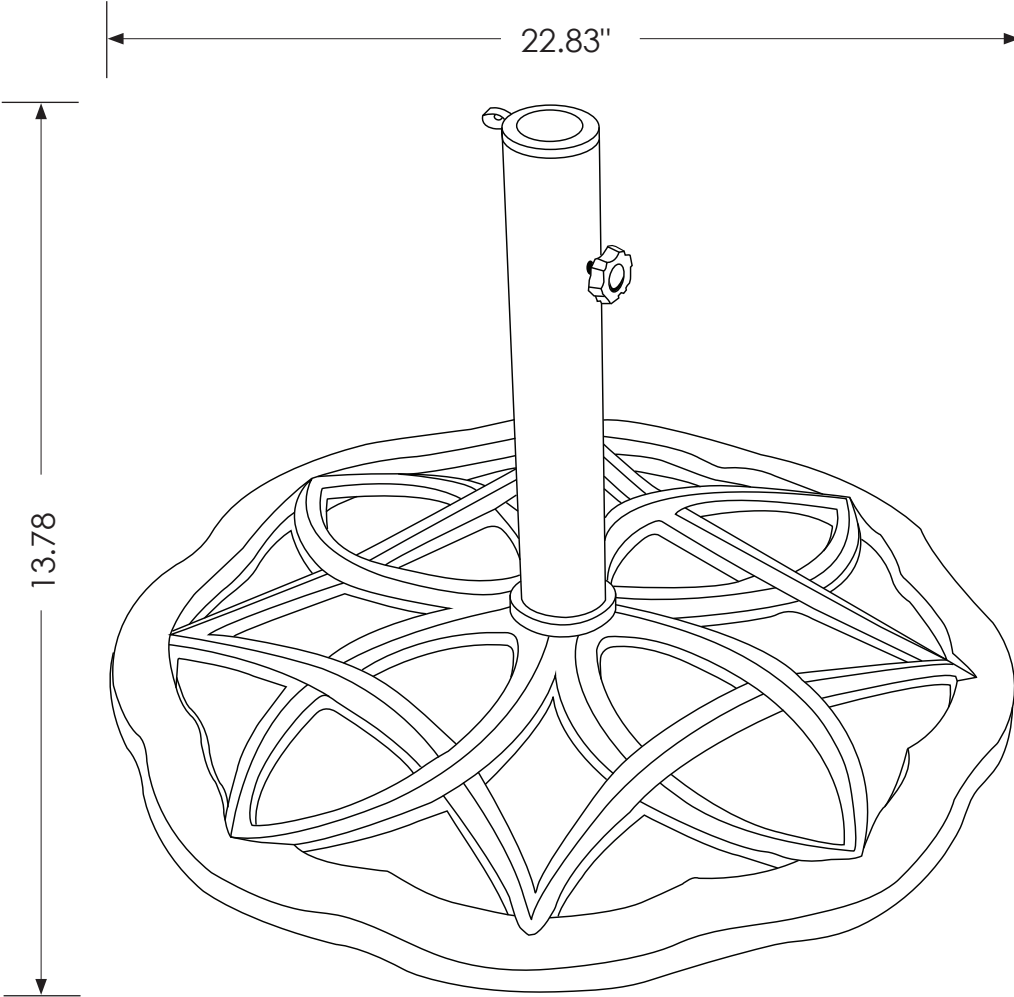


# CAST-IRON UMBRELLA BASE SPECIFICATIONS



.....  
**TOTAL WEIGHT:** 38 lbs  
.....

**NOTES:** 1) Material: Cast iron