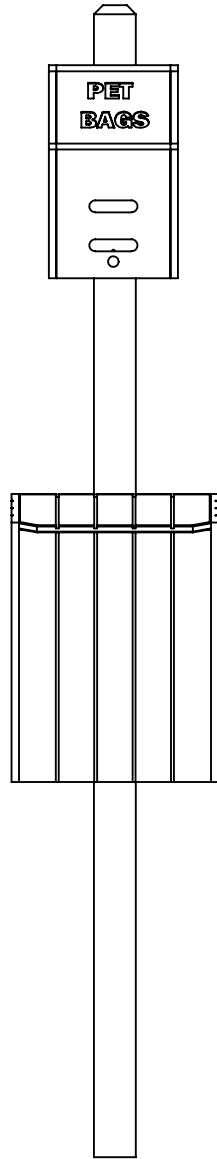


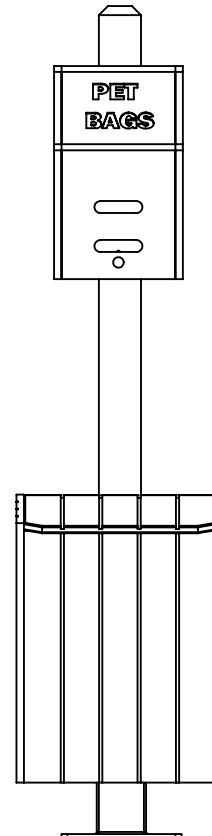
# INSTRUCTIONS

## PW3015 - PW3020

REV# 1

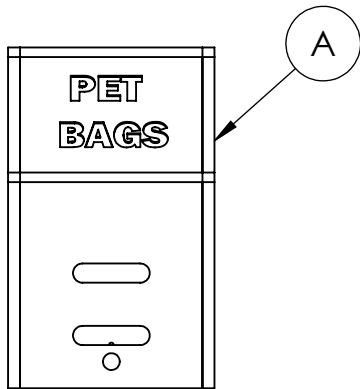


INGROUND MOUNT

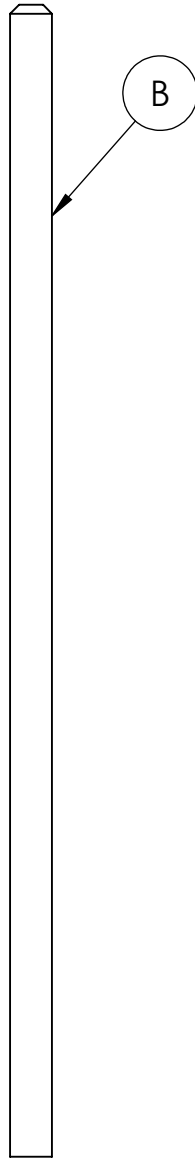


SURFACE MOUNT

# INSTRUCTIONS PW3015 - PW3020



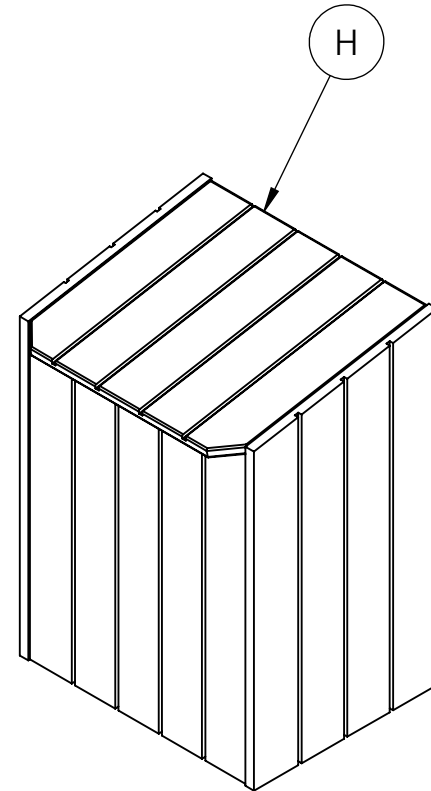
**1**  
Dispenser



**1**  
Inground Post



**1**  
Surface Mount  
Post



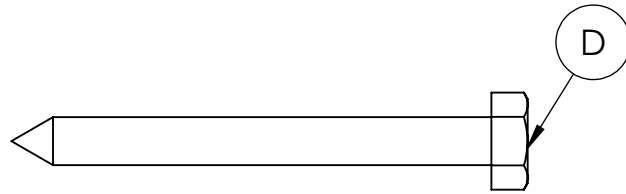
**1**  
RECEPTACLE

**REQUIRED TOOLS  
(NOT INCLUDED)**  
**1 - 7/16" WRENCH**

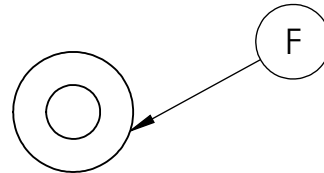
**HARDWARE &  
TOOLS REQUIRED  
FOR ASSEMBLY**

**2/6**

# INSTRUCTIONS PW3015 - PW3020



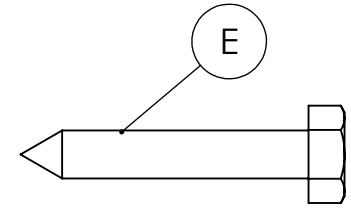
**4**  
1/4" x 2.5" Lag Screw



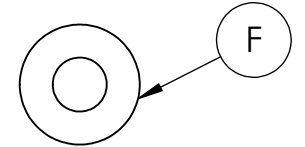
**4**  
1/4" Flat Washer

**REQUIRED TOOLS  
(NOT INCLUDED)**  
1 - 7/16" WRENCH

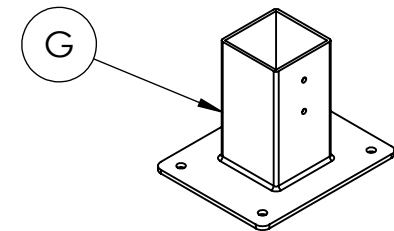
## SURFACE MOUNT HARDWARE



**2**  
1/4" x 1.5" Lag Screw



**2**  
1/4" Flat Washer



**1**  
Surface Mount Base

**HARDWARE &  
TOOLS REQUIRED  
FOR ASSEMBLY**

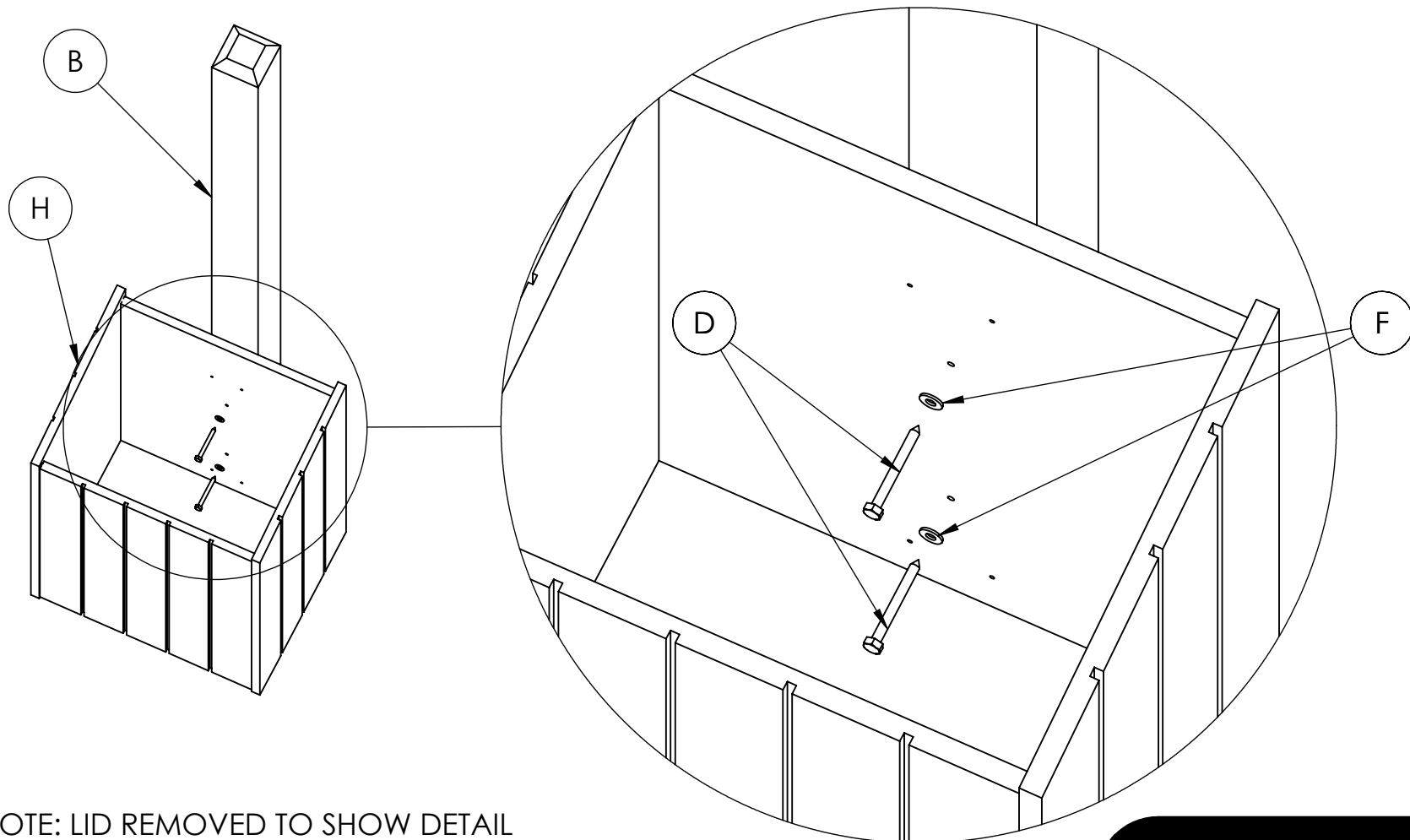
**3/6**

# INSTRUCTIONS

## PW3015 - PW3020

### Mount the Receptacle

- Locate the the predrilled pilot holes toward the bottom of the inground mount post (B)
- Align the pilot holes in the post with the predrilled holes in the receptacle (H)
- Secure the receptacle to the post with two 1/4" x 2.5" lag screws (D) and flat washers (F)



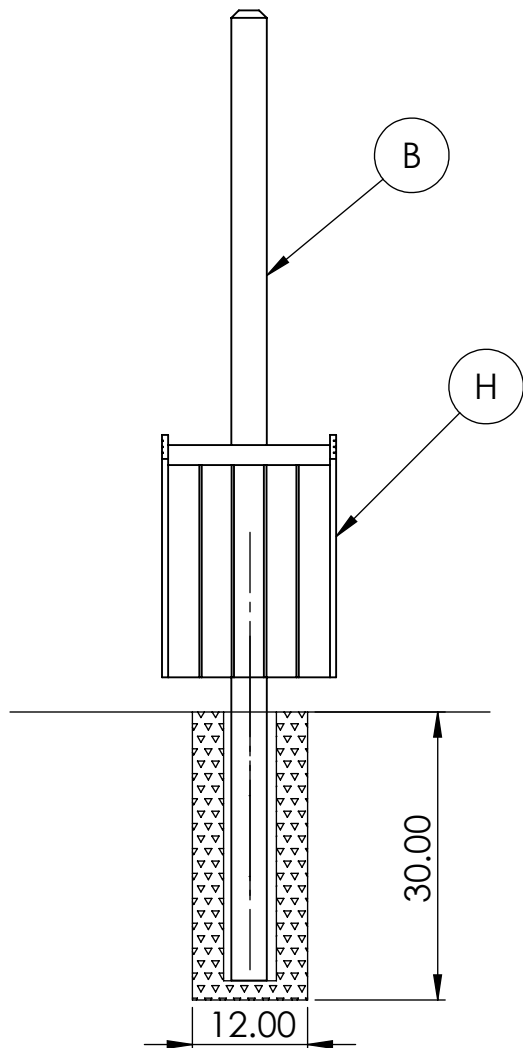
NOTE: LID REMOVED TO SHOW DETAIL

# INSTRUCTIONS

## PW3015 - PW3020

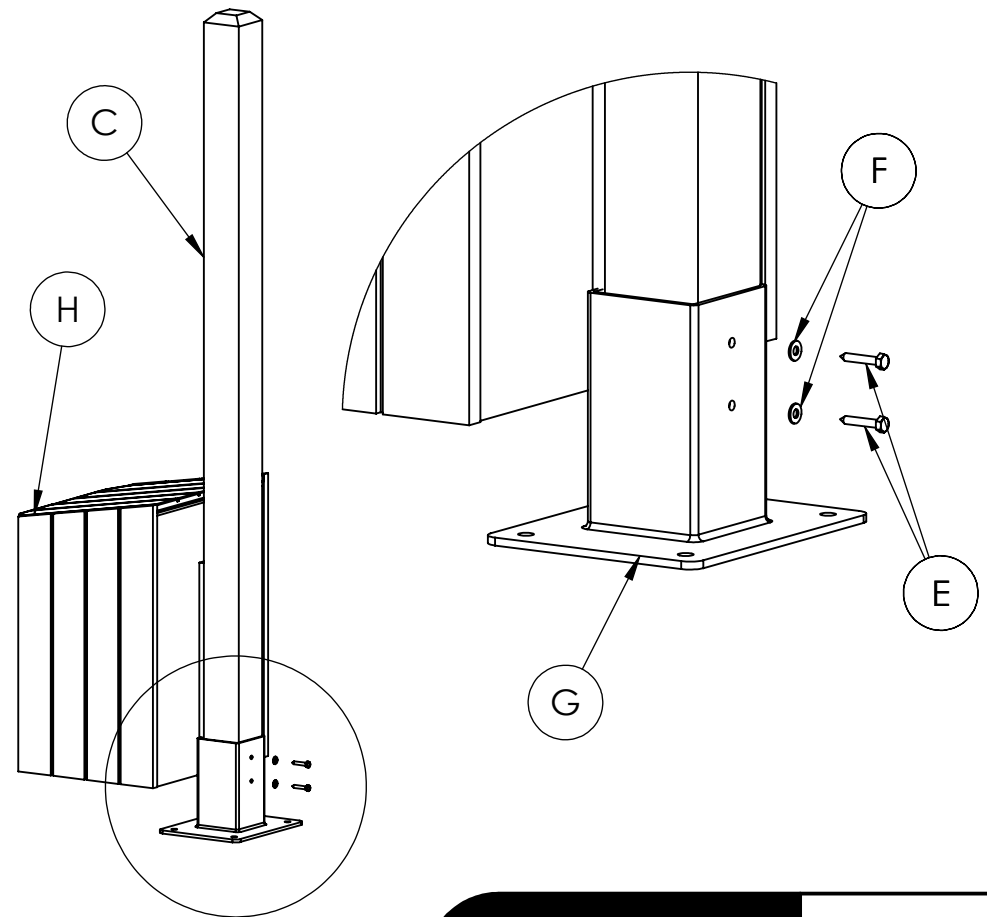
### Inground Mount

- Dig a hole 12 inches in diameter to a depth of 20 to 30 inches
- The receptacle can sit on the ground or above the ground if desired
- Insert the inground mount post (B) into the hole
- Level the post with the ground
- Pour concrete into the hole and allow to set



### Surface Mount

- Insert the post (C) into the surface mount base (G)
- Secure the post to the base with 2 .25" x 1.5" lag screws (E) and washers (F) provided
- Place the post upright in desired location
- Square the post assembly to the ground
- Attach the surface mount base to the ground using appropriate hardware (not included)



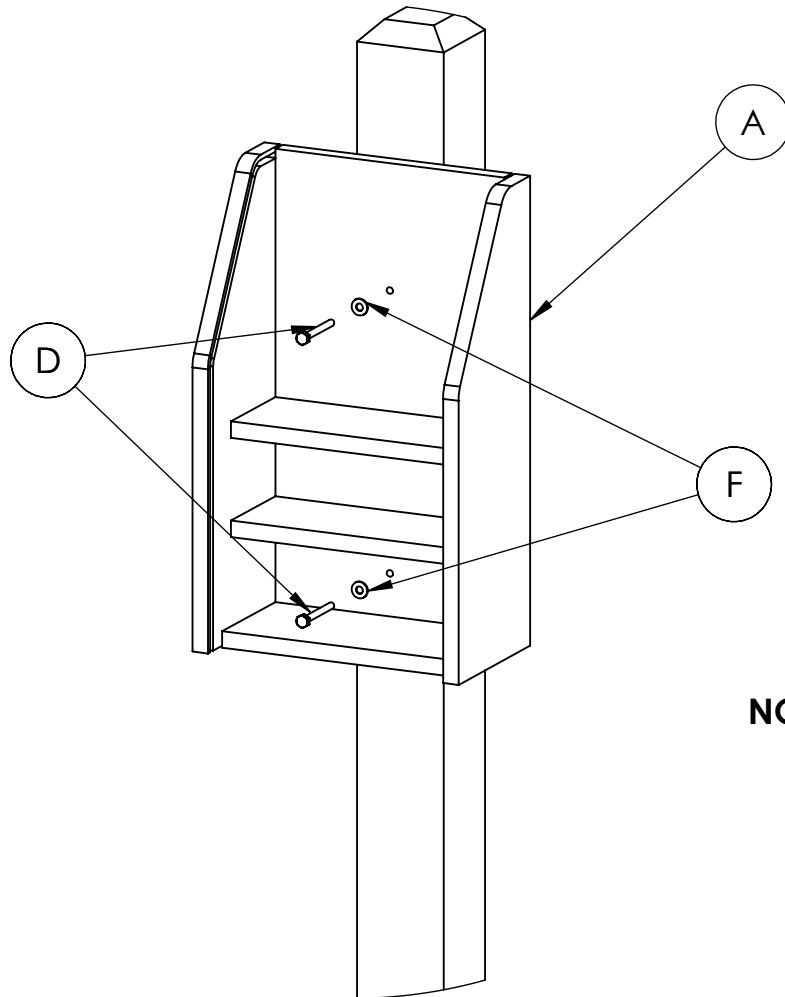
**MOUNT  
POST**

**5/6**

## INSTRUCTIONS PW3015 - PW3020

### Attach the Dispenser

- Align the predrill holes in the dispenser with the predrilled holes in the post
- Secure the dispenser to the post with two 2.5" lag screws (D) and washers(F)



**NOTE:** Lid removed to show detail

# PW3015-PW3020

NOTE: ALL MATERIAL IS RECYCLED PLASTIC LUMBER UNLESS NOTED  
ALL DIMENSIONS SHOWN IN INCHES

