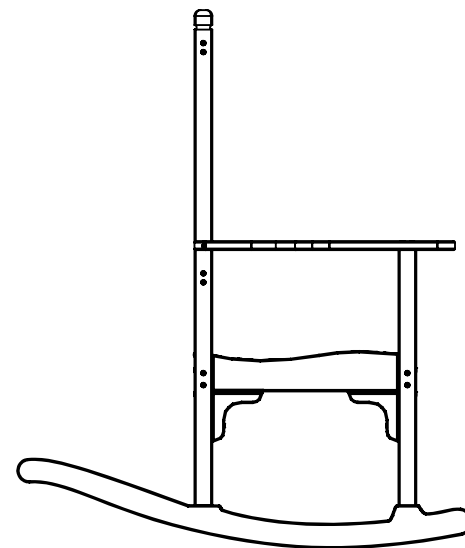
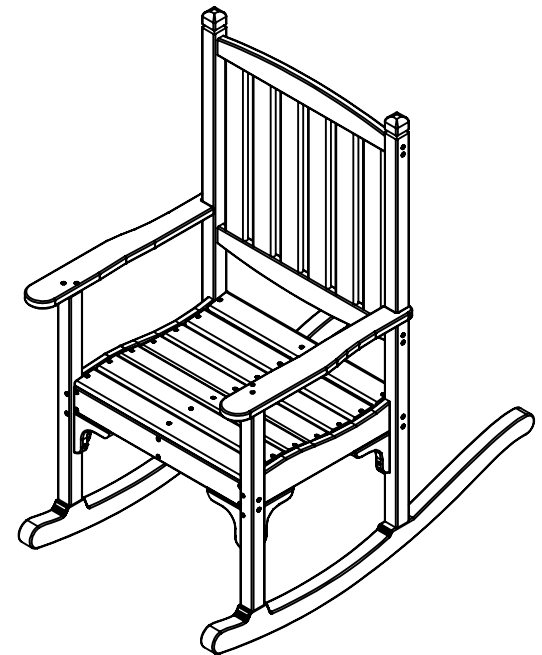
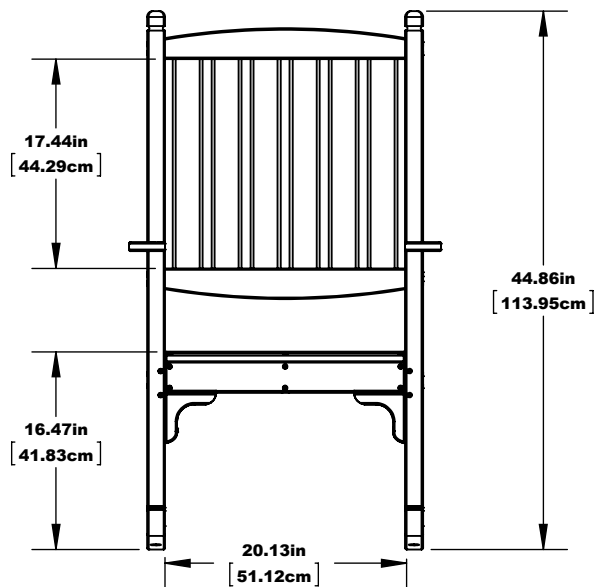
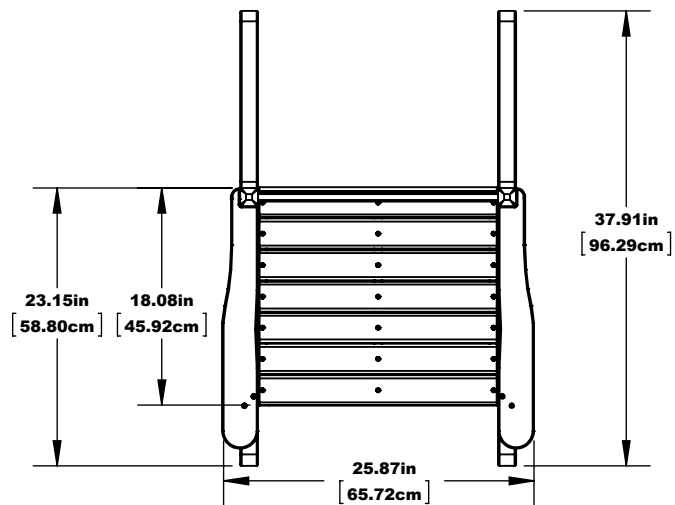


BENCH SPECIFICATIONS

BC1380



CONSTRUCTION MATERIALS:
Recycled Plastic
HARDWARE:
Stainless Steel