

**TABLE ASSEMBLY
INSTRUCTIONS
TB1600**

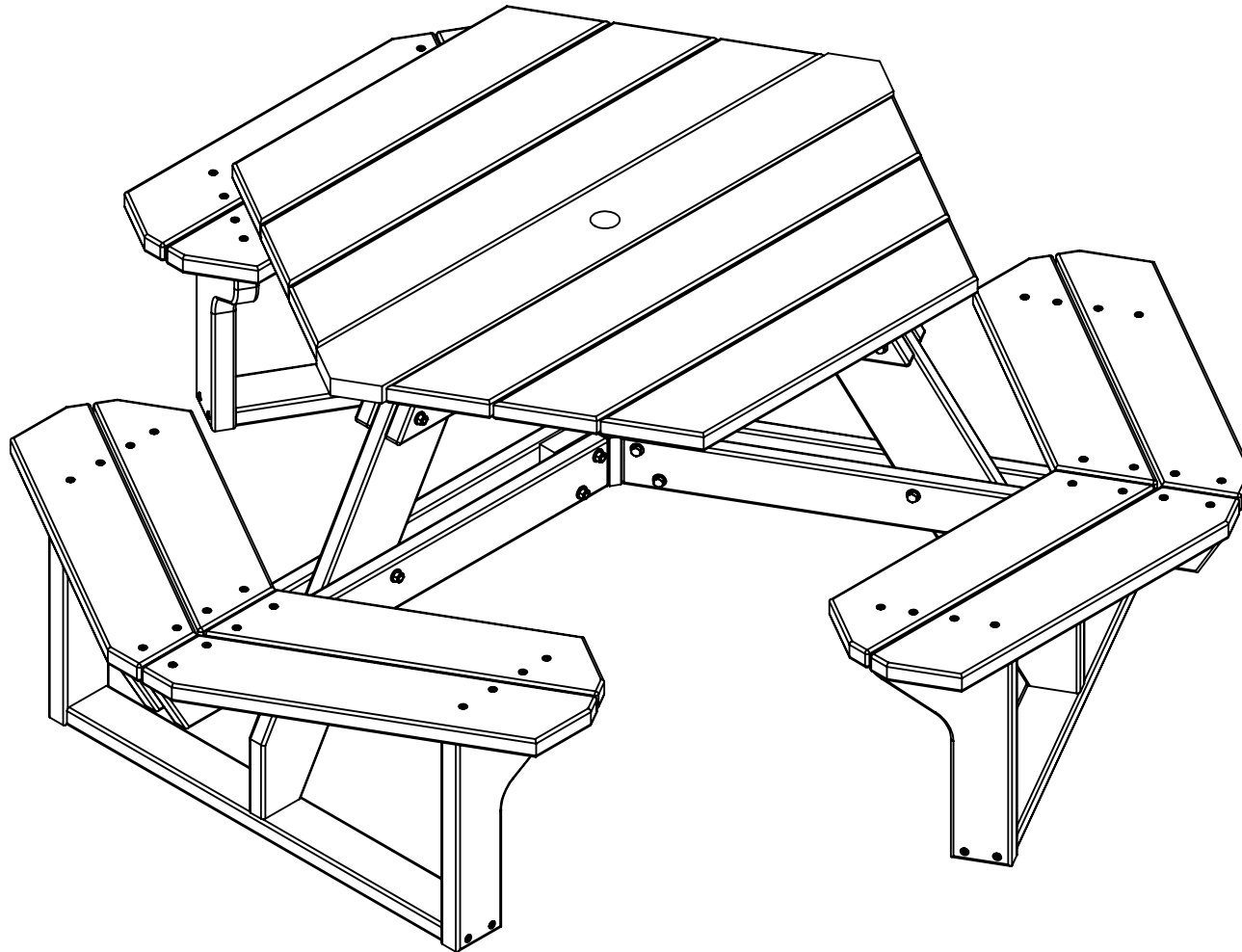


TABLE ASSEMBLY INSTRUCTIONS TB1600

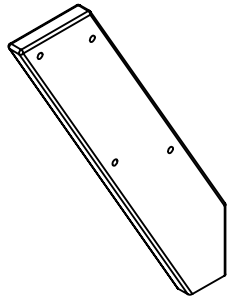
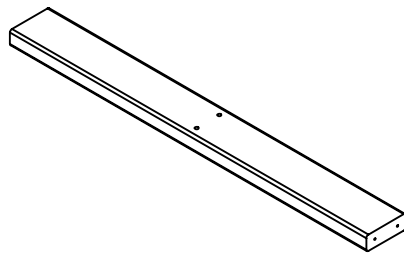


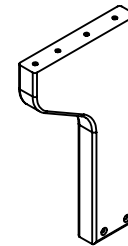
TABLE LEG
X3
ATB-P0086



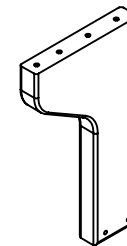
STRETCHER
X3
ATB-P0087



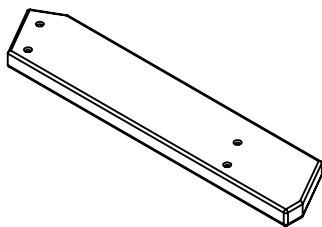
SPACER
X3
ATB-P0091



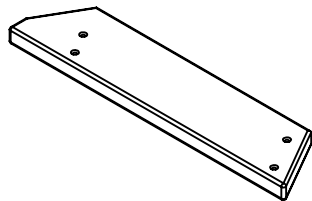
LEFT SEAT LEG
X3
ATB-P0089



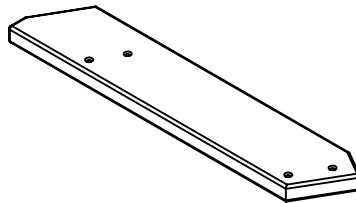
RIGHT SEAT LEG
X3
ATB-P0090



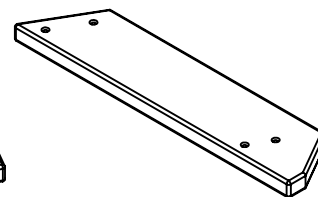
LEFT REAR SEAT
X3
ATB-P0105



LEFT FRONT SEAT
X3
ATB-P0106



RIGHT REAR SEAT
X3
ATB-P0107



RIGHT FRONT SEAT
X3
ATB-P0108

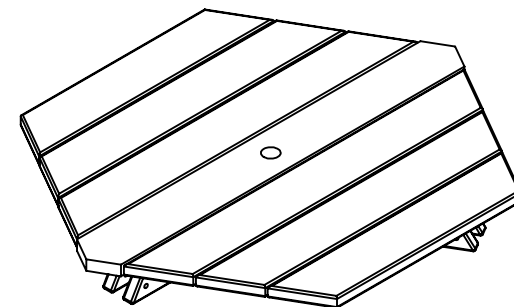
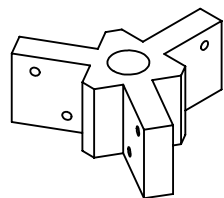
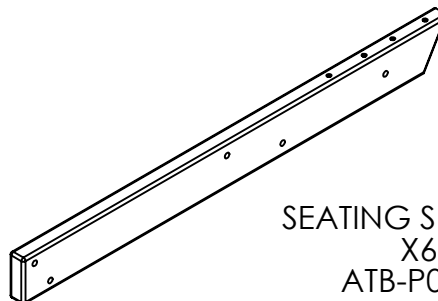


TABLE TOP ASSEMBLY
X1
ATB-A0061



HUB CONNECTOR
X1
ATB-P0096

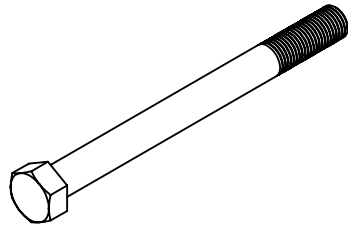


SEATING SUPPORT
X6
ATB-P0092

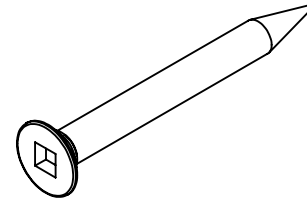
**COMPONENTS
REQUIRED FOR
ASSEMBLY**

1/10

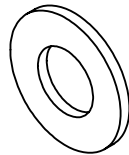
TABLE ASSEMBLY INSTRUCTIONS TB1600



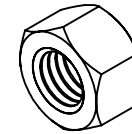
3/8" X 4.25" HEX HEAD BOLT
X21
F0001



#12 X 2.5" DECK SCREW
X66
F0002



3/8" FLAT WASHER
X42
F0003



3/8" NYLOCK NUT
X21
F0004

REQUIRED TOOLS (NOT INCLUDED)

- 1 - 9/16" WRENCH
- 1 - 9/16" SOCKET
- 1 - SCREW GUN
- 1 - RUBBER Mallet
- 1 - #3 SQUARE DRIVE BIT

NOTE: IT IS IMPORTANT TO KEEP ALL BOLTS FINGER TIGHT DURING ASSEMBLY UNTIL ENTIRE TABLE IS ASSEMBLED

**HARDWARE &
TOOLS REQUIRED
FOR ASSEMBLY**

2/10

TABLE ASSEMBLY INSTRUCTIONS TB1600

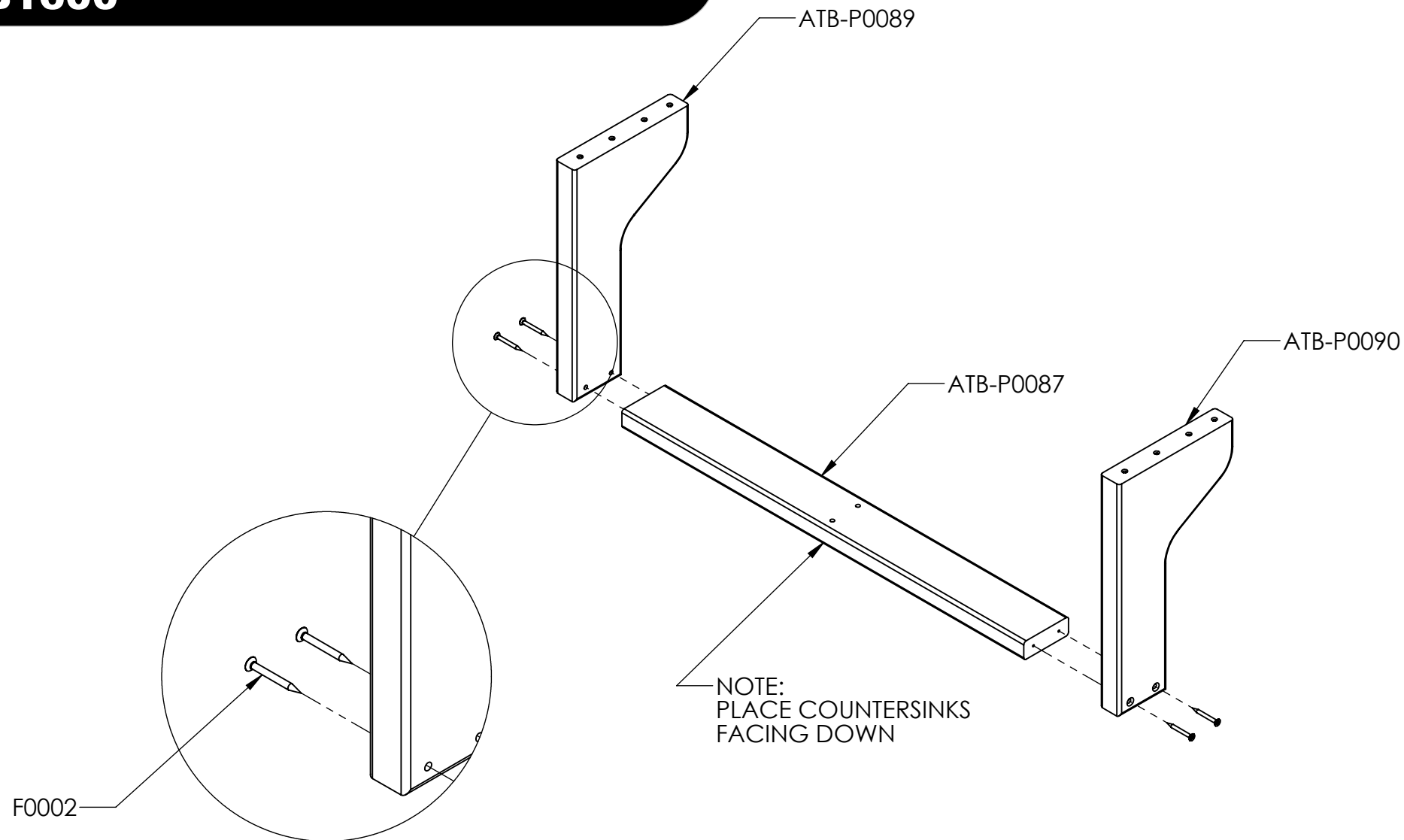
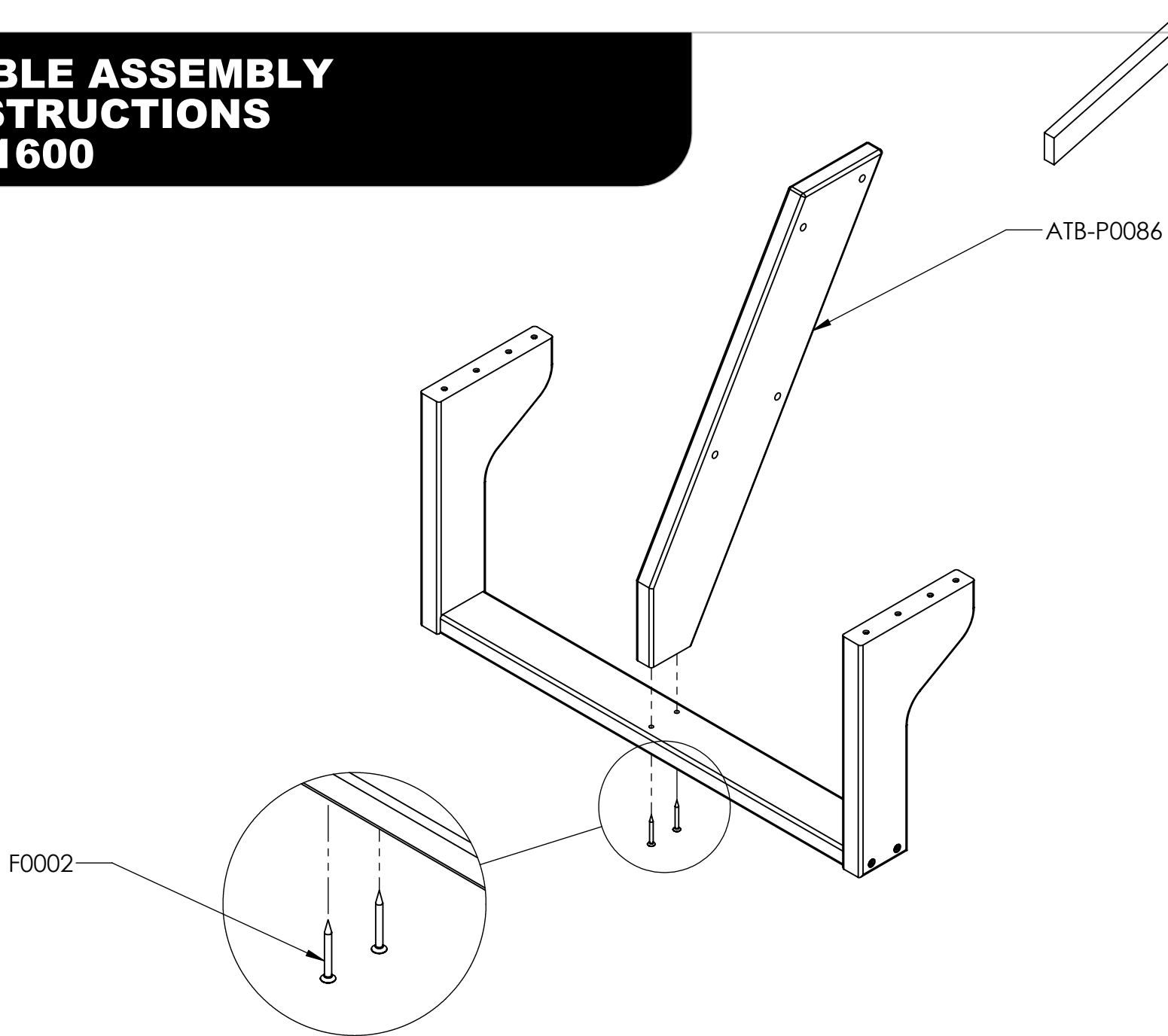


TABLE ASSEMBLY INSTRUCTIONS TB1600



**ATTACH
TABLE LEG**

4/10

TABLE ASSEMBLY INSTRUCTIONS TB1600

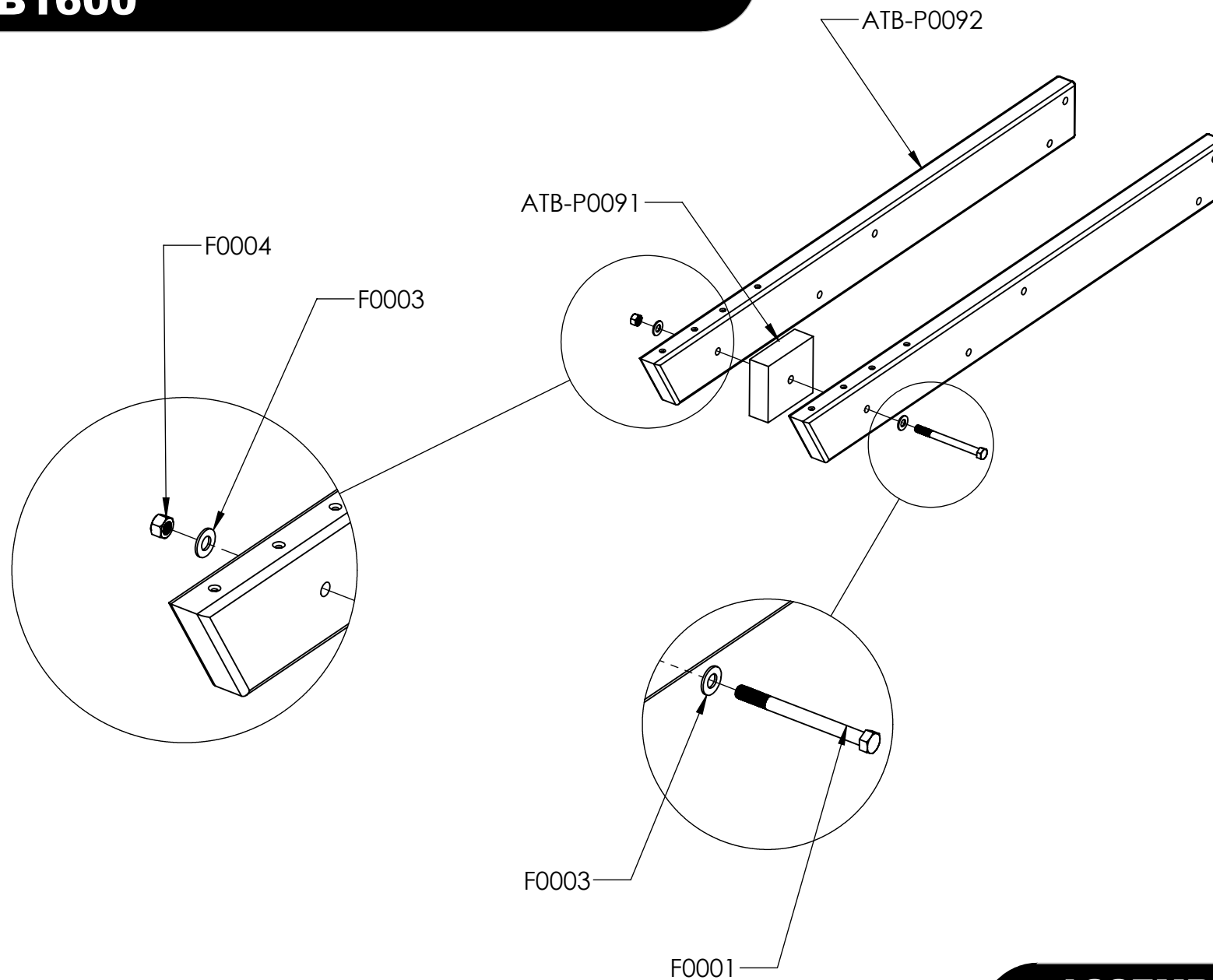
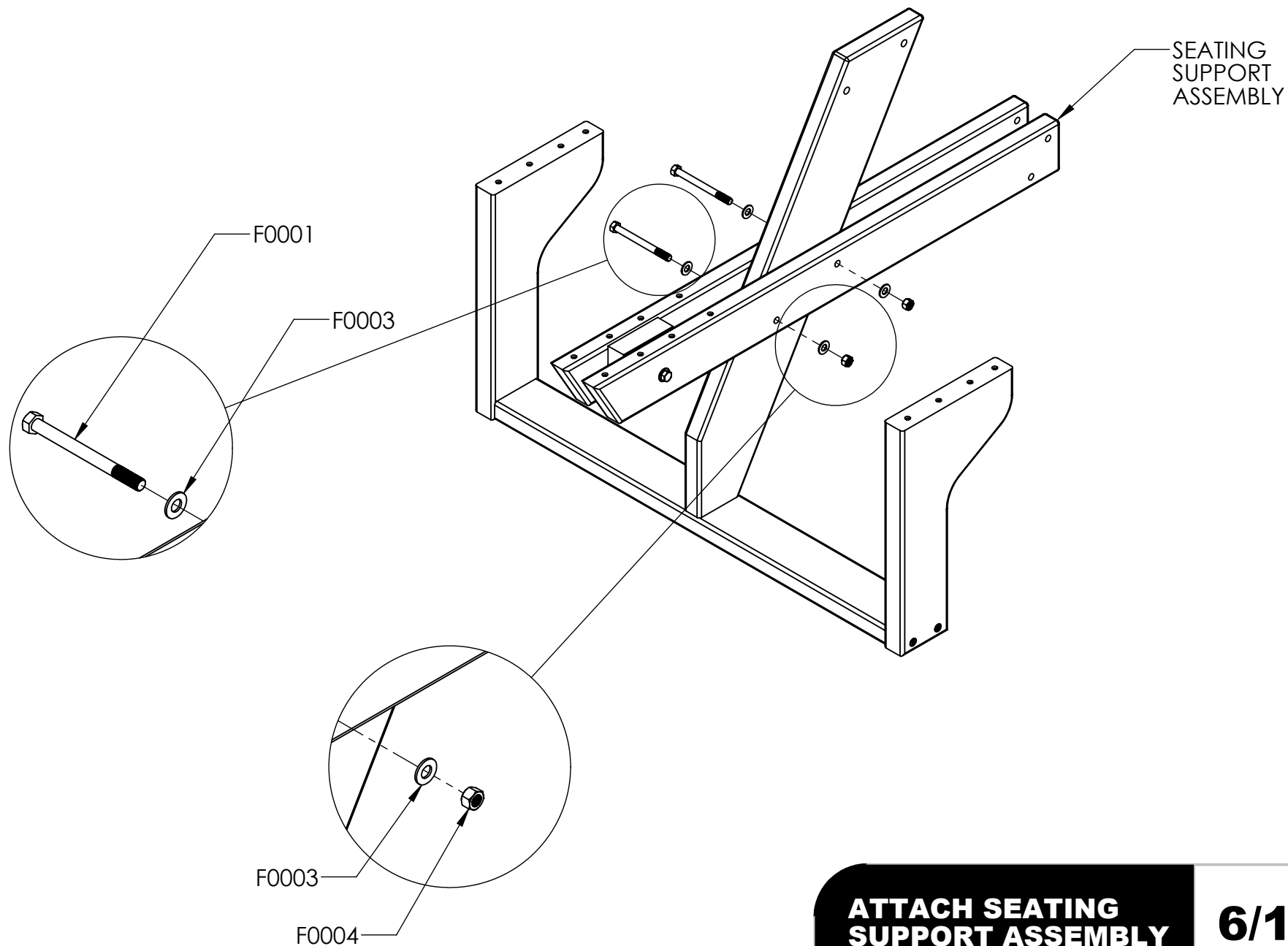


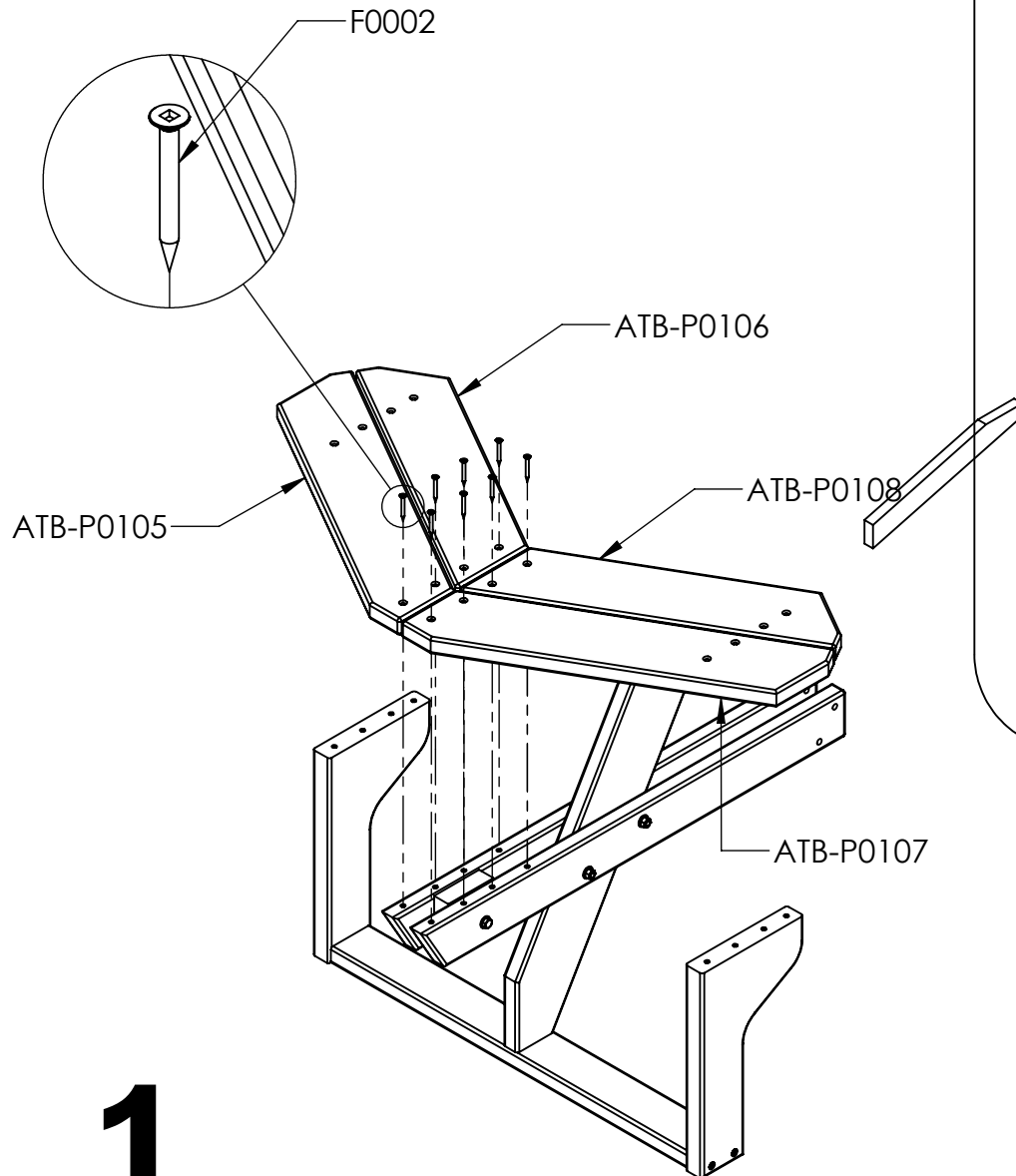
TABLE ASSEMBLY INSTRUCTIONS TB1600



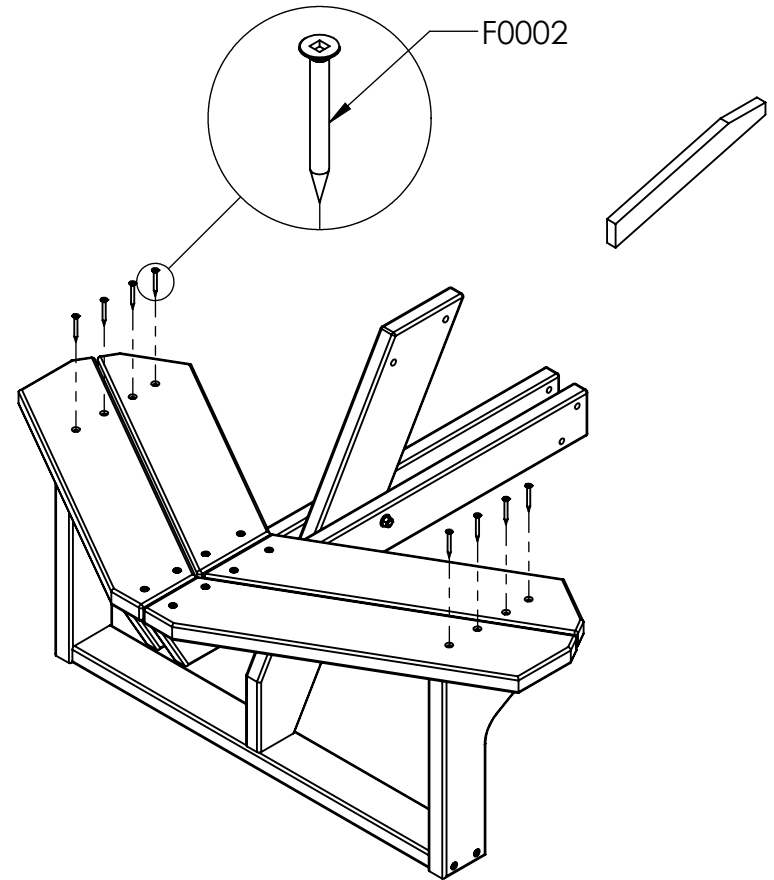
**ATTACH SEATING
SUPPORT ASSEMBLY**

6/10

TABLE ASSEMBLY INSTRUCTIONS TB1600



2

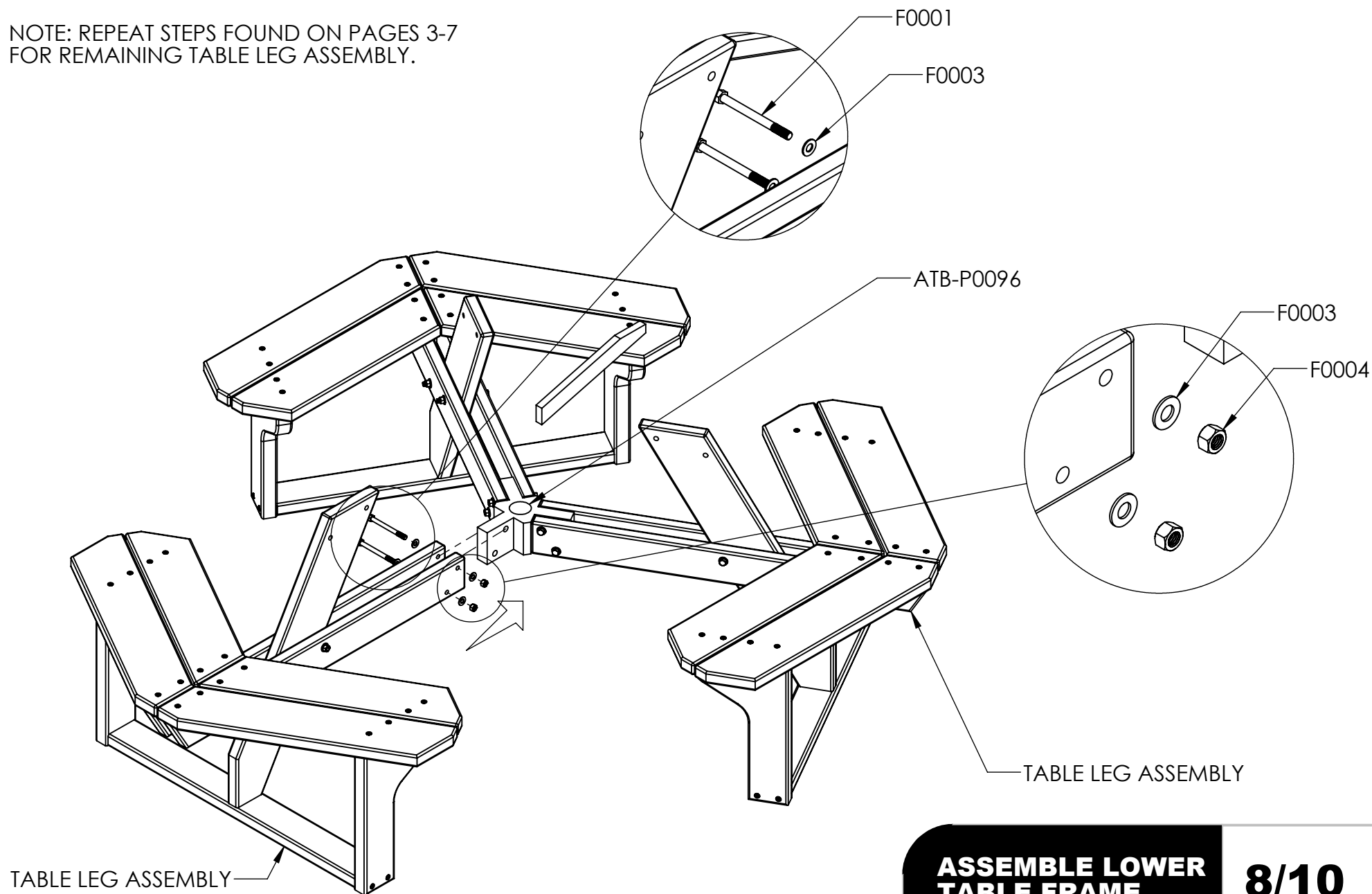


**ATTACH
SEATS**

7/10

TABLE ASSEMBLY INSTRUCTIONS TB1600

NOTE: REPEAT STEPS FOUND ON PAGES 3-7
FOR REMAINING TABLE LEG ASSEMBLY.



**ASSEMBLE LOWER
TABLE FRAME**

8/10

TABLE ASSEMBLY INSTRUCTIONS TB1600

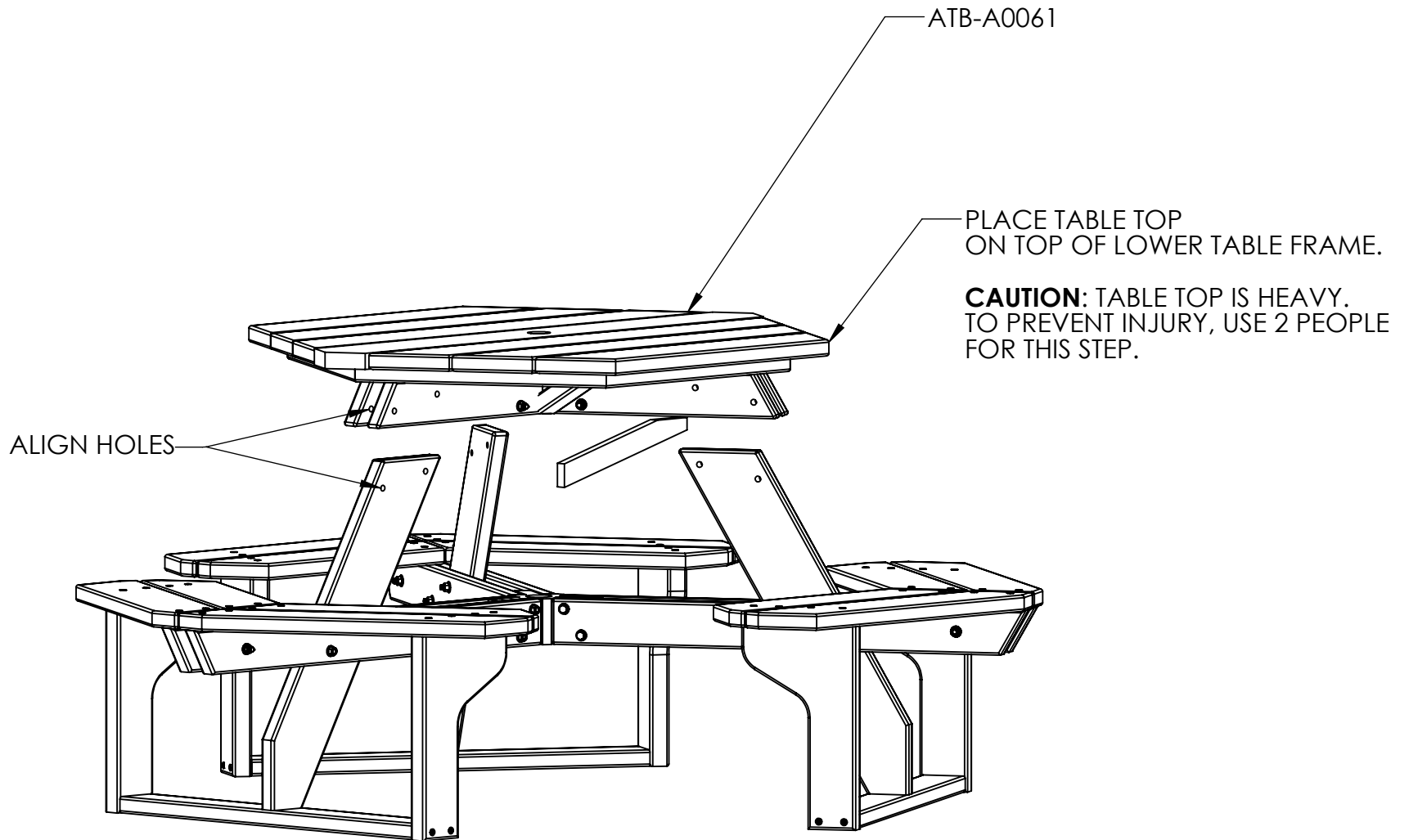
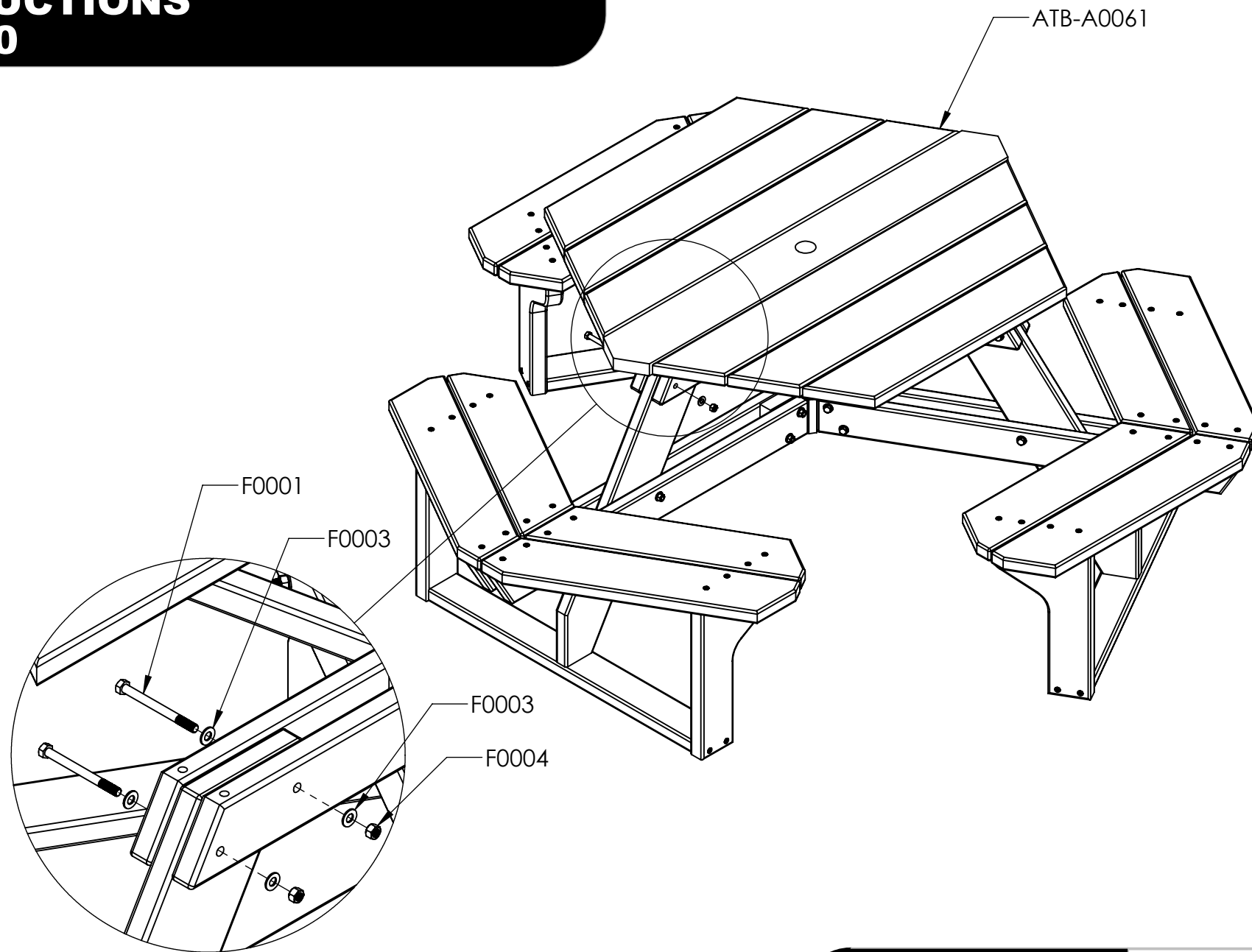


TABLE ASSEMBLY INSTRUCTIONS TB1600

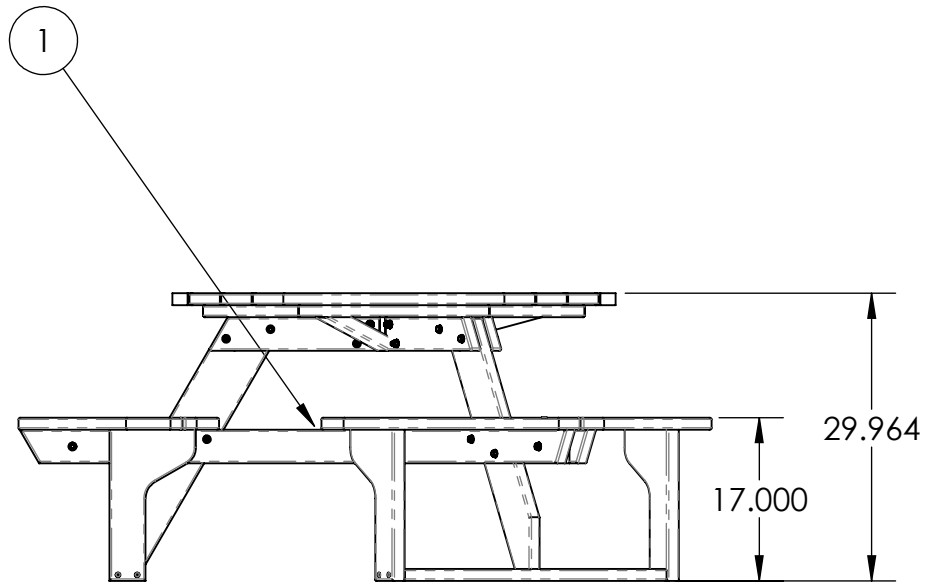


NOTE: SOME COMPONENTS HAVE BEEN REMOVED FOR CLARITY

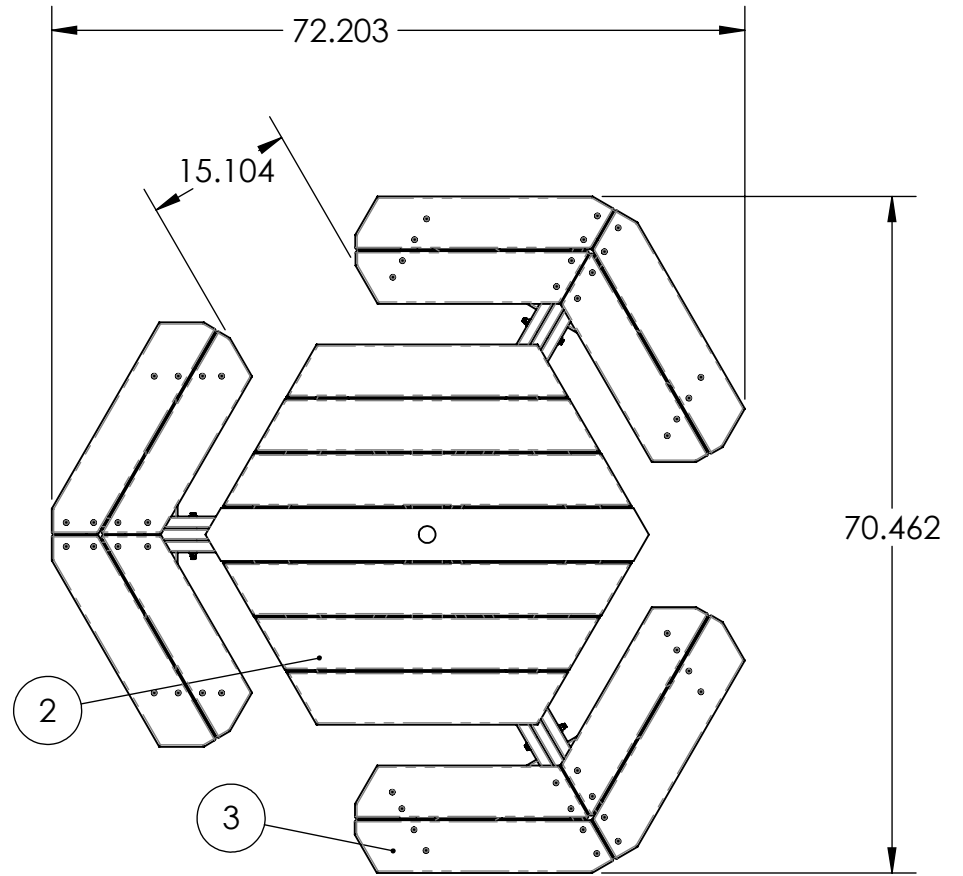
**FASTEN TABLE TOP
TO TABLE FRAME**

10/10

TABLE ASSEMBLY SPECIFICATIONS TB1600



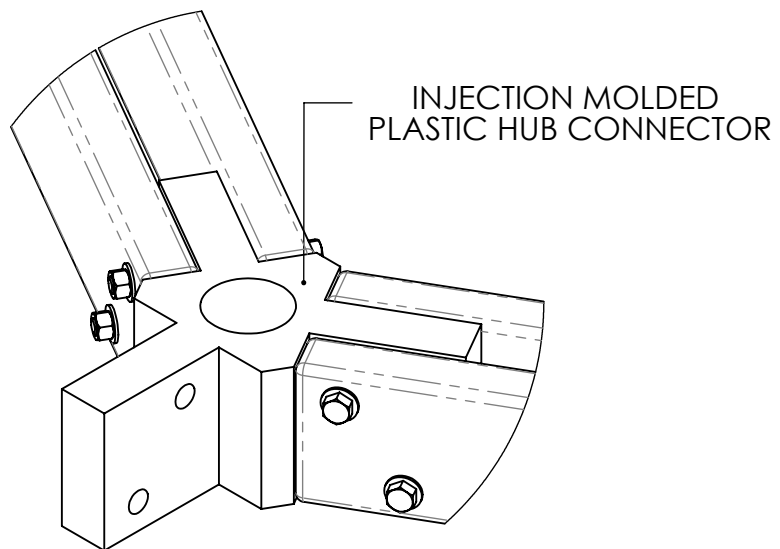
FRONT



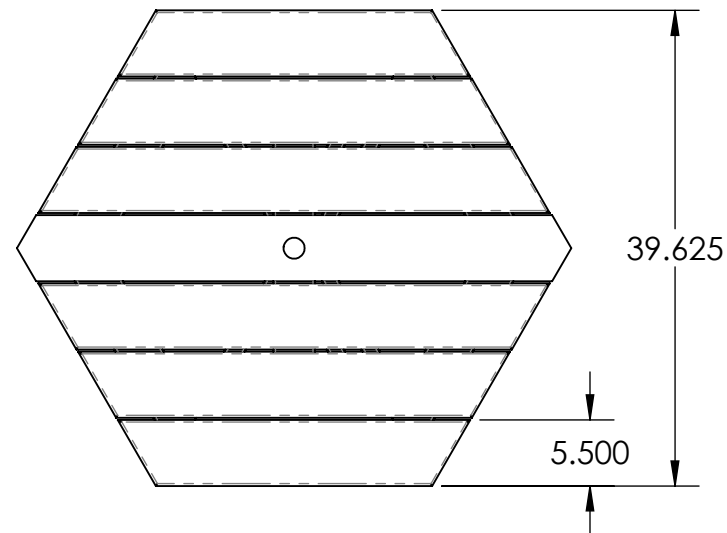
TOP

NOTE: ALL MATERIAL IS RECYCLED PLASTIC LUMBER UNLESS NOTED

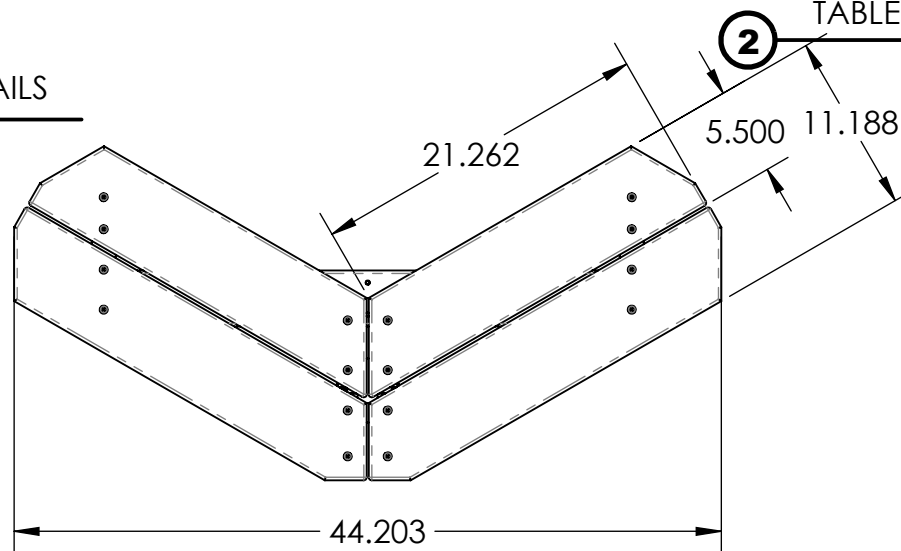
TABLE ASSEMBLY SPECIFICATIONS TB1600



① HUB CONNECTOR DETAILS



② TABLE TOP DETAILS



③ SEAT DETAILS