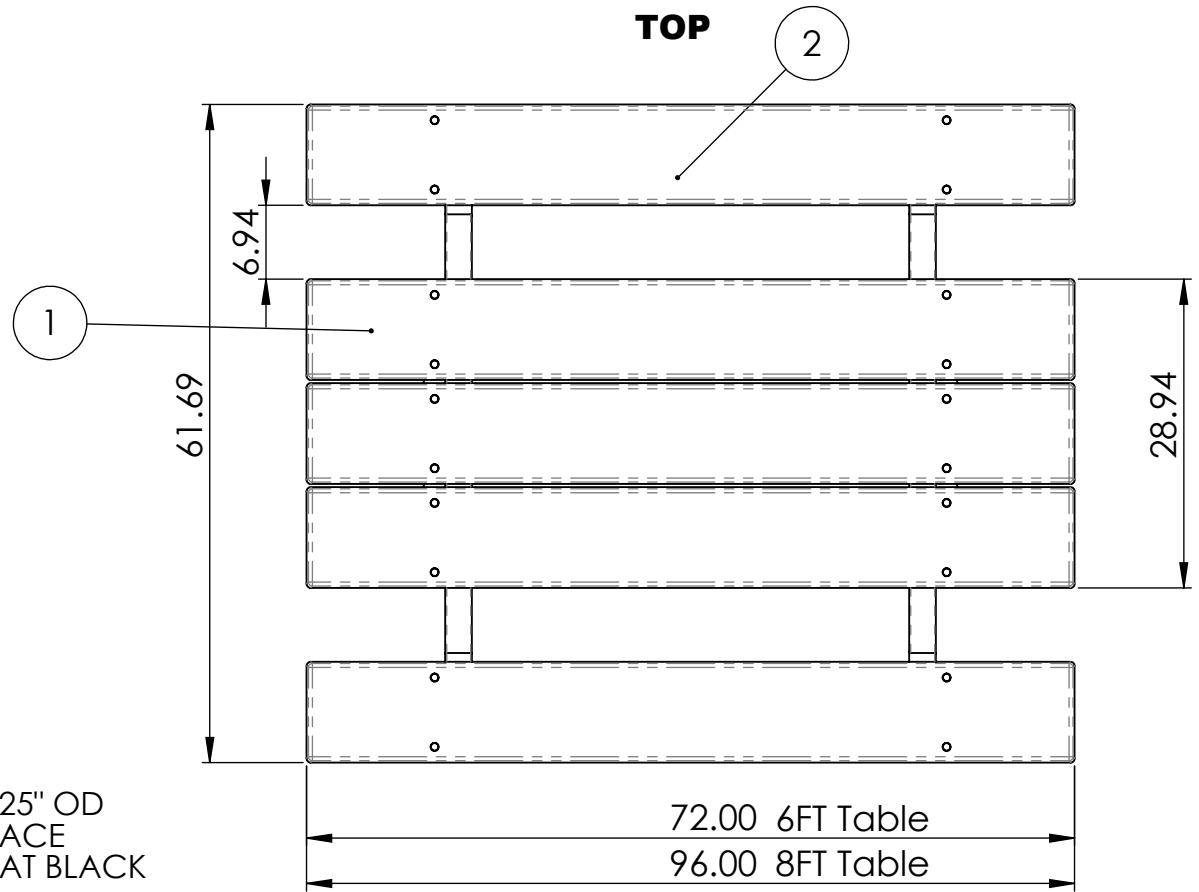


# Walk-Thru Table Specifications

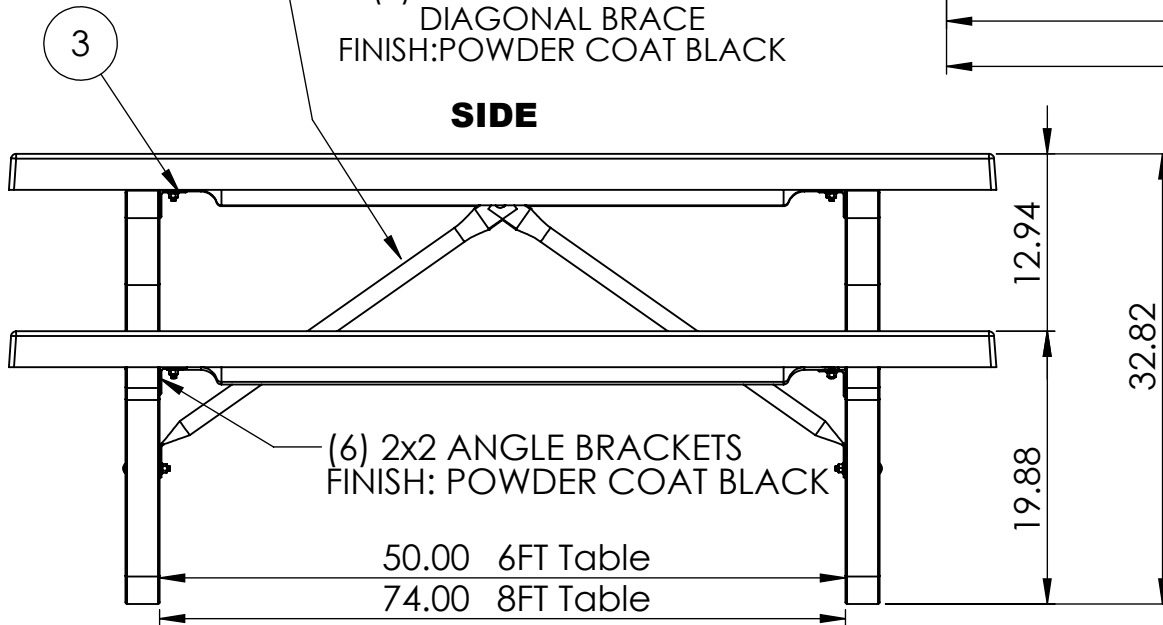
## BM1430 - BM1435

**TOP**



(2) 16 GAUGE X 1.25" OD  
DIAGONAL BRACE  
FINISH: POWDER COAT BLACK

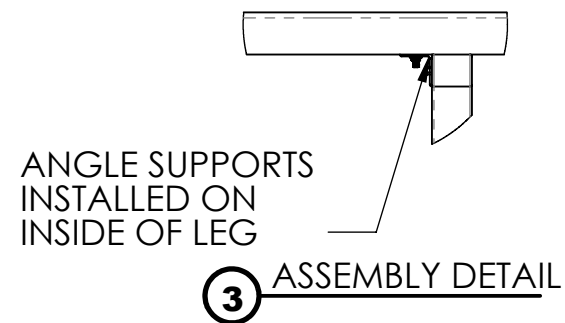
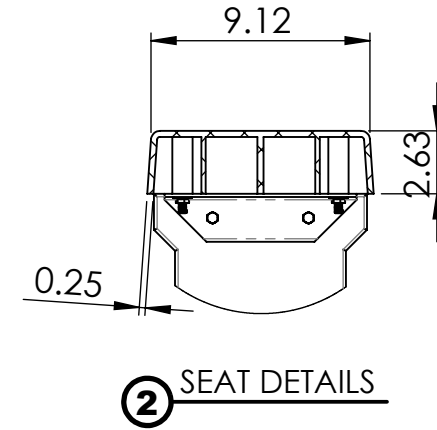
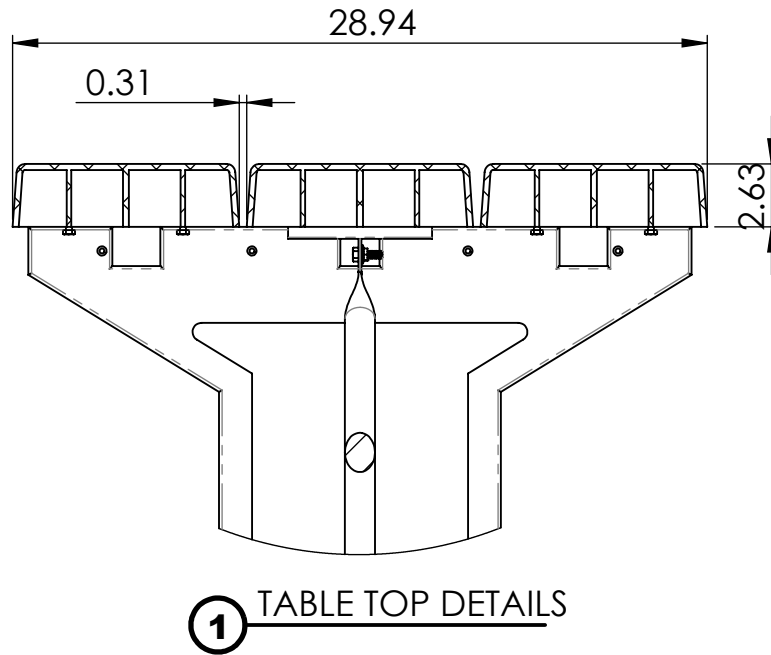
**SIDE**



(6) 2x2 ANGLE BRACKETS  
FINISH: POWDER COAT BLACK

ALL DIMENSIONS ARE SHOWN IN INCHES

# Walk-Thru Table Specifications BM1430 - BM1435



ALL DIMENSIONS ARE SHOWN IN INCHES

HARDWARE: ZINC PLATED  
CONSTRUCTION MATERIALS: POWDER COATED METAL, PLASTIC