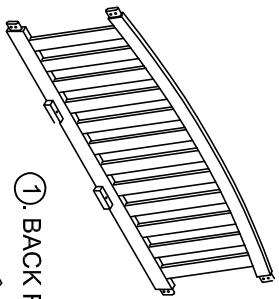
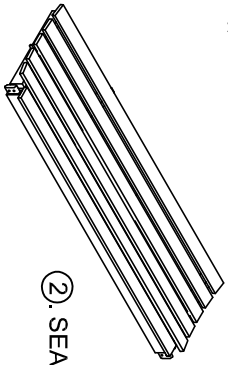


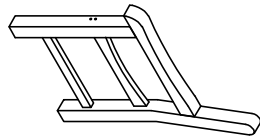
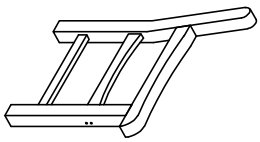
PART LIST



①. BACK FRAME = 1 PC

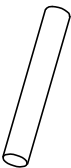


②. SEAT FRAME = 1 PC

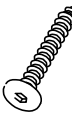


③. SIDE FRAME = 2 PCS (L&R)

HARDWARE LIST



Ⓐ. WOOD DOWEL = 12 PCS



Ⓑ. SCREW = 02 PCS

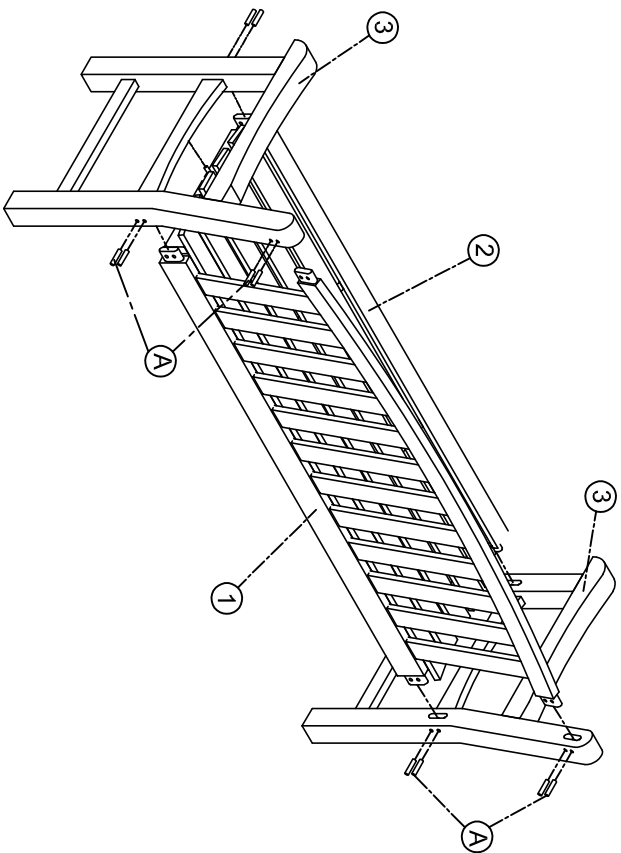
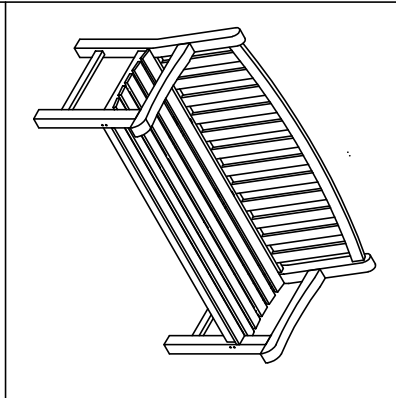


Ⓒ. SCREW = 4 PCS

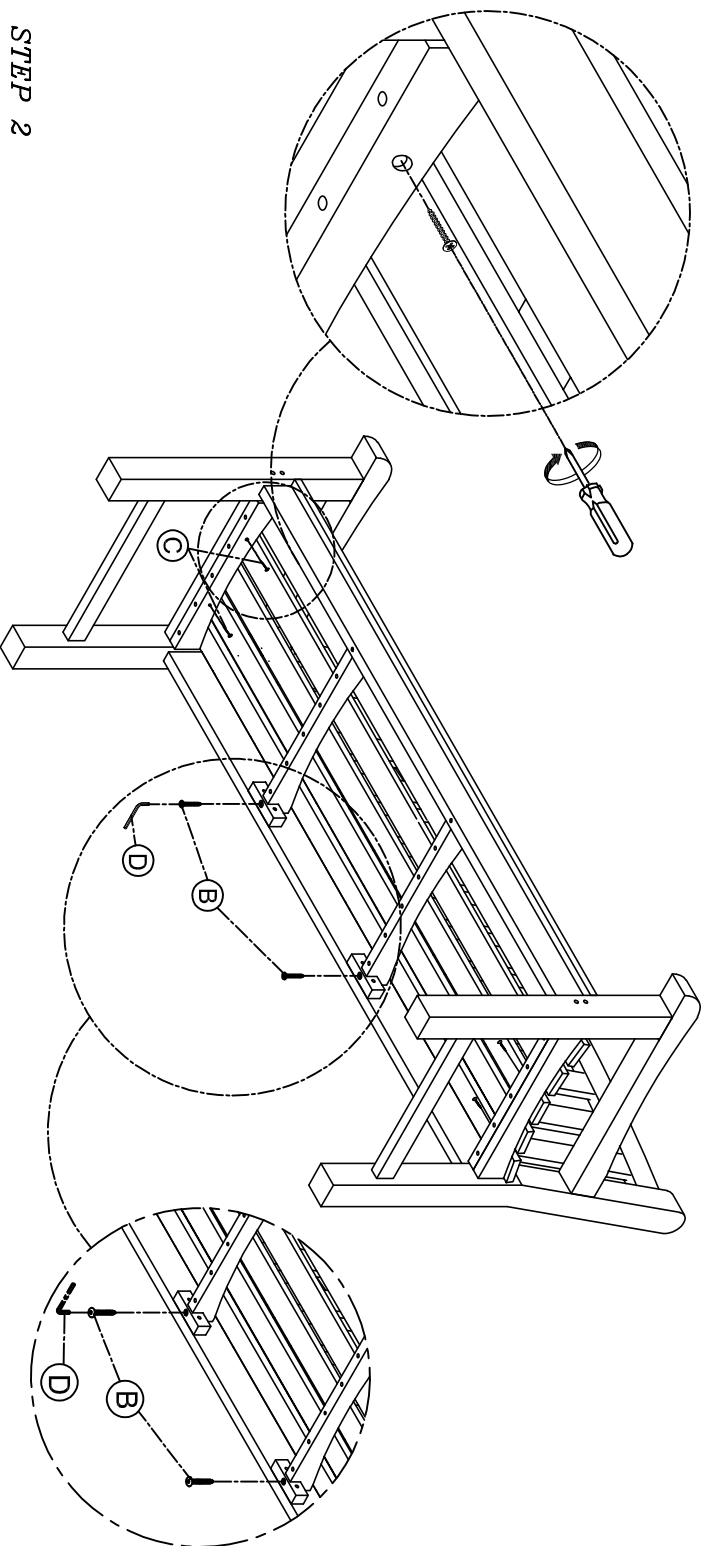


Ⓓ. ALLEN KEY = 1 PC

5ft. Teak Arched Back Bench



STEP 1



STEP 2