

Assembly Instructions

6 FT Inground Bench

Step 1

Attach board to back rest tube using 4-4.5" Carriage Bolts

Step 2

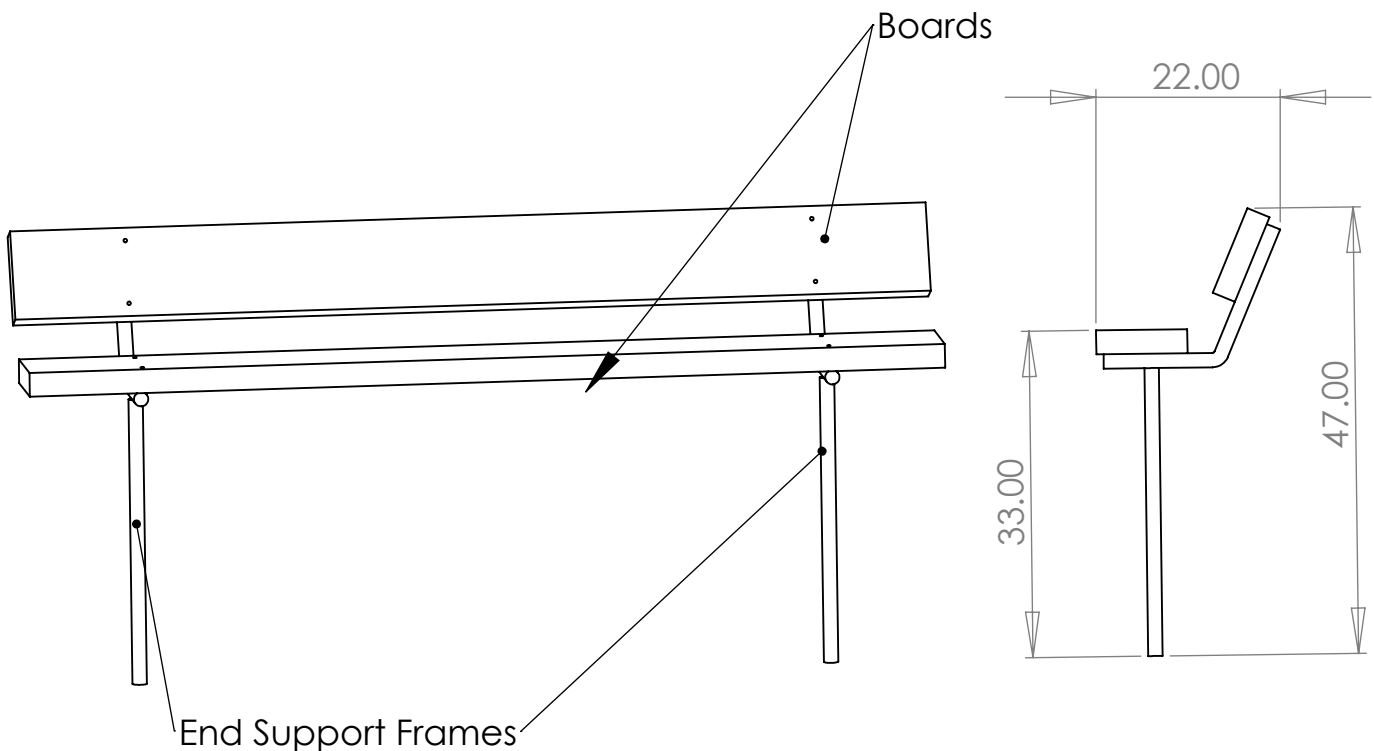
Attach board to seat support tube using 2-4.5" Carriage Bolts

Step 3

Attach 48" brace to bottom of seat tubing using 2-4.5" Carriage Bolts. Square all parts and tighten all hardware.

Step 4

Dig a 16" deep hole x 12" wide x 12" long hole to support your bench with a concrete footer.



Specifications

6 FT Inground Bench

End Support Frame.....14 Gauge x 1.5” OD Tube
Hardware.....Zinc
Frame Finish.....Painted
Frame Weight.....28 lbs
Board Weight.....28 lbs

